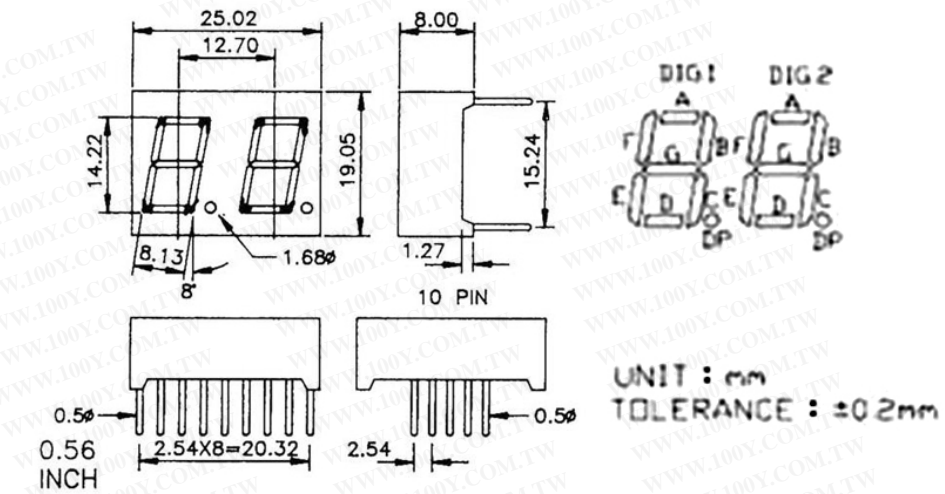
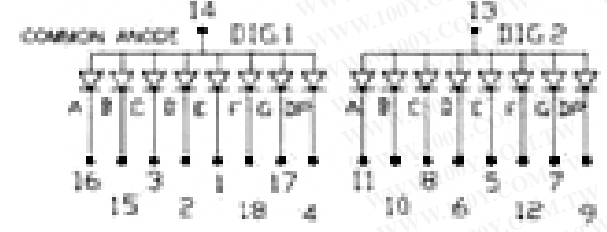


0.56 INCH DUAL DIGITS

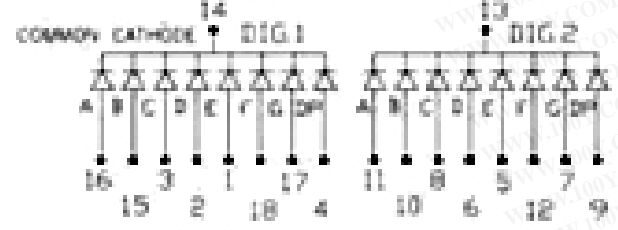
勝特力材料 886-3-5753170
 勝特力电子(上海) 86-21-34970699
 勝特力电子(深圳) 86-755-83298787
[Http://www.100y.com.tw](http://www.100y.com.tw)



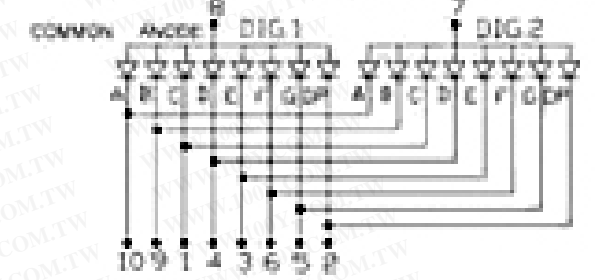
A. AS628H/D/G/Y/RS/SF/3



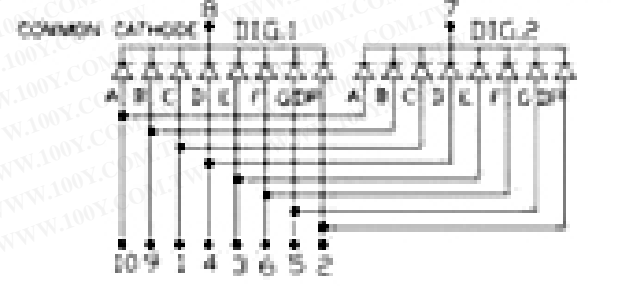
B. CS628H/D/G/Y/RS/SF/3



C. ES628H/D/G/Y/RS/SF/3



D. FS628H/D/G/Y/RS/SF/3



Tester : OPTO Meter Tester : OPTO Meter S370@20mA

PIN FUNCTION	COMMON ANODE			COMMON CATHODE			WAVE	IR MAX	VF	LUMINOUS
	A	C	E	B	D	F	LENGTH	(uA)	(V)	INTENSITY
EMITTING COLOR	MODEL NO.	MODEL NO.	MODEL NO.	MODEL NO.	MODEL NO.	MODEL NO.	(nm)	VR=5V	IF=20mA	IF=20mA
GaP RED	A5628H	E5628H		C5628H	F5628H		695	100	2.2	0.4MCD
GaAsp ORANGE RED	A5628O	E5628O		C5628O	F5628O		635	100	2.0	2.5MCD
GaP GREEN	A5628G	E5628G		C5628G	F5628G		570	100	2.2	4.5MCD
GaP YELLOW	A5628Y	E5628Y		C5628Y	F5628Y		600	100	2.2	2.5MCD
GaAIAS RED	A5628RS	E5628RS		A5628RS	F5628RS		650	100	1.8	3.0MCD
GaAIAS RED										
GaAIAS YELLOW GREEN										
SIC BLUE	A5628FS	E5628FS		C5628FS	F5628FS		470	100	3.6	4.0MCD
ZNSE WHITE	A56283	E56283		C56283	F56283		485+	100	3.0	2.5MCD

勝特力材料 886-3-5753170
 勝特力电子(上海) 86-21-34970699
 勝特力电子(深圳) 86-755-83298787
[Http://www.100y.com.tw](http://www.100y.com.tw)