

V I S I B L E L I G H T P R O D U C T S



(Photo Interrupter)

REV:D
DATE:2007/7/9

☰ **DEVICE NO:HINT-2050**

☰ **FEATURES:**

- Compact package based on the double-mold method.
- High resolution (slit width + 0.4 mm).
- Gap between emitter and detector is 2.0 mm

☰ **APPLICATIONS:**

- Floppy disk drives
- Printers
- CD-ROM

☰ **ABSOLUTE MAXIMUM RATINGS:**

TA=25°C

PARAMETER		SYMBOL	MAX. RATING	UNIT
Input	Continuous Forward Current	IF	50	mA
	Reverse Voltage	VR	5	V
	Power Dissipation	Pd	80	mW
Output	Collector-Emitter Voltage	VCEO	30	V
	Emitter-Collector Voltage	VECO	4.5	V
	Collector Current	Ic	30	mA
	Power Dissipation	Pd	80	mW
Operating Temperature		Topr	-25 ~ +85	°C
Storage Temperature		Tstg	-30 ~ +100	°C
Dip Soldering Temperature (3mm from case Bottom 260 °C for 5 seconds)				

☰ **ELECTRIC-OPTICAL CHARACTERISTICS:**

TA=25°C

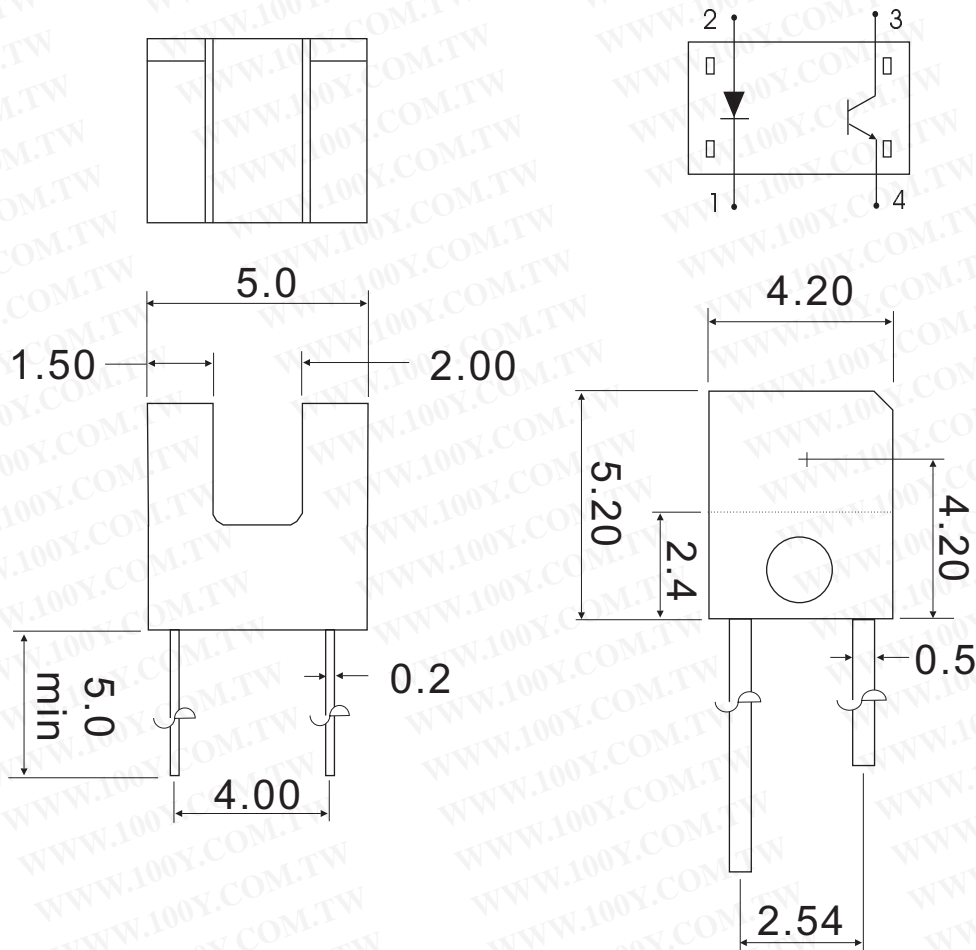
PARAMETER		SYMBOL	TEST CONDITION	MIN	TYP	MAX	UNIT
Input	Forward Voltage *1	VF	IF=50mA		1.30	1.60	V
	Reverse Current	IR	VR=5V			10	μA
Output	Dark Current	Iceo	Vce=10V			0.5	μA
	Peak sensitivity wavelength	λp	----		800		nm
	C-E Saturation Voltage	VCE(sat)	Ic=0.3mA, IF=20mA			0.4	V
Collector Current		Ic	Vce=5V, IF=20mA	0.5			mA
Rise Time		Tr	Vce=5V, IF=20mA		10		μs
Fall Time		Tf	RL=100Ω		10		μs

勝特力材料 886-3-5753170
 勝特力电子(上海) 86-21-54151736
 勝特力电子(深圳) 86-755-83298787
[Http://www.100y.com.tw](http://www.100y.com.tw)

IN F R A R E D P R O D U C T S

(R e f l e c t i v e S e n s o r)

PACKAGE DIMENSIONS:



勝特力材料 886-3-5753170
 勝特力电子(上海) 86-21-54151736
 勝特力电子(深圳) 86-755-83298787
[Http://www.100y.com.tw](http://www.100y.com.tw)

NOTE:

1. All dimensions are in millimeter.
2. Tolerance is ± 0.25 mm unless otherwise specified.
2. Lead spacing is measured where the leads emerge from the package.
3. Specifications are subject to change without notice.

REV	D	DAYE	2007/7/9	DWN	C.Y.LIN	CHK:	Dundee
-----	---	------	----------	-----	---------	------	--------