

勝特力材料 886-3-5753170  
勝特力电子(上海) 86-21-34970699  
勝特力电子(深圳) 86-755-83298787  
[Http://www.100y.com.tw](http://www.100y.com.tw)

## DATA SHEET

PART NO. : EP501AL005W

REV : A/0

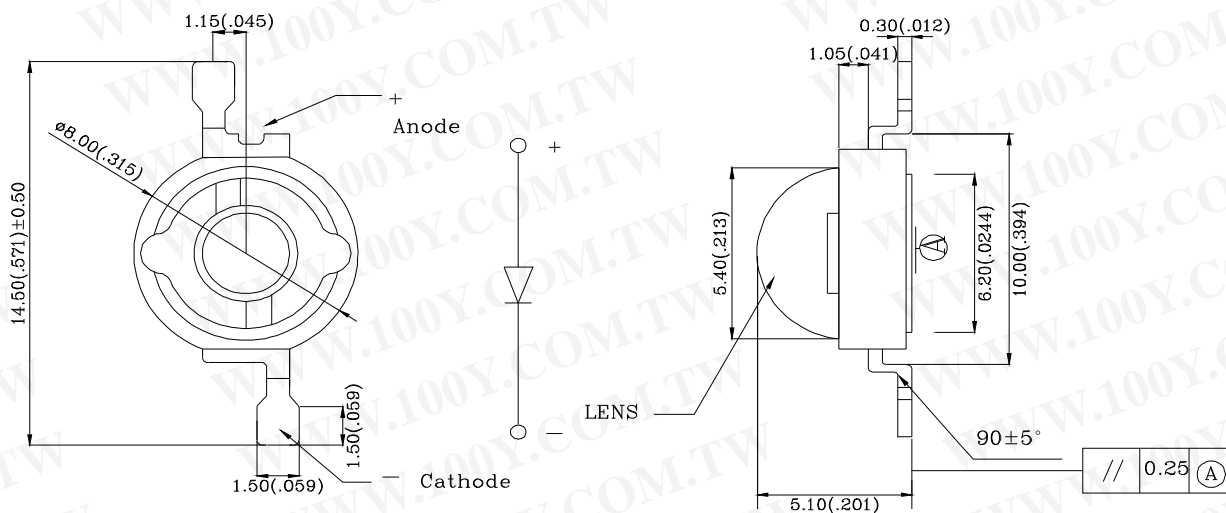
CUSTOMER'S APPROVAL : \_\_\_\_\_ DCC : \_\_\_\_\_

DRAWING NO. : DS-50-10-XXX

DATE : 2010-10-14

Page : 1

### ●Package Dimension



#### Note:

1. All dimensions are in millimeters.
2. Tolerance is  $\pm 0.25\text{mm}$  (.010") unless otherwise noted.

### ●Feature

1. Long operating life.
2. Low voltage DC operated.
3. Instant light (Less than 100NS).
4. RoHS Compliant.
5. Cool beam safe to touch.
6. Compatible to assemble, lead free reflow soldering process.

# Enhance Power LED

EP501AL005W

REV:A/0

## ●Chip Material

1. Dice Material : AlGaInP
2. Light Color : Amber
3. Lens Color : Water Clear

## ●Absolute Maximum Rating(Ta=25°C)

Symbol	Parameter	Rating	Unit
IF	DC Forward Current	350	mA
I <sub>pulse</sub>	Peak Pulse Current (tp ≤ 100us, duty cycle=0.25)	500	mA
VR	Reverse Voltage	5	V
IR	Reverse Current(VR=5V)	50	uA
T <sub>j</sub>	LED Junction Temperature(at IF=350mA)	115	°C
*Topr	Operating Temperature	-30 ~ +100	°C
*Tstg	Storage Temperature	-40 ~ +100	°C
Tsol	Manual Soldering Time at 260°C(Max.)	5	seconds
ESD	ESD Sensitivity (Human Body Model)	2000	V

Note :

\* : Temperature for using with aluminum board.

## ●Electro-Optical Characteristic(Ta=25°C)

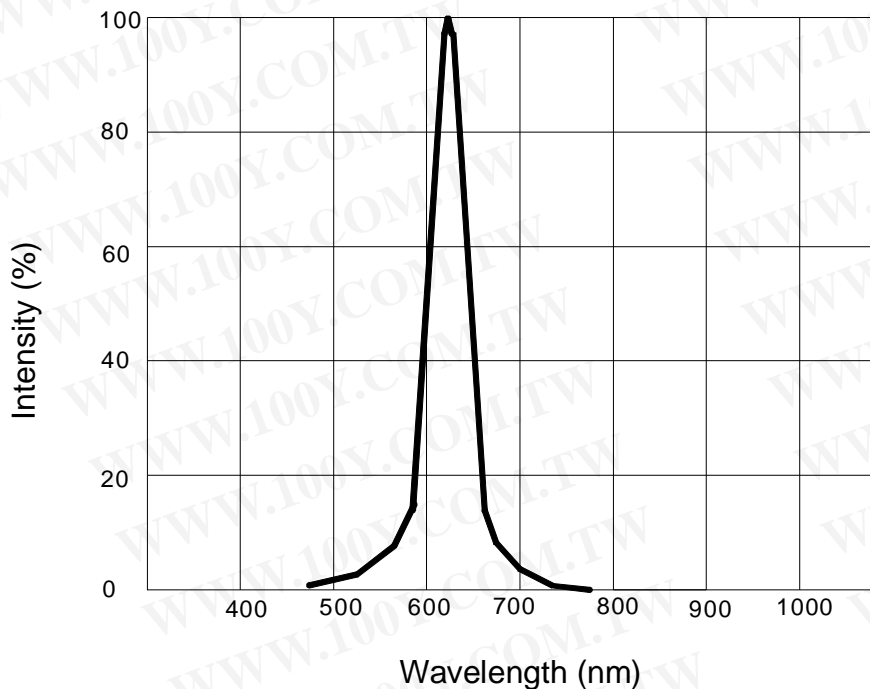
Parameter	Symbol	Min.	Typ.	Max.	Unit	Test Condition
Luminous Flux	IV		40		lm	IF=350mA/000ms
Viewing Angle	2θ1/2		130		deg	
Dominant Wavelength	λ <sub>d</sub>	610		620	nm	IF=350mA
Spectral Line Half-Width	Δλ		18		nm	
Forward Voltage	VF		2.2	2.8	V	IF =350mA
Reverse Current	IR			50	μA	VR = 5V

# Enhance Power LED

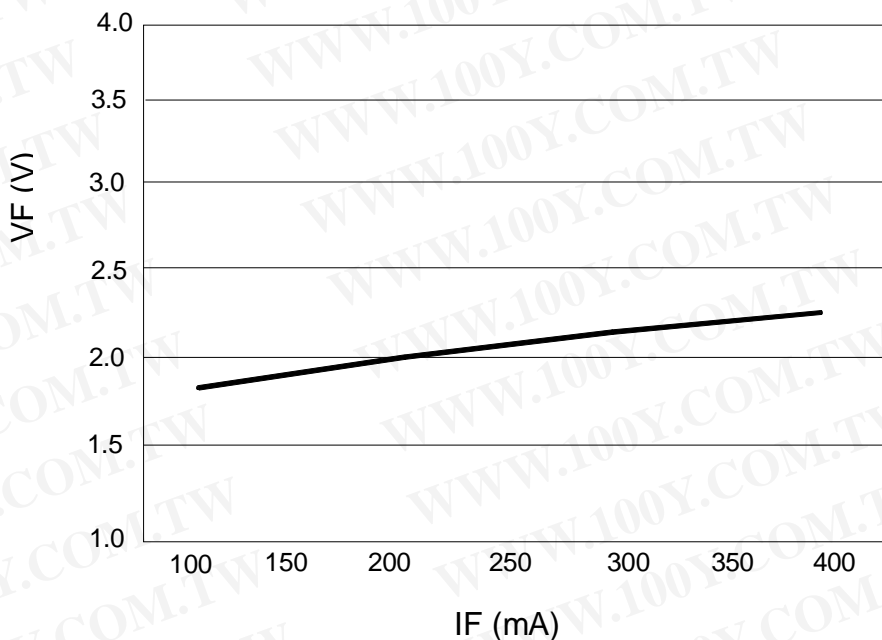
## EP501AL005W

REV:A/0

### ● Typical Optical and Electrical



Relative Intensity VS Wavelength



Forward Current VS Forward Voltage

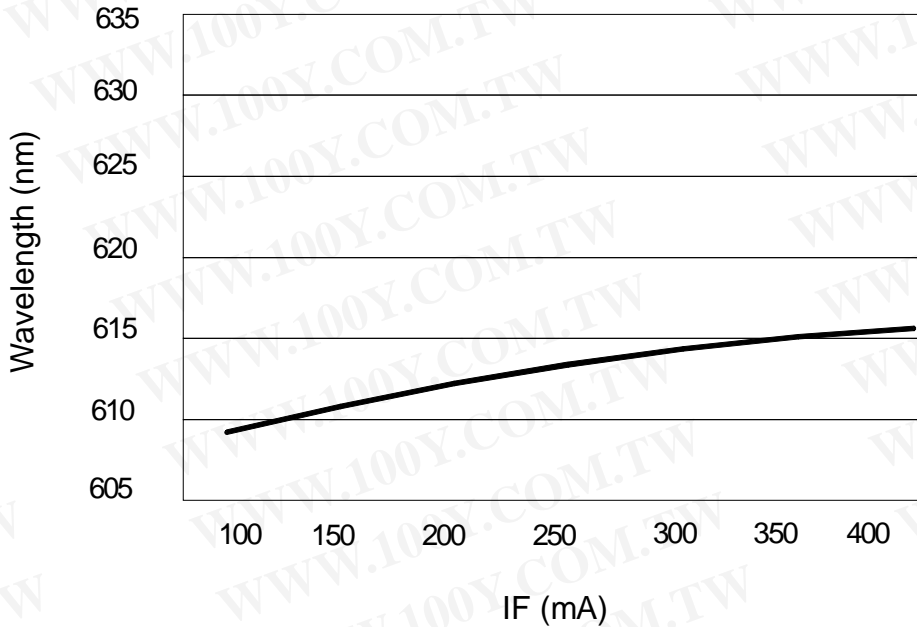
勝特力材料 886-3-5753170  
勝特力电子(上海) 86-21-34970699  
勝特力电子(深圳) 86-755-83298787  
[Http://www.100y.com.tw](http://www.100y.com.tw)

# Enhance Power LED

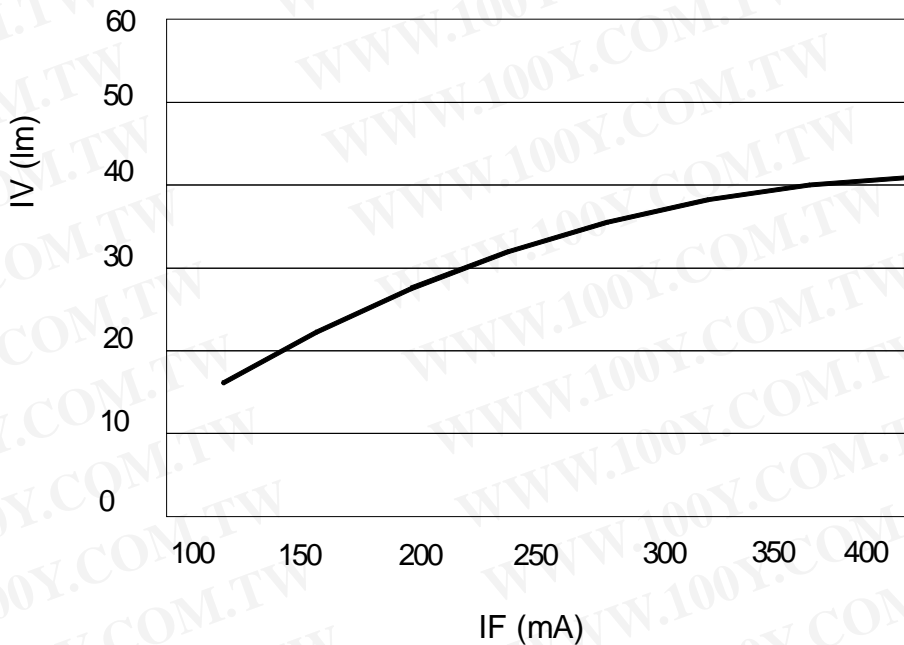
## EP501AL005W

REV:A/0

### •Typical Optical and Electrical



Forward Current VS Wavelength



Forward Current VS Luminous Flux

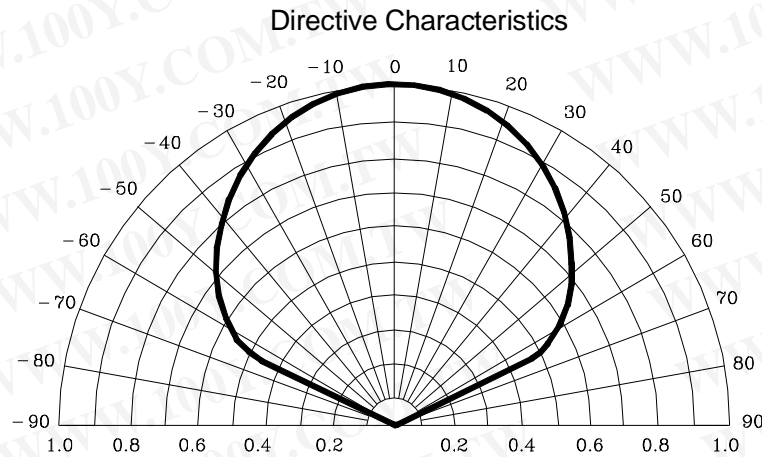
勝特力材料 886-3-5753170  
 勝特力电子(上海) 86-21-34970699  
 勝特力电子(深圳) 86-755-83298787  
[Http://www.100y.com.tw](http://www.100y.com.tw)

# Enhance Power LED

EP501AL005W

REV:A/0

## ●Typical Optical and Electrical



## ●Bin Code List

Luminous Flux (IV),(Unit: lm ,IF=350mA)		
Bin Code	Min	Max
H	33	39
I	39	45
J	45	52
K	52	60
L	60	70

Including test tolerance  $\pm 10\%$

Forward Voltage(VF),(Unit: V, IF=350mA)		
Bin Code	Min	Max
V2	1.8	2
V3	2	2.2
V4	2.2	2.4
V5	2.4	2.6
V6	2.6	2.8

Including test tolerance  $\pm 0.1V$

勝特力材料 886-3-5753170  
 勝特力电子(上海) 86-21-34970699  
 勝特力电子(深圳) 86-755-83298787  
[Http://www.100y.com.tw](http://www.100y.com.tw)

# Enhance Power LED

## EP501AL005W

REV:A/0

Dominant Wavelength (Hue),(Unit: nm, IF=350mA)		
Bin Code	Min	Max
A1	610	615
A2	615	620

Including±2nm test tolerance

### ●Label Explanation

P/N: EP501AL005W  
 QTY: XXXX PCS  
 LOT NO.: LEM1001001  
 BIN NO.: H/V4

PART NO: EP501AL005W

LOT NO: L E M 10 1 001  
           A B C D E F

- A---L: Local    F: Foreign
- B---E: E-power
- C---M: For series number
- D---Year
- E---Month
- F---Spec.

BIN NO: Bin Code

### ●Caution

(1).Handling note: Do not touch LED's lens.



# Enhance Power LED

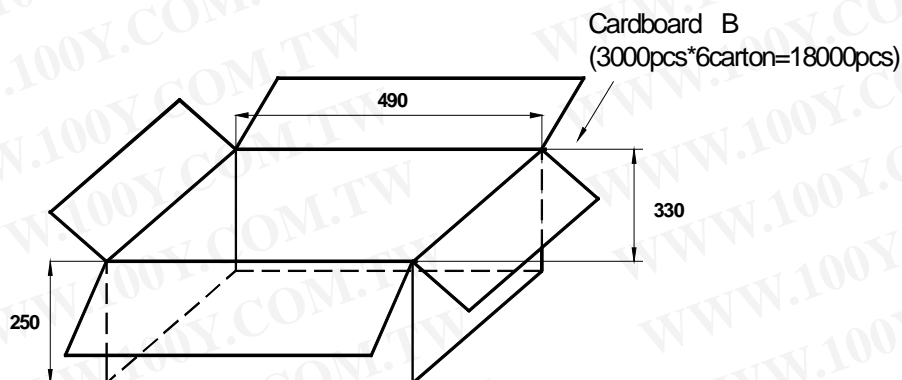
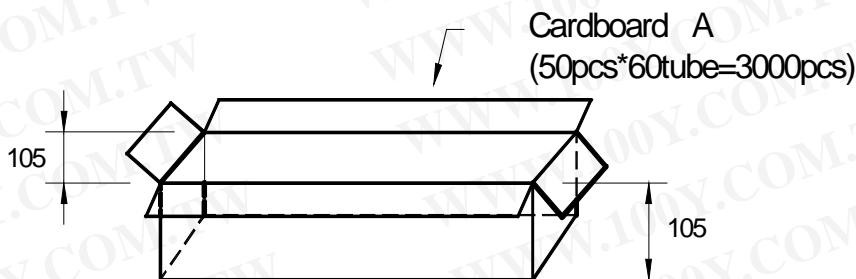
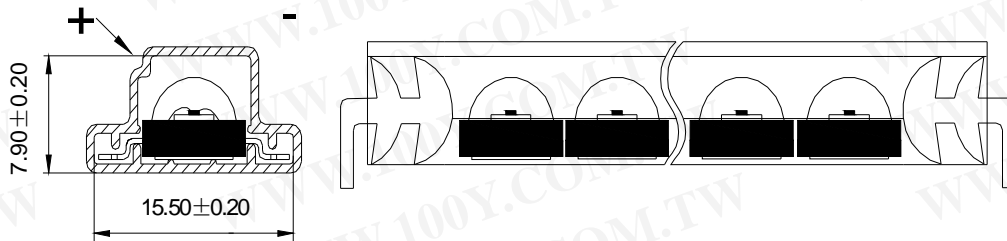
## EP501AL005W

REV:A/0

(2) Please wear anti-static wrist strap and gloves to prevent ESD damage when handling.



### ●Packing Specification



#### Note:

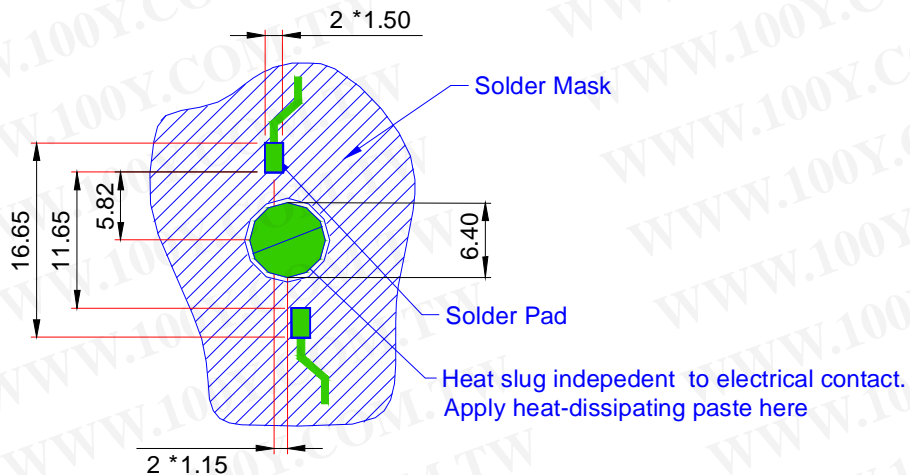
1. All dimensions are in millimeters.
2. Normal packing Quantity: 3000 pcs.
3. The carton B contains 6 cartons A at maximum.

# Enhance Power LED

EP501AL005W

REV: A/0

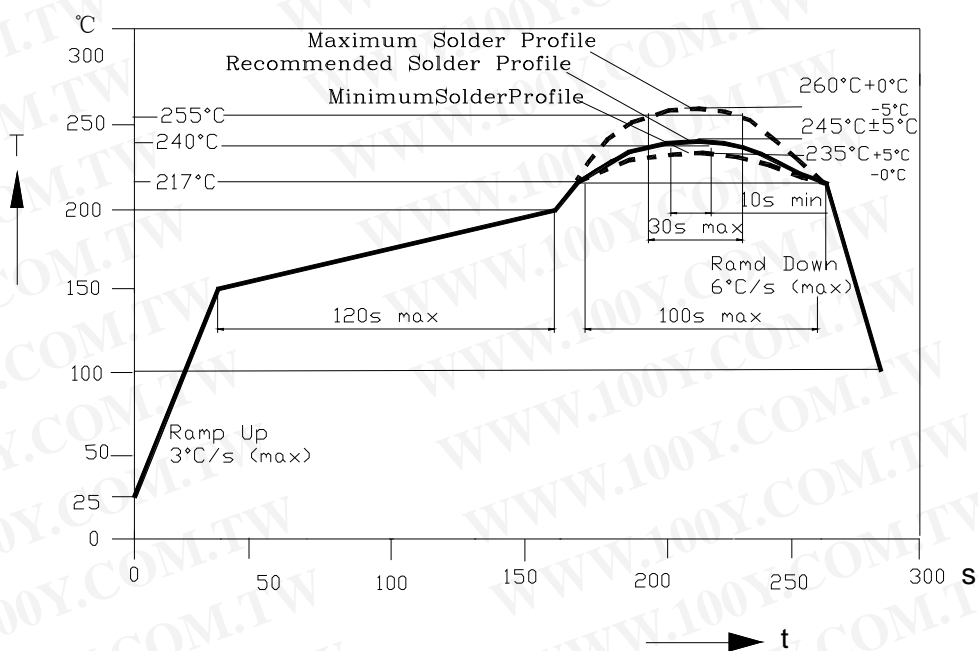
## ●Suggest Soldering Pad Dimension



### Note:

1. All dimensions are in millimeters.
2. The drawings are not to scale.
3. Solder pad can't be connected to slug.

## ●IR Reflow soldering profile for lead free soldering(J-STD-020C)



### ●Storage

1. Do not open the moisture proof bag before the devices are ready to use.
2. Before the package is opened, LED should be stored at temperatures less than 30°C and humidity less than 50%.
3. LED may be stored for 6 months. When the storage time has reached more than 6 months, LED should be stored in a sealed container filled with Nitrogen gas.
4. After the package is opened, LED should be stored at temperatures less than 30°C and humidity less than 30%.
5. LED should be used within 168 hours (7 days) after the package is opened.
6. Before using LED, baking treatment should be implemented based on the following condition: pre-curing at 60±5°C for 24 hours.

### ●E-Power Operating Procedure

1. E-power 350 series products should be operated at 350 mA for ideal performance, but not more than 350mA.
2. E-power 350 series products must be used in conjunction with heat-sinking devices. Soldering on Al PCB with mid-connection point while keeping the layout pattern ( $\varnothing$  19.9mm, thickness 2.5mm) is another way to help heat dissipation. Thermal Resistance for aluminum board must be less than 0.65 °C/W.
3. E-power 350 series products are sensitive to static. Operators must wear static wristband (wireless static wristband is prohibited) and be well grounded while working in the environment with an ionizing air blower. Anti-static requirement should be under ESD 2000V.
4. A non-conductive heat-dissipating paste should be applied between E-power and heat-sinking device.
5. Sufficient thermal management must be applied. Large LED forward current will cause high junction temperature and reduce LED life.

# Enhance Power LED

EP501AL005W

REV:A/0

## ●Reliability Test

Test Item	Test Condition	Stress Duration
Reflow	Tsol=260°C,10sec	3 times
Temperature Cycle	H:+100±5°C 15mins L: -40±5°C 15mins	300 Cycles
High Temperature High Humidity Operation	Ta=85°C±5°C RH= 90~95% IF=350mA	500 hours
High Temperature High Humidity Storage	Ta:65°C±5°C RH:90~95%RH	1000hours
Room Temperature Operation	Ta= 25±5°C IF =350mA	1000hours
Low Temperature Operation	Ta= -40±5°C IF=350mA	1000hours
High Temperature Operation	Ta= 110±5°C IF=350mA	1000hours
Salt Spray	Ta=35°C	48 hours

Temperature for using with aluminum board, in a good thermal-exchange surrounding.

Failure Criteria:

1. LED are open or shorted,
2. Luminous flux attenuate difference(1000hours)> 30%,
3. Forward voltage difference(1000hours) >20%.

勝特力材料 886-3-5753170  
 勝特力电子(上海) 86-21-34970699  
 勝特力电子(深圳) 86-755-83298787  
[Http://www.100y.com.tw](http://www.100y.com.tw)

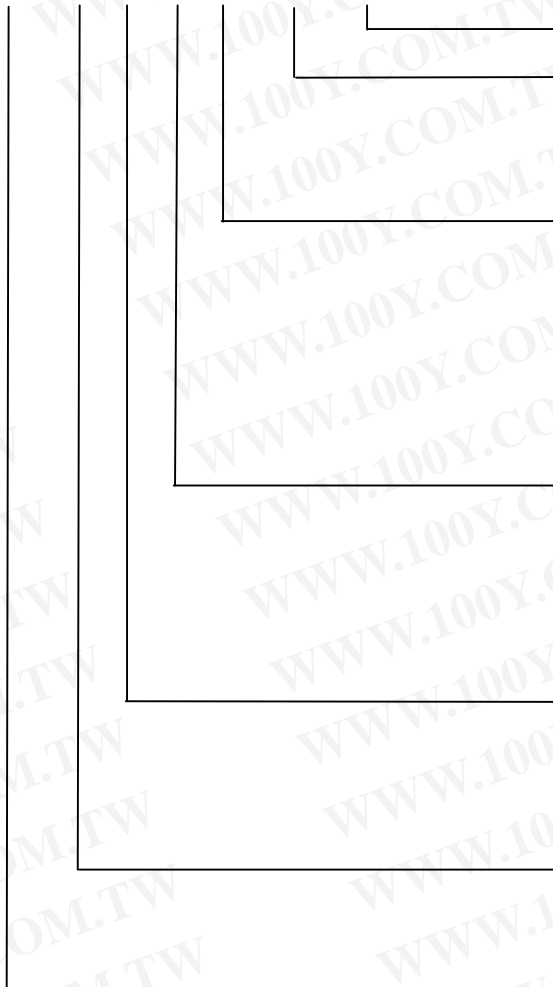
# Enhance Power LED

EP501AL005W

REV:A/0

## ● Part NO. System of E-Power LED

EP 5 01 A L 005 W



Special mark: W:white, B:black

Series Number

View Angle:

2: 2\*5=10°                      L: L\*5=130°  
 3: 3\*5=15°                      M: M\*5=160°  
 6 : 6\*5=30°  
 C: C\*5=60°

R1:  $\lambda d = 625\text{nm}$       Y1:  $\lambda d = 590\text{nm}$   
 G1:  $\lambda d = 525\text{nm}$       B1:  $\lambda d = 460\text{nm}$   
 IR:  $\lambda d = 850\text{nm}$       A1:  $\lambda d = 615\text{nm}$   
 W1: White                  WY: Warm white

Power:

01—1W , 03—3W , 05—5W,.....  
 0A-100W

PCB material:

1—Al, 2—silicon, 3—Fe, 4—chinaware,  
 5—Cu

EP: Enhance Power