

JOINSCAN LEDs

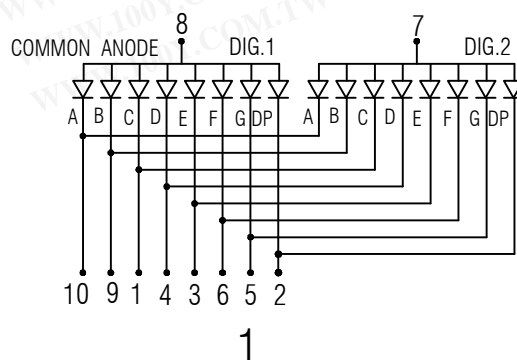
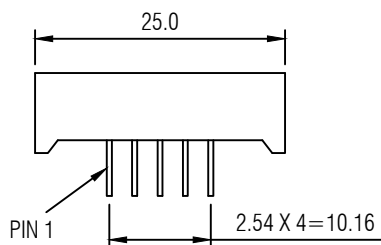
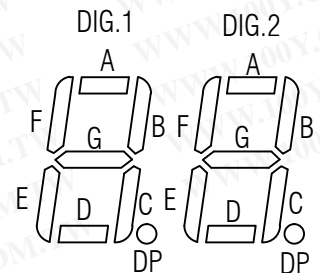
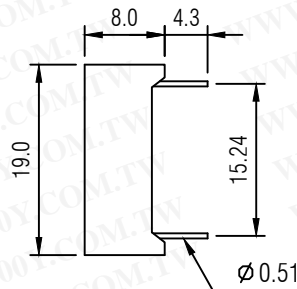
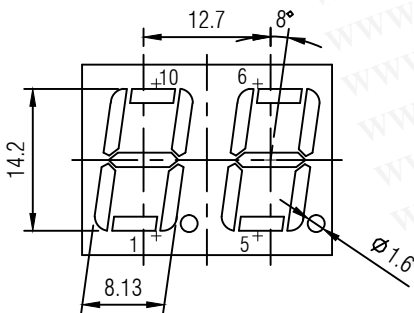
E5628G	0.56 INCH DUAL DIGIT STANDARD GREEN COMMON ANODE		
SURFACE COLOR	BLACK SURFACE WHITE SEGMENT		GRAY SURFACE WHITE SEGMENT
MOLDE NO.	E5628G - BW		E5628G - GW
EMITTING COLOR	GREEN		
DICE	GaP		

ABSOLUTE MAXIMUM RATINGS (最大極限值) TA = 25°C

PARAMETER	SYMBOL	RATING	UNIT
POWER DISSIPATION	P AD	55.0	mW
DERATING LINEAR FROM 25°C		0.27	m/°C
CONTINUOUS FORWARD CURRENT	I AF	25.0	mA
PEAK FORWARD CURRENT (DUTY CYCLE 1/10, 10KHZ)	I PF	90.0	mA
REVERSE VOLTAGE	V R	5.0	V
OPERATING TEMPERATURE	T OPR	-25°C TO + 85°C	
STORAGE TEMPERATURE	T STG	-25°C TO + 85°C	
SOLDER TEMPERATURE 1/16 INCH BELOW SEATING PLANE FOR 5 SECONDS AT 250°C			

ELECTRO - OPTICAL CHARACTERISTICS (電性) TA = 25°C

PARAMETER	SYMBOL	CONDITION	MIN	TYP	MAX	UNIT
FORWARD VOLTAGE	V F	I F = 20mA	—	2.2	—	V
LUMINOUS INTENSITY	I V	I F = 20mA	—	4.5	—	mcd
PEAK EMISSION WAVELENGTH	λP	I F = 20mA	—	570	—	nm
REVERSE CURRENT	I P	I F = 5mA	—	—	100	μA



勝特力材料 886-3-5753170
 勝特力电子(上海) 86-21-34970699
 勝特力电子(深圳) 86-755-83298787
[Http://www.100y.com.tw](http://www.100y.com.tw)

UNIT : mm
 TOLERANCE : ± 0.2 mm
 Amended Date :
 2003 / OCT / 21 / 17 : 45
 A