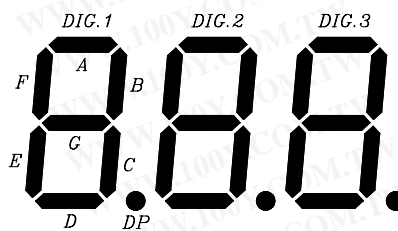
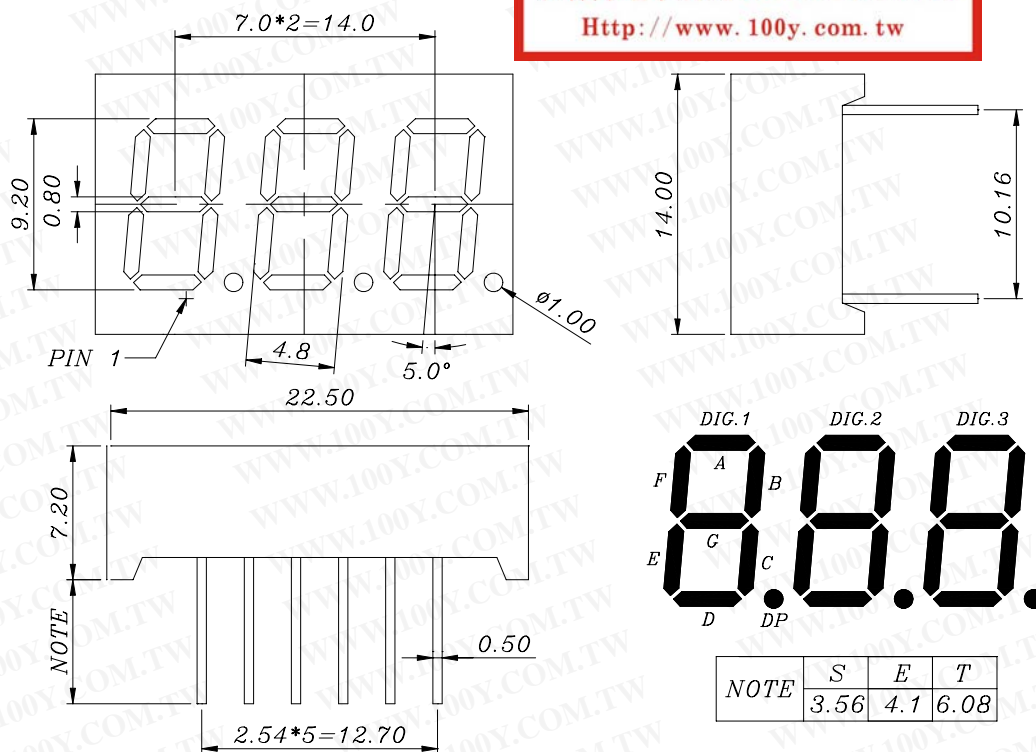
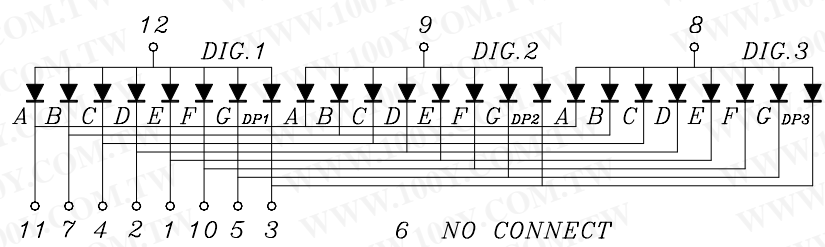


Package Dimensions



NOTE	S	E	T
	3.56	4.1	6.08



1. CATHODE E
2. CATHODE D
3. CATHODE DP1, DP2, DP3
4. CATHODE C
5. CATHODE G
6. NO CONNECT
7. CATHODE B
8. COMMON ANODE DIG.3
9. COMMON ANODE DIG.2
10. CATHODE F
11. CATHODE A
12. COMMON ANODE DIG.1

Notes:

1. All dimensions are in millimeters (inches).
2. Tolerance is  $\pm 0.30\text{mm}(.010\text{'})$  unless otherwise noted.
3. Protruded resin under flange is 1.0mm(.04") max.
4. Lead spacing is measured where the leads emerge from the package.
5. Specifications are subject to change without notice.

## Electrical / Optical Characteristics at TA=25°C

Parameter	Symbol	Min.	Typ.	Max.	Unit	Test Condition
Average Luminous Intensity	IV	7	10		mcd	IF = 20mA
Peak Emission Wavelength	$\lambda P$		660		nm	IF = 20mA
Dominant Wavelength	$\lambda d$	635	639	650	nm	IF = 20mA
Spectral Line Half-Width	$\Delta \lambda$		20		nm	IF = 20mA
Forward Voltage, any Segment or D..P.	VF		1.9	2.4	V	IF = 20mA
Reverse Current, any Segment or D..P	IR			100	$\mu A$	VR = 5V
Luminous Intensity Matching Ratio	Iv-m			2:1		IF = 20mA

## Absolute Maximum Ratings at TA=25°C

Parameter	Maximum Rating	Unit
Power Dissipation	45	mW
Peak Forward Current (1/10 Duty Cycle, 0.1ms Pulse Width)	90	mA
Continuous Forward Current	20	mA
Reverse Voltage	5	V
Operating Temperature Range	-20°C to + 80°C	
Storage Temperature Range	-55°C to + 100°C	
Lead Soldering Temperature [1.6mm(.063") From Body]	260°C for 5 Seconds	

勝特力材料 886-3-5753170  
 勝特力电子(上海) 86-21-34970699  
 勝特力电子(深圳) 86-755-83298787  
[Http://www.100y.com.tw](http://www.100y.com.tw)

 TYPICAL ELECTRON-OPTICAL CHARACTERISTIC CURVES  
 25°C Free Air Temperature Unless Otherwise Specified
