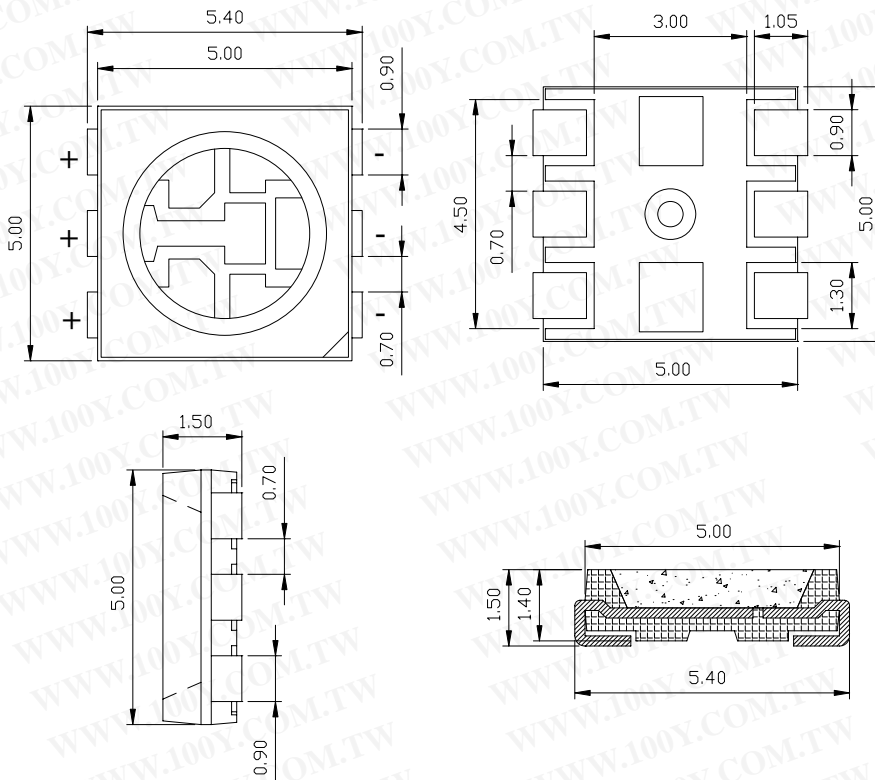


■ Features:

勝特力材料 886-3-5753170
勝特力电子(上海) 86-21-34970699
勝特力电子(深圳) 86-755-83298787
[Http://www.100y.com.tw](http://www.100y.com.tw)

1. Low power consumption
2. High efficiency
3. Reliable and rugged
4. Chip Material: InGaN
5. Lens Color: Water Clear
6. Source Color: Super Red

■ Outline Dimensions:



Note :

1. All dimensions are in millimeters (inches)
2. Tolerance is $\pm 0.25\text{mm}$ (.010") unless otherwise noted
3. Protruded resin under flange is 1.0mm (.04") max.
4. Lead spacing is measured where the leads emerge from the package.
5. Specifications are subject to change without notices.

■ **Absolute Maximum Ratings at Ta=25°C:**

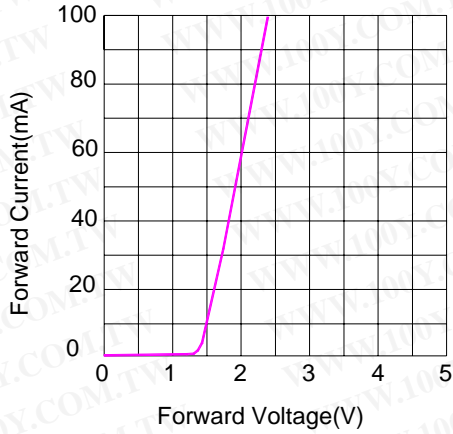
Parameter	Maximum	Unit
Power Dissipation	225	mW
Peak Forward Current (1/10 Duty Cycle,0.1ms Pulse Width)	100	mA
Continuous Forward Current	90	mA
Derating Linear From 50°C	0.5	mA/°C
Reverse Voltage	5	V
Operating Temperature Range	-40°C to +100°C	
Storage Temperature Range	-40°C to +100°C	
Lead Soldering Temperature [4mm(0.175") from body]	260°C for 5 Seconds	

■ **Electrical/Optical Characteristics at Ta=25°C:**

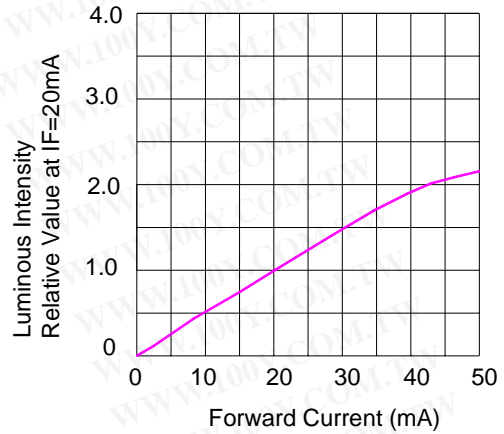
Parameter	Symbol	Test Condition	Min.	Typ.	Max.	Unit
Luminous Intensity	I_v	$I_F=60mA$	1300	1500	1850	mcd
Viewing Angle	$2\theta_{1/2}$	$I_F=60mA$		120		deg
Forward Voltage	V_F	$I_F=60mA$	1.8	2.0	2.4	V
Reverse Current	I_R	$V_R=5V$	-	-	10	uA
Dominant Wavelength	λ_d	$I_F=60mA$	620	-	630	nm

■ Typical Electro-Optical Characteristics Curves

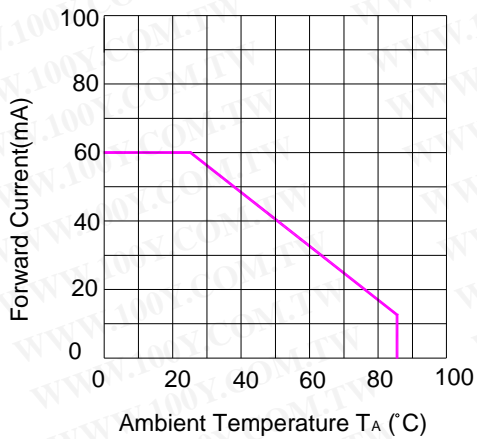
Relative Luminous Intensity vs Forward Current, $T_{Ambient}=25^{\circ}C$



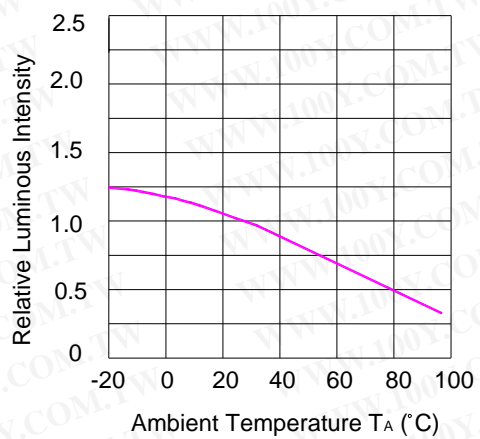
Relative Luminous Intensity vs Forward Current, $T_{Ambient}=25^{\circ}C$



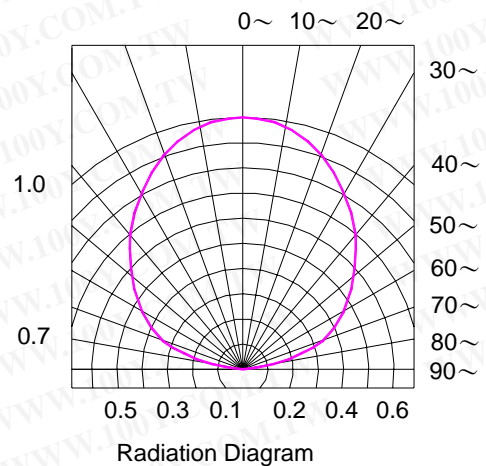
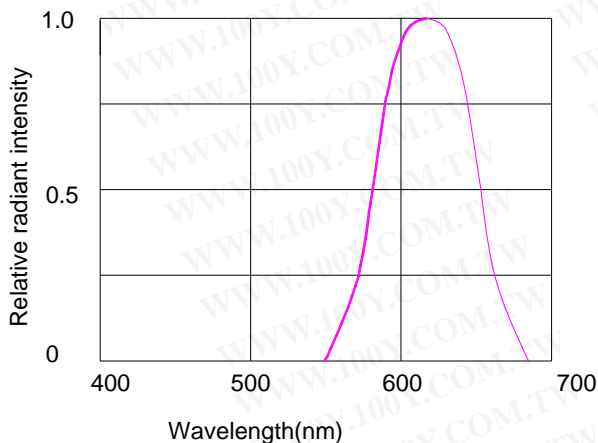
Forward Current Derating Curve, Derating based on $T_{jMAX}=85^{\circ}C$



Luminous Intensity VS Ambient Temperature



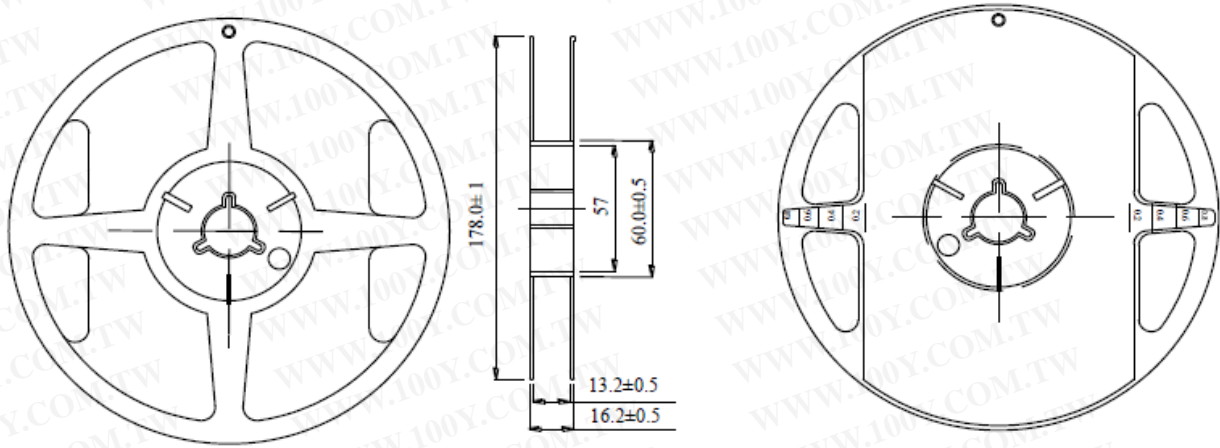
Relative Spectral Distribution, $I_F=60mA$, $T_{Ambient}=25^{\circ}C$



勝特力材料 886-3-5753170
勝特力电子(上海) 86-21-34970699
勝特力电子(深圳) 86-755-83298787
[Http://www.100y.com.tw](http://www.100y.com.tw)

PART NO : ALUE5050A-32-H

Dimension of reel



Notes

1. All dimensions are in mm, tolerance is ± 2.0 mm unless otherwise noted.
2. Specifications are subject to change without notice.

Packing

1. Number of SMD 5050 product in reel and bag(anti-static bag)
 - 1.1. 1000 piece of SMD 5050 Products on one reel. The reel will be put in the anti-static bag then sealed.
 - 1.2. 1000 piece of SMD 5050 products on one bag.