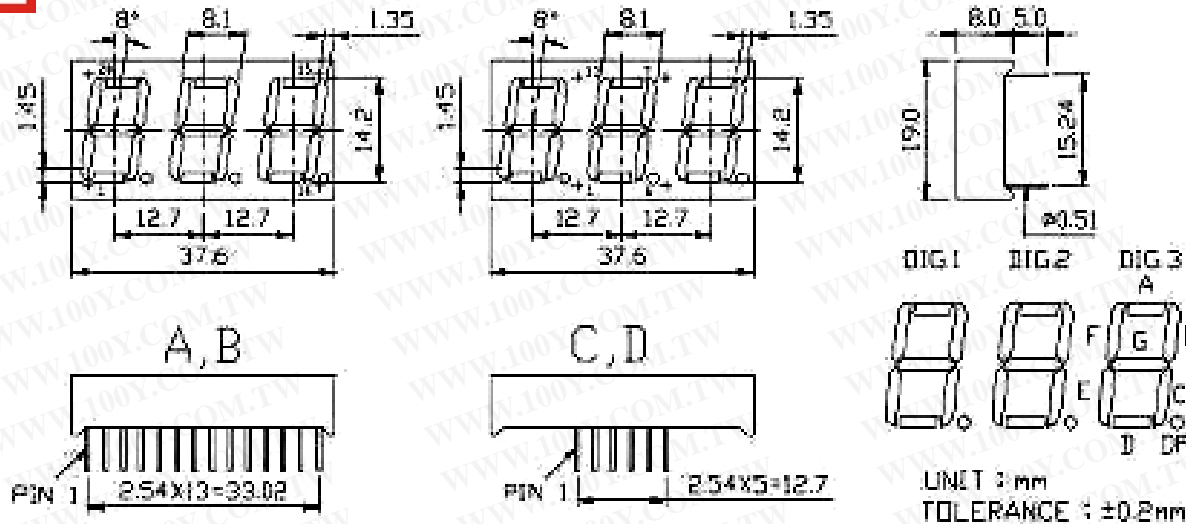
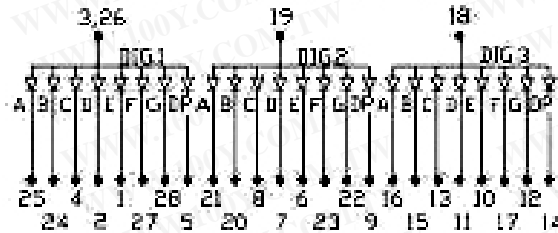


# 0.56" (14.2mm) THREE DIGIT

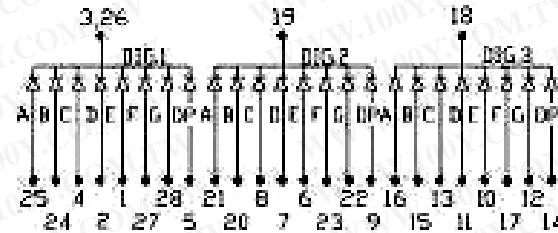
勝特力材料 886-3-5753170  
 勝特力电子(上海) 86-21-34970699  
 勝特力电子(深圳) 86-755-83298787  
[Http://www.100y.com.tw](http://www.100y.com.tw)



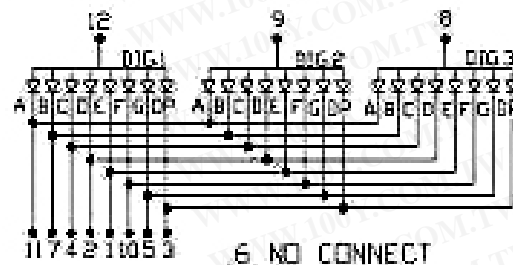
A. A5638H/D/G/Y/RS/SF/3



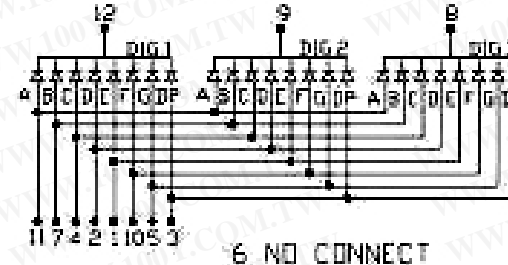
B. C5638H/D/G/Y/RS/SF/3



C. E5638H/D/G/Y/RS/SF/3



D. F5638H/D/G/Y/RS/SF/3



Tester : OPTO Meter S370@20mA

PIN FUNCTION	COMMON ANODE			COMMON CATHODE			WAVE LENGTH	IR MAX (uA)	VF (V)	LUMINOUS INTENSITY
	A	C	E	B	D	F				
EMITTING COLOR	MODEL NO.	MODEL NO.	MODEL NO.	MODEL NO.	MODEL NO.	MODEL NO.	(nm)	VR=5V	IF=20mA	IF=20mA
GAP RED	A5638H	E5638H		C5638H	F5638H		695	100	2.2	0.6mcd
GaAsp ORANGE RED	A5638O	E5638O		C5638O	F5638O		635	100	2.0	4.0mcd
GaP GREEN	A5638G	E5638G		C5638G	F5638G		570	100	2.2	4.5mcd
GaP YELLOW	A5638Y	E5638Y		C5638Y	F5638Y		600	100	2.2	4.0mcd
GaAIAS RED	A5638RS	E5638RS		C5638RS	F5638RS		650	100	1.8	8.0mcd
GaAIAS RED										
GaAIAS YELLOW GREEN										
SIC BLUE	A5638F	E5638F		C5638F	F5638F		465±5	100	3.6	4.0mcd
ZNSE WHITE	A56383	E56383		C56383	F56383		485+	100	3.0	2.0mcd

勝特力材料 886-3-5753170  
 勝特力电子(上海) 86-21-34970699  
 勝特力电子(深圳) 86-755-83298787  
[Http://www.100y.com.tw](http://www.100y.com.tw)