

Picture of Products

勝特力材料 886-3-5753170
 勝特力电子(上海) 86-21-34970699
 勝特力电子(深圳) 86-755-83298787
[Http://www.100y.com.tw](http://www.100y.com.tw)

Features



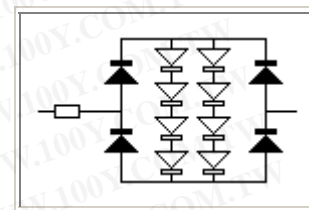
Stem	White Ceramic stem
	3 types of 4.25DIA, 5.5 and 7
Number of Chips	Standard 4/6/8 Chips
Bridge Circuit	For 5.5DIA and over
Base	Various incandescent lamps compatibility
Rated Voltage	Wide range from 6V to 120V
Lifetime	Excellent shackproof and shockproof, long life
Viewing Angle	Wide view 160 degree
Application	Ideal for indication lights

Types

MF	MG	BA7S	MB (BA9S)
BP	E10	WB	T6.8

Circuit Diagram (with Bridge)

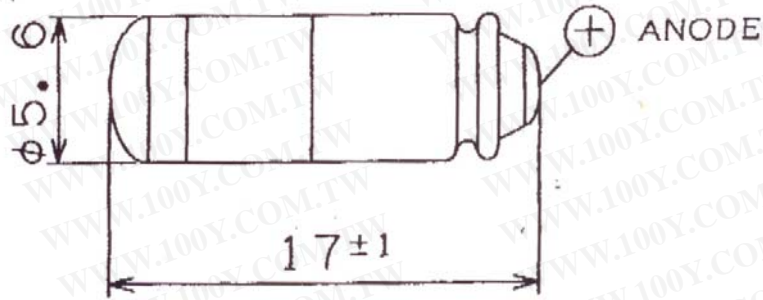
Circuit Diagram



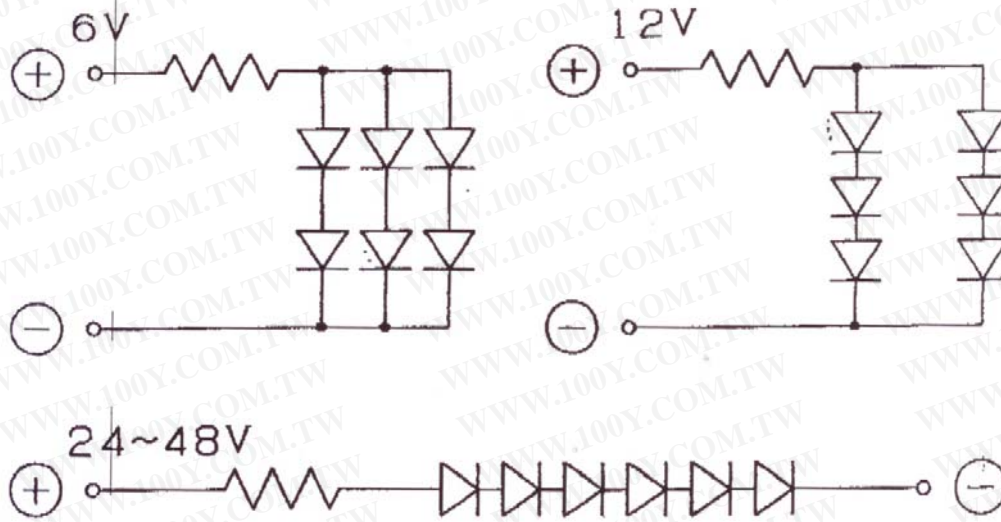
Legend Symbol	
	LED Chip
	Rectifier
	Resistor

ENGINEERING SPECIFICATION

DIMENSIONS



CIRCUIT DIAGRAM



MAX. OPERATING TEMPERATURE: -25~60 °C
 MAX. STORAGE TEMPERATURE: -25~80 °C
 VIEWING ANGLE: 180 DEGREE

TITLE: T-1 3/4 MIDGET GROOVED - 6 CHIPS
 6x16, AC/DC VERSION

6MG-O-□-□

MEMO:

Issued 30rd May, 2010 Snoguchi

HOSOBUCHI ELECTRIC LAMP CO., LTD
 27-12, 1chome Nishinipori, Arakawaku
 Tokyo, Japan

Dimensions in mm

SCALE: 4 / 1 Page: 1 of 2

勝特力材料 886-3-5753170
 勝特力电子(上海) 86-21-34970699
 勝特力电子(深圳) 86-755-83298787
 Http://www.100y.com.tw

ENGINEERING SPECIFICATION | FL-15-356

ELECTRO-OPTO SPECIFICATION

PART NO.	V _F (MAX. +5%)	I _F (TYP.) AT DC / AT AC mA	I _V (TYP.) AT DC / AT AC mcd	PEAK WAVE-LENGTH nm	COLOR
6MG-O-UR-6	6 DC/AC	45 / 22	58 / 29	660	ULTRA-RED
6MG-O-R-6	6 DC/AC	45 / 22	29 / 14	630	RED
6MG-O-Y-6	6 DC/AC	45 / 22	51 / 25	585	YELLOW
6MG-O-G-6	6 DC/AC	45 / 22	73 / 36	565	GREEN
6MG-O-UR-12	12 DC/AC	30 / 15	58 / 29	660	ULTRA-RED
6MG-O-R-12	12 DC/AC	30 / 15	29 / 14	630	RED
6MG-O-Y-12	12 DC/AC	30 / 15	51 / 25	585	YELLOW
6MG-O-G-12	12 DC/AC	30 / 15	73 / 36	565	GREEN
6MG-O-UR-24	24 DC/AC	16 / 8	60 / 30	660	ULTRA-RED
6MG-O-R-24	24 DC/AC	16 / 8	30 / 15	630	RED
6MG-O-Y-24	24 DC/AC	16 / 8	53 / 26	585	YELLOW
6MG-O-G-24	24 DC/AC	16 / 8	75 / 37	565	GREEN
6MG-O-UR-28	28 DC/AC	14 / 7	58 / 29	660	ULTRA-RED
6MG-O-R-28	28 DC/AC	14 / 7	29 / 14	630	RED
6MG-O-Y-28	28 DC/AC	14 / 7	51 / 25	585	YELLOW
6MG-O-G-28	28 DC/AC	14 / 7	73 / 36	565	GREEN
6MG-O-UR-48	48 DC/AC	9 / 4	45 / 22	660	ULTRA-RED
6MG-O-R-48	48 DC/AC	9 / 4	23 / 11	630	RED
6MG-O-Y-48	48 DC/AC	9 / 4	39 / 19	585	YELLOW
6MG-O-G-48	48 DC/AC	9 / 4	56 / 28	565	GREEN

TITLE: T-1 3/4 MIDGET GROOVED - 6 CHIPS
6x16, AC/DC VERSION

MEMO:

6MG-O-□-□

Issued 30rd May 2010 S.noguchi

HOSOBUCHI ELECTRIC LAMP CO., LTD
27-12, 1st home Nishinipori, Arakawaku
Tokyo, Japan

Dimensions in mm

Page: 2 of 2