

SHRINK DIP SOCKET 1.778mm(0.070")/密腳型鎖緊雙列



Material:

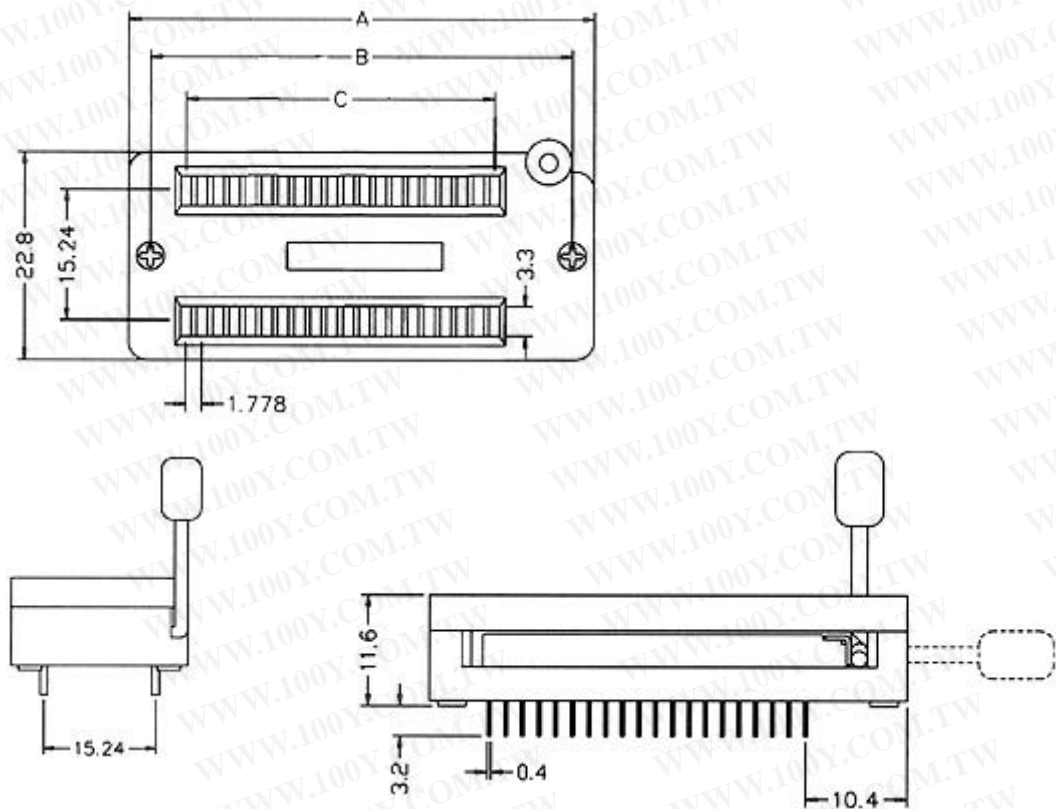
Housing: 30% Glass filled PBT UL94V-0
 Contacts: Phosphor Bronze
 Plating: Gold plated: 3u" over 50u" nickel
 Tin plated: 100u" over 50u" nickel

Electrical Characteristics:

Current Rating: 1 AMP
 Insulator Resistance: 5000MΩmin. at DC 500V
 Contact Resistance: 20mΩmax. at DC 100mA
 Operating Temperature: -55°C ~ +105°C

Features:

- * For DIPs with .070" lead spacing.
- * Lever actuated zero instrtion force mechanism.
- * Socket contact point of .090" below top surface of socket.



Position	A	B	C
28	40.5	36.1	23.12
40	51.2	46.8	33.78
56	65.4	61.0	48.00