

ZIP DIP SOCKET 2.54mm(0.100")/鎖緊雙列



Material:

Housing: 30% Glass filled PBT UL94V-0

Contacts: Phosphor Bronze

Plating: Gold plated: 3u" over 50u" nickel

Tin plated: 100u" over 50u" nickel

Electrical Characteristics:

Current Rating: 1 AMP

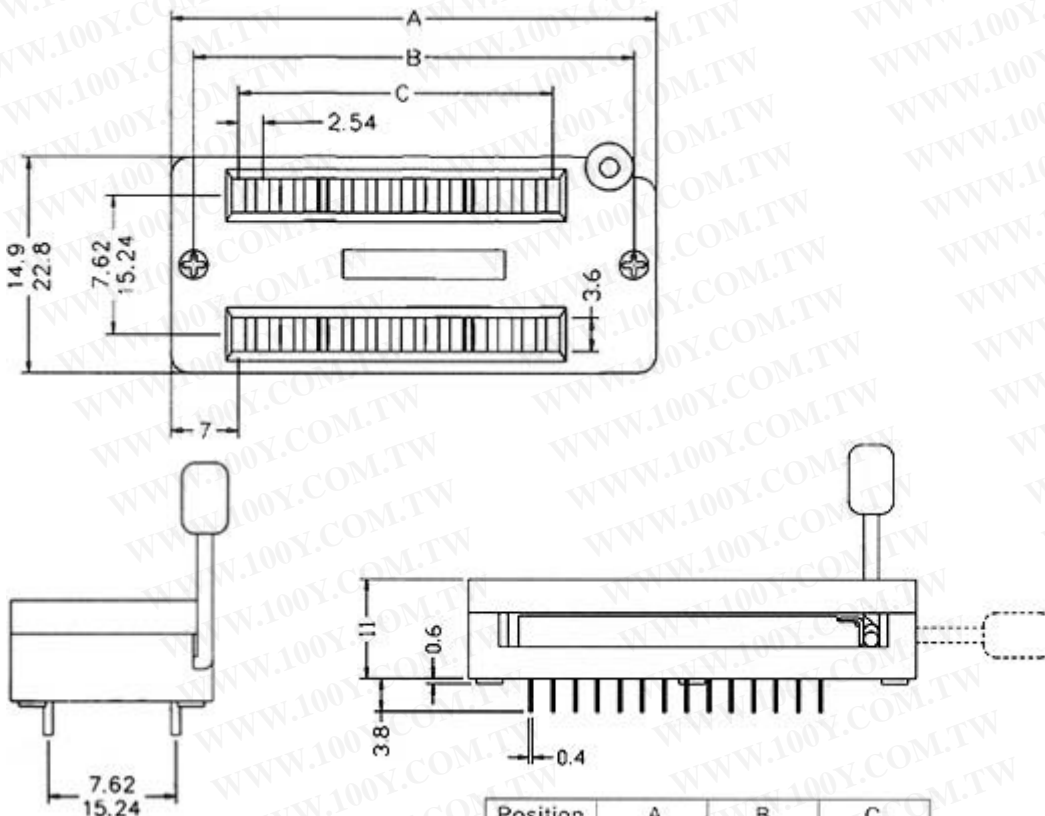
Insulator Resistance: 5000MΩmin. at DC 500V

Contact Resistance: 20mΩmax. at DC 100mA

Operating Temperature: -55°C~+105°C

Features:

- * For DIPs with ~100" lead spacing.
- * Lever actuated zero instrtion force mechanism.
- * Socket easily disassembles for repairability.
- * Socket contact point of. 11 O" below top surface of socket.



Position	A	B	C
14	33.2	28.7	15.24
16	35.7	31.2	17.78
20	40.8	36.3	22.86
24	45.9	41.4	27.94
24	45.9	41.4	27.94
28	51.0	46.5	33.02
32	56.1	51.6	38.10
40	66.2	61.7	48.26
48	76.4	71.9	58.42