



Focusline Optical

Quartz halogen lamps with integral reflector which serves as an efficient mirror condenser system

Product Features

- Dichroic coating on glass reflector radiates about 75% of the generated heat backwards, keeping temperatures within safe limits
- Halogen burner is precisely aligned using an optical system, so no realignment is needed when the lamp is replaced

Product Benefits

- Negligible depreciation in light output during lifetime
- High efficacy gives low energy consumption

Application

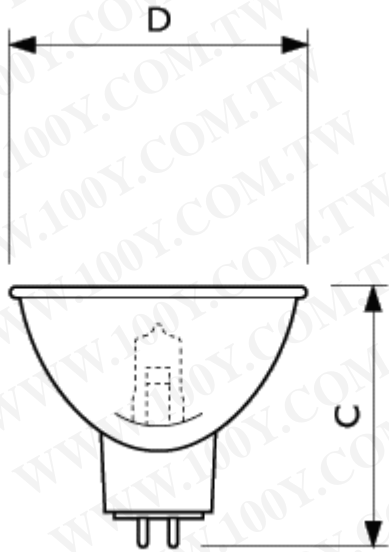
- 8/16 mm film projection
- Slide projection
- Enlargers
- Minilabs/colour printers
- Overhead projection
- Medical equipment
- Solar simulation
- Measuring equipment
- Fibre optical applications

Order code	Full product name
410627 30	13095 250W GY5.3 120V 1CT
410573 30	13096 300W GY5.3 120V 1CT
409935 60	13117 150W GX5.3 17V 1CT
409799 60	13139 75W GZ6.35 12V 1CT
409751 60	13163 250W GX5.3 24V 1CT
410580 30	13164 200W GX5.3 24V 1CT
410733 30	13629 150W GX5.3 21V 1CT
410740 30	13630 200W GX5.3 24V 1CT
410757 30	13631 250W GX5.3 24V 1CT
410696 30	13634 300W GX5.3 82V 1CT
410641 30	13824 360W GY5.3 82V 1CT
410351 60	13938 50W GX5.3 22.8V 1CT
410702 30	14502 300W GX5.3 82V 1CT
424556 30	14526 410W GY5.3 82V 1CT
427335 60	6423 150W GZ6.35 15V 1CT
427311 60	6834 100W GZ6.35 12V 1CT
427298 60	6853 75W GZ6.35 12V 1CT

勝特力材料 886-3-5753170
 勝特力电子(上海) 86-21-34970699
 勝特力电子(深圳) 86-755-83298787
[Http://www.100y.com.tw](http://www.100y.com.tw)

Legend

Column	Value	Explanation
Packing Type	1CT	1 Carton



XHOPDI GX5.3/GZ6.35/GY5.3

Full product name	C mm	D mm	L mm
13117	47	49	
13163	45	49	
13164	44	50	
13630	44	50	
13631	44	50	
GX5.3 82V	44	41	
150W GX5.3 21V	44	50	
GY5.3	44	50	
75W GZ6.35	44	49	
100W GZ6.35	44	49	
150W GZ6.35	43	50	
ELC/5H	44	50	

Basic specifications - Special Lighting

Order code	Philips Code	Rated Lamp Wattage	Cap- Base	Voltage	Packing Type	Packing Configuration	ANSI Code	LIF Code	Bulb	Bulb Material
41062730	13095	250W	GY5.3	120V	1CT	24	-	-		Quartz-UV Open
41057330	13096	300W	GY5.3	120V	1CT	24	ELH	-		Quartz-UV Open
40993560	13117	150W	GX5.3	17V	1CT	10X5F	-	-	R50	Quartz-UV Open
40979960	13139	75W	GZ6.35	12V	1CT	10X5F	-	-	R50	Quartz-UV Open
40975160	13163	250W	GX5.3	24V	1CT	10X5F	ELC	A1/259	R50	Quartz-UV Open
41058030	13164	200W	GX5.3	24V	1CT	24	EJL	A1/252		Quartz-UV Open
41073330	13629	150W	GX5.3	21V	1CT	24	EKE	-		Quartz-UV Open
41074030	13630	200W	GX5.3	24V	1CT	24	EFW	-		Quartz-UV Open
41075730	13631	250W	GX5.3	24V	1CT	24	ELC/FA	A1/259		Quartz-UV Open
41069630	13634	300W	GX5.3	82V	1CT	24	FHS	-		Quartz-UV Open
41064130	13824	360W	GY5.3	82V	1CT	24	ENX	-	R50	Quartz-UV Open
41035160	13938	50W	GX5.3	22.8V	1CT	10X5F			R50	Quartz-UV Open
41070230	14502	300W	GX5.3	82V	1CT	24	EXR	-		Quartz-UV Open
42455630	14526	410W	GY5.3	82V	1CT	24	FXL	-	R50	Quartz-UV Open

勝特力材料 886-3-5753170
 勝特力电子(上海) 86-21-34970699
 勝特力电子(深圳) 86-755-83298787
[Http://www.100y.com.tw](http://www.100y.com.tw)

PHILIPS

Order code	Philips Code	Rated Lamp Wattage	Cap- Base	Voltage	Packing Type	Packing Configuration	ANSI Code	LIF Code	Bulb	Bulb Material
42733560	6423	150W	GZ6.35	15V	1CT	10X5F	EFR	A1/232	R50	Quartz-UV Open
42731160	6834	100W	GZ6.35	12V	1CT	10X5F	EFP	A1/231	R50	Quartz-UV Open
42729860	6853	75W	GZ6.35	12V	1CT	10X5F	EFN	A1/230	R50	Quartz-UV Open

Order code	Reflector Finish	Burning Position	Main Application	Life to 50% failures	Product Nett Weight	Colour Rendering Index [Ra]
41062730	Faceted	s90	Projection	175	39	100
41057330	Smooth	s90	Projection	35	37	100
40993560	Smooth	any	Projection	1000	30	100
40979960	Smooth	s105	Projection	25	27	100
40975160	Smooth	s105	Projection	35	30	100
41058030	Smooth	s90	Projection	50	30	100
41073330	Smooth	s90	Projection	200	30.11	100
41074030	Faceted	s90	Projection	50	30.1	100
41075730	Faceted	s90	Projection	50	30.11	100
41069630	Faceted	s90	Projection	70	30.11	100
41064130	Faceted	s90	Projection	70	35	100
41035160	Smooth	any	Projection	750	30.1	100
41070230	Faceted	s90	Projection	35	30.11	100
42455630	Faceted	s90	Projection	50	25	100
42733560	Smooth	s105	Projection	50	27	100
42731160	Smooth	s90	Projection	50	27	100
42729860	Smooth	s105	Projection	50	27	100

勝特力材料 886-3-5753170
勝特力电子(上海) 86-21-34970699
勝特力电子(深圳) 86-755-83298787
[Http://www.100y.com.tw](http://www.100y.com.tw)





XHOPDI GX5.3



XHOPDI GX5.3



XHOPDI GY5.3

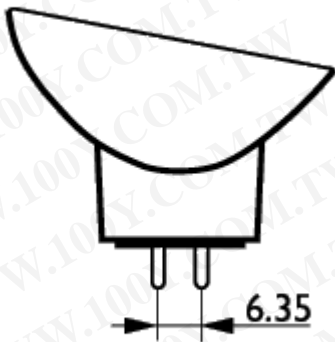


XHOPDI GY5.3

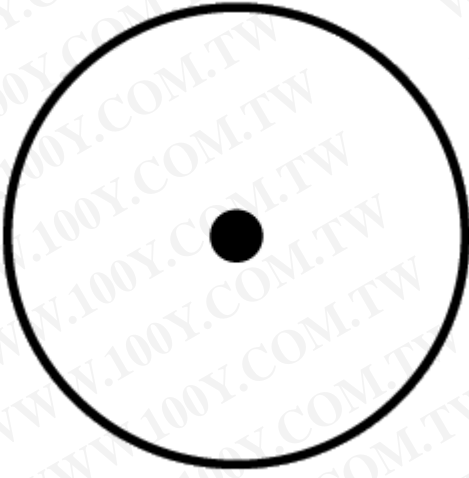


XHOPDI GZ6.35

勝特力材料 886-3-5753170
 勝特力电子(上海) 86-21-34970699
 勝特力电子(深圳) 86-755-83298787
[Http://www.100y.com.tw](http://www.100y.com.tw)



CapBase GX5.3



OperPos any

勝特力材料 886-3-5753170
勝特力电子(上海) 86-21-34970699
勝特力电子(深圳) 86-755-83298787
[Http://www.100y.com.tw](http://www.100y.com.tw)

