

CXA-0442 (15W QUAD OUTPUTS WITH DIMMING FUNCTION)

Applicable LCD:

NL10276BC30-17(NEC)

FEATURES:

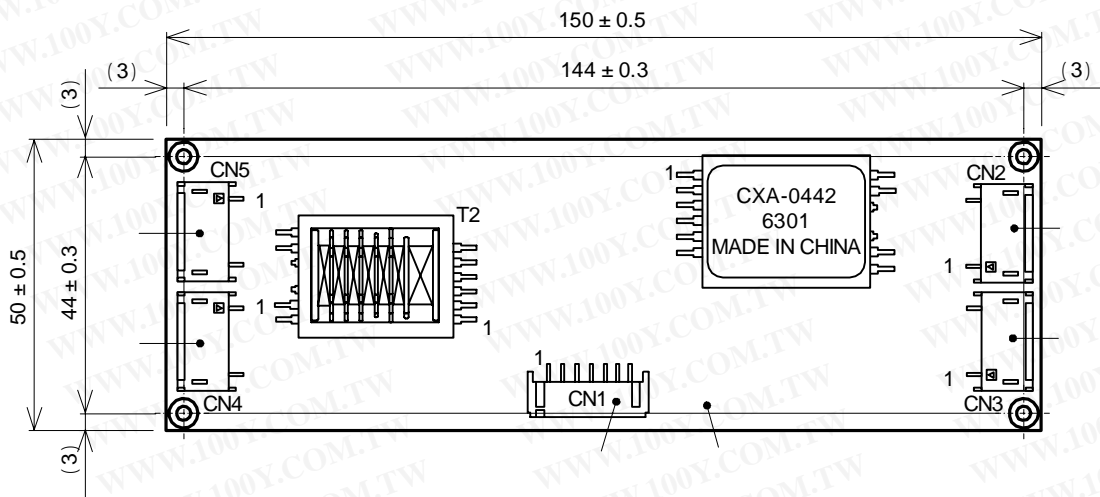
- This inverter is for four lamps
- Alarm signal function
- Shut down function
- PWM dimming
- Silicone Coating in High Voltage area

TEMPERATURE & HUMIDITY :

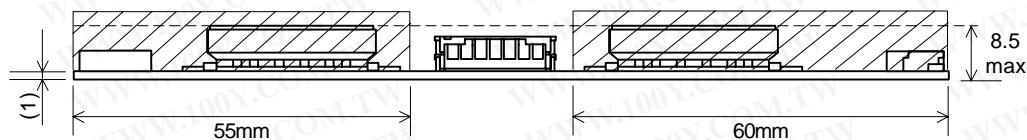
Operating Temperature Range	0 ~ +70 Centigrade
Storage Temperature Range	-30 ~ +85 Centigrade
Humidity	95 %RH max (No dew)

DIMENSIONS :

TOP VIEW



SIDE VIEW



勝特力材料 886-3-5753170
 勝特力电子(上海) 86-21-34970699
 勝特力电子(深圳) 86-755-83298787
[Http://www.100y.com.tw](http://www.100y.com.tw)

CXA-0442 (15W QUAD OUTPUTS WITH DIMMING FUNCTION)

Connector Configuration:

Input side CN01

Pin No.	Symbols	Ratings	Notes
CN01-1	Vin	10.8 ~ 13.2V	
CN01-2	GND	0V	
CN01-3	Vbr / Rbr	0 ~ 2.5V 0 ~ 50k	Power supply for adjustment of brightness.
CN01-4	Vst	0/5V	This is an output pin and it is active 5V, if any lamp opens/fails
CN01-5	Vrmt	2.5 ~ Vin/0 ~ 0.4V	Active-High (2.5 ~ Vin)

Output side CN02

Pin No.	Symbols	Ratings
CN02-1	VHIGH1	620Vrms 6.0mArms
CN02-2	N.C.	-
CN02-3	VLOW1	(2V)

Output side CN03

Pin No.	Symbols	Ratings
CN03-1	VHIGH1	620Vrms 6.0mArms
CN03-2	N.C.	-
CN03-3	VLOW1	(2V)

Output side CN04

Pin No.	Symbols	Ratings
CN04-1	VHIGH2	620Vrms 6.0mArms
CN04-2	N.C.	-
CN04-3	VLOW2	(2V)

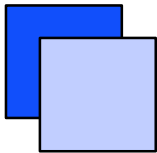
Output side CN05

Pin No.	Symbols	Ratings
CN05-1	VHIGH2	620Vrms 6.0mArms
CN05-2	N.C.	-
CN05-3	VLOW2	(2V)

No.	Part Description	Material	QU	REMARK	MATES WITH
	PCB	Composite (CEM-3)	1	UL94V-0 t=1.0	-
	Input Connector CN01	S7B-PH-SM4-TB(LF)(SN)	1	JST	PHR-7
	Output Connector CN02,03,04,05	SM02(8.0)B-BHS-1-TB(LF)(SN)	4	JST	BHR-03VS-1

ELECTRICAL CHARACTERISTICS:

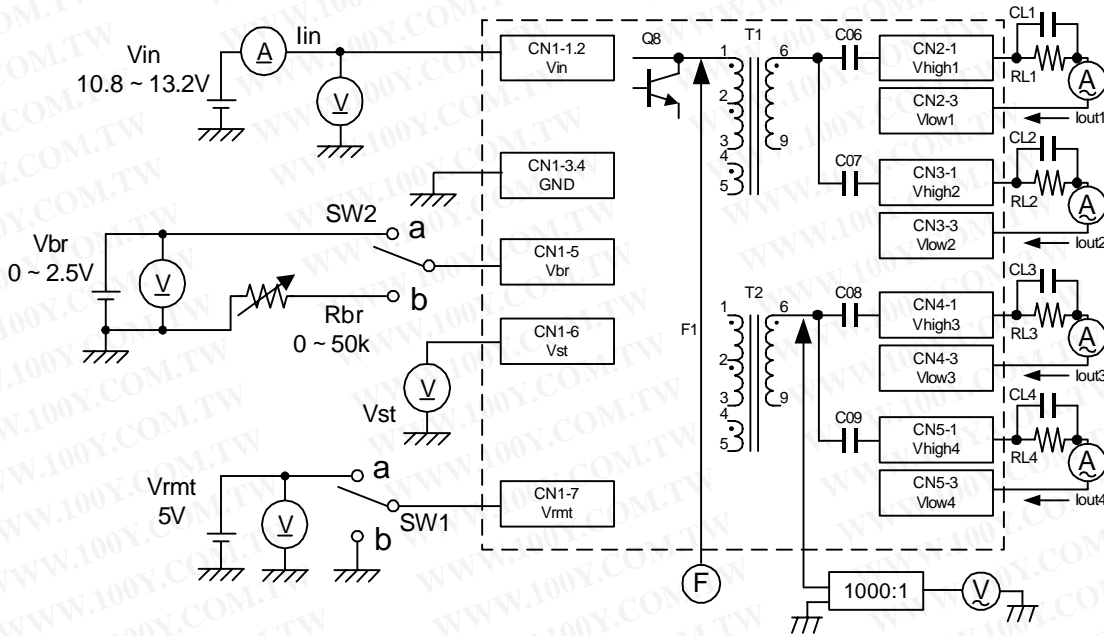
Parameters	Symbol	Condition					Specifications			Unit
		Vin(V)	Vrmt(V)	Vbr(V), Rbr(k)	Ta()	RL1 ~ 4(k) //CL1 ~ 4(pF)	MIN.	TYP.	MAX.	
Output current (Brightness max.)	Iout1 ~ 2	10.8 ± 0.05	5 ± 0.05	0, 0	23 ± 5	110//5	5.5	6.0	6.5	mArms
		13.2 ± 0.05	5 ± 0.05		23 ± 5		5.5	6.0	6.5	
Output current (Brightness min.)	Iout1 ~ 2	10.8 ± 0.05	5 ± 0.05	2.5 ± 0.05, 50k	23 ± 5		2.3	3.0	3.7	
		13.2 ± 0.05	5 ± 0.05		23 ± 5		2.3	3.0	3.7	
Input current 1	Iin1	10.8 ± 0.05	5 ± 0.05	0, 0	23 ± 5		-	1700	2000	mA
Input current 2	Iin2	10.8 ± 0.05	0		23 ± 5		-	-	1	
Frequency	FL	12.0 ± 0.05	5 ± 0.05		23 ± 5		35	40	45	
Frequency(duty)	Fduty	12.0 ± 0.05	5 ± 0.05	2.5 ± 0.05, 50k	23 ± 5		240	270	300	Hz
Open voltage	Vopen	10.8 min.	5 ± 0.05	0, 0	23 ± 5		1500	-	-	Vrms
Warning Signal	Vst	10.8 min.	5 ± 0.05	0 ~ 2.5 , 0 ~ 50k	23 ± 5		110//5 * (One or more of RL1 ~ 4)	4.5	5.0	5.5
						110//5 * (One or more of RL1 ~ 4)	4.5	5.0	5.5	
						110//5	-	0	0.5	



CXA-0442 (15W QUAD OUTPUTS WITH DIMMING FUNCTION)

勝特力材料 886-3-5753170
 勝特力电子(上海) 86-21-34970699
 勝特力电子(深圳) 86-755-83298787
[Http://www.100y.com.tw](http://www.100y.com.tw)

Test circuit:



SW1(ON/OFF) Operation is as following:

SW1	Operation of unit
a	Operation
b	Non operation
Open	Non operation

SW2(ON/OFF) Operation is as following:

SW2	Operation of unit
a	*Voltage dimming Vbr=0~2.5V
b	*Variable resistance dimming VR=0~50