

Product selected: DDM 19V 80W

### Applications

- Microfilm readers
- Medical equipment
- Fiber optic applications
- Enlargers
- Overhead projectors
- Slide projectors

### Features

- Compact filament
- Perfect alignment of the burner
- Highly efficient reflector/lamp combination
- Dichroic reflector, which radiates 75% of heat rearwards

### Directions for use

- No dimming lower than 10% of rated voltage

勝特力材料 886-3-5753170  
 勝特力电子(上海) 86-21-54151736  
 勝特力电子(深圳) 86-755-83298787  
[Http://www.100y.com.tw](http://www.100y.com.tw)

### Product Attributes

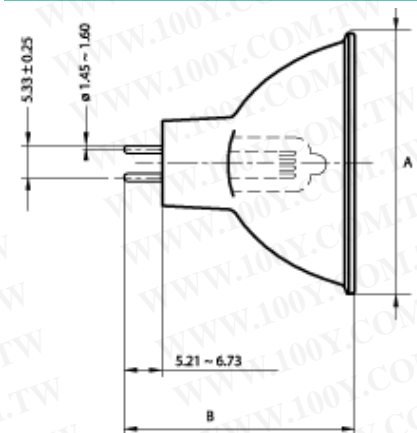
Item description	DDM 19V 80W
Ordering Code	9060954
Packing Quantity	10
Watt. (W)	80
Volt. (V)	19
Cap	GX5.3
Max. Over. Length (mm)	44.5
Diameter (mm)	50.7
ANSI code	DDM
Working Distance (mm)	152.4
Colour Temp (K)	3350
Average life (hours)	50
Reflector Surface	Faceted
Burning position (image)	S90
Corner Center Ratio (%)	15

### Burning Position

### Product Image



### Line Drawing



### Lamp Cap

