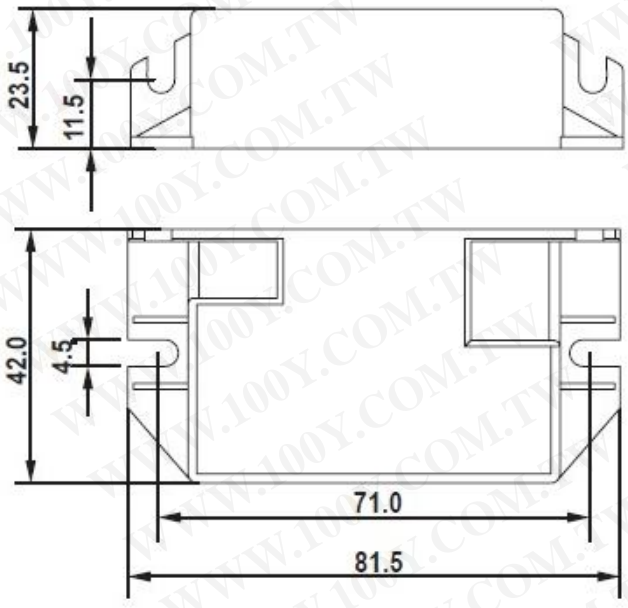


RW12-425-18 RW12-425-18A 110V 11W 16W 紫外线电子镇流器



勝特力材料 886-3-5753170
勝特力电子(上海) 86-21-34970699
勝特力电子(深圳) 86-755-83298787
[Http://www.100y.com.tw](http://www.100y.com.tw)



- L=7.5-8.5mm
- 0.5-1.5mm²
- Max.3.0mm
- Tc=70°C
- Ta=-10~40°C
-
-
-

RW12-180-10

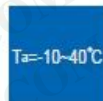
AC Source :	198~264V	Lamp Power :	4~8W
Mains Frequency :	47~63Hz	Output Current :	0.16~0.19A typ.
Input Power :	5.7~10W	Output Frequency :	25~33KHz
Input Current :	Max.0.13A at 230Vrms	Efficiency :	80% Max. load
Power Factor :	0.60 typ.		
Lamp Type :	TUV4W TUV6W TUV8W		

RW12-425-10

AC Source :	198~264V	Lamp Power :	8~14W
Mains Frequency :	47~63Hz	Output Current :	0.38~0.43A typ.
Input Power :	11~17.5W	Output Frequency :	25~33KHz
Input Current :	Max.0.17A at 230Vrms	Efficiency :	80% Max. load
Power Factor :	0.60 typ.		
Lamp Type :	GPH150T5 GPH212T5 GPH287T5 TUV11W		

RW12-425-18

AC Source :	198~264V	Lamp Power :	14~17W
Mains Frequency :	47~63Hz	Output Current :	0.38~0.43A typ.
Input Power :	17.5~21W	Output Frequency :	25~33KHz
Input Current :	Max.0.20A at 230Vrms	Efficiency :	80% Max. load
Power Factor :	0.60 typ.		
Lamp Type :	GPH287T5 GPH303T5 GPH357T5 TUV16W		

**RW12-180-10A**

AC Source :	99~132V	Lamp Power :	4~8W
Mains Frequency :	47~63Hz	Output Current :	0.16~0.19A typ.
Input Power :	5.7~10W	Output Frequency :	25~33KHz
Input Current :	Max.0.27A at 120Vrms	Efficiency :	80% Max. load
Power Factor :	0.60 typ.		
Lamp Type :	TUV4W TUV6W TUV8W		

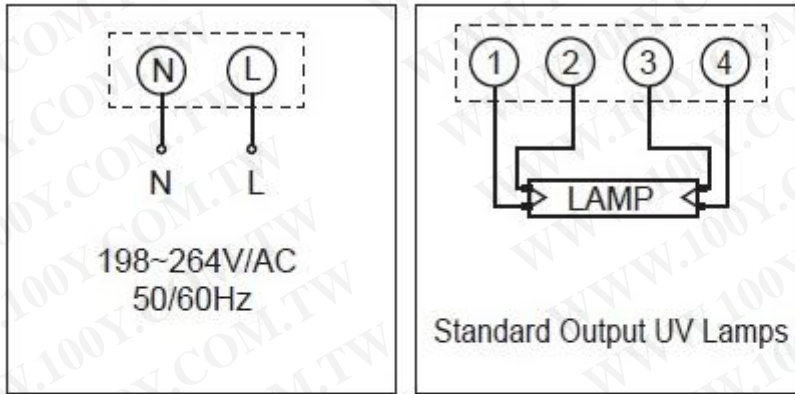
RW12-425-10A

AC Source :	99~132V	Lamp Power :	8~14W
Mains Frequency :	47~63Hz	Output Current :	0.38~0.43A typ.
Input Power :	11~17.5W	Output Frequency :	25~33KHz
Input Current :	Max.0.31A at 120Vrms	Efficiency :	80% Max. load
Power Factor :	0.60 typ.		
Lamp Type :	GPH150T5 GPH212T5 GPH287T5 TUV11W		

RW12-425-18A

AC Source :	99~132V	Lamp Power :	14~17W
Mains Frequency :	47~63Hz	Output Current :	0.38~0.43A typ.
Input Power :	17.5~21W	Output Frequency :	25~33KHz
Input Current :	Max.0.41A at 120Vrms	Efficiency :	80% Max. load
Power Factor :	0.60 typ.		
Lamp Type :	GPH287T5 GPH303T5 GPH357T5 TUV16W		

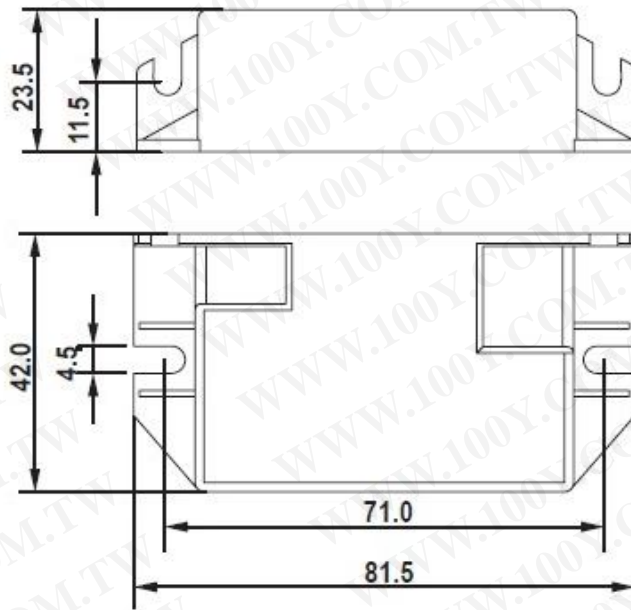
Wiring Diagram



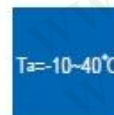
Features & Functions

- Rapid Start
- Constant Current Output
- Lamp Open Protection
- Lamp Fault Protection

百士 **RW12-180-10 RW12-180-10A 110V 4W 6W 8W** 紫外线电子镇流器



勝特力材料 886-3-5753170
勝特力电子(上海) 86-21-34970699
勝特力电子(深圳) 86-755-83298787
[Http://www.100y.com.tw](http://www.100y.com.tw)



型号	输入电压	配用灯管	外线尺寸
	V		mm
RH1-900-100	230V	TL 100W,GH036T5	215*42*28
RL1-425-90	230V	G64~67T5L	215*44*26
RL1-800-100	230V	TUV 36T5HO	215*44*26
RH2-425-2/40U	110~240V	2*TUV 36T5,1*G64T5	200*64*29
RH2-800-2/75U	110~240V	2*TUV 36T5,1*G64T5	200*64*29
RW3-180-10(A)	230(120)V	TUV 4/6/8W	68*44*35
RW3-425-18(A)	230(120)V	GPH150~357T5	68*44*35
RW5-425-40(A)	230(120)V	GPH150~1148T5	125*60*35
RW5-425-40(防水)	230V	GPH150~1148T5	125*60*35
RH6-425-2/18U	110~240V	2*TUV16W,1*TUV36	135*60*30
RH7-425-75U	110~240V	TUV64T5	185*56*45
RH7-800-75U	110~240V	TUV36T5HO	185*56*45
RH7-900-75	110~240V	TUV36T5HO	185*56*45
RH8-1000-155	TUV64T5HO	249*65*45	
RH9-2100-320	230V	TUV325WXPT	249*108*57
RS9-2100-320	230V	TUV325WXPT	249*108*57
RW11-350-30	230V	TUV30W	165*42*28
RW11-350-2/30	230V	2*TUV30W	165*42*28
RW11-350-2/15	230V	TUV15W	165*42*28
RW11-450-36	230V	TUV36W	165*42*28
RW11-650-25	230V	TUV25W	165*42*28
RW11-800-55	230V	TUV55W	165*42*28
RL11-425-40	230V	TUV36T5	165*38*26
RW12-180-10(A)	230(120)V	TUV4/6/8W	80*40*22
RW12-425-18(A)	230(120)V	TUV11/16W	80*40*22