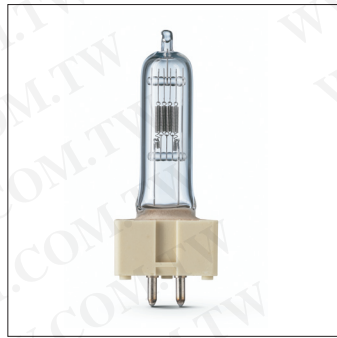


勝特力材料 886-3-5753170  
 勝特力电子(上海) 86-21-54151736  
 勝特力电子(深圳) 86-755-83298787  
[Http://www.100y.com.tw](http://www.100y.com.tw)



6980Z/7009Z



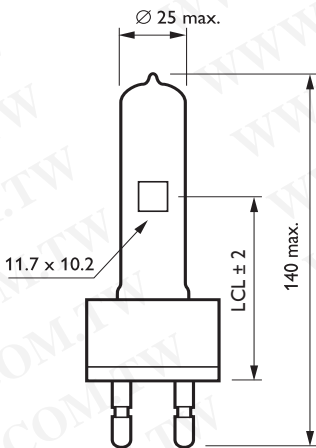
7115TXO

**Features**

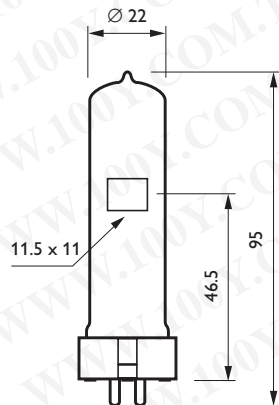
1. Philips Pinch Protection.
2. Compact, shock resistant design.
3. Compact filament.

**Benefits**

1. Enables use at higher temperatures in any burning position. Longer lifetime, fewer early failures, consistent performance over time.
2. Easy handling, ideal for moving head systems.
3. High beam intensity resulting in reduced energy consumption (1200W instead of 2500W).



6980Z / 7009Z

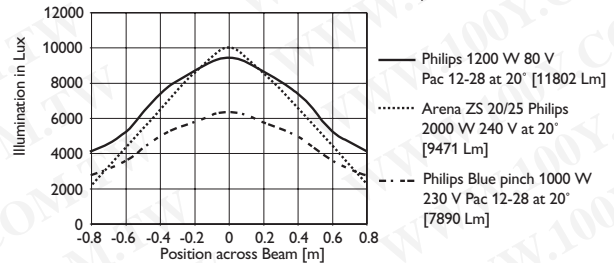


7115TXO

Type	LCL
7009Z	72.5
6980Z	63.5

Dimensions in mm

Pacific 80 V 1200 W vs. Arena ZS 2 kW vs. Pacific 12-28 Blue pinch 1000 W 230 V at 20'



Type	LIF code	Wattage	Voltage	Cap/base	Filament shape	Lumen output	Color temperature	Burning position	Average lamp life 50% h	Max. perm. pinch temp. °C	Ordering number
6980Z	CP110	1200 W	80V	G22	BP	36000 lm	3250 K	S90	200	500	9245 465 28900
7009Z	-	1200 W	80V	G22	BP	36000 lm	3250 K	S90	200	500	9245 690 28900
7115TXO	-	750 W	100V	GX9.5	BP	20250 lm	3200 K	ANY	300	500	9245 745 30900



**Philips pinch protection technology**

- **Reliability**, through longer lifetime and fewer early failures.
- **Quality**, through excellent storage characteristics and consistent performance over time.
- **Compactness**, allowing more compact design of fixtures and burning positions.
- **Philips P3 technology**, Max 500° C pinch temperature
- **No pinch protection**, Max 350° C pinch temperature

Dealer stamp