

Halogen lamps with reflector MR16



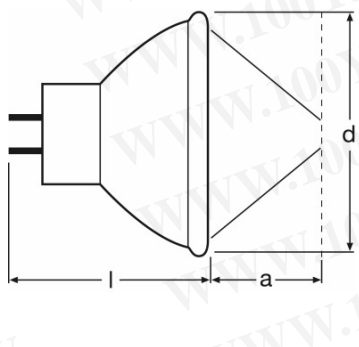
Product features

- Xenon instead of krypton as the filler gas (XENOPHOT HLX versions)
- Luminous flux up to 10 % higher with same power consumption (XENOPHOT HLX versions)



勝特力材料 886-3-5753170
勝特力电子(上海) 86-21-34970699
勝特力电子(深圳) 86-755-83298787
[Http://www.100y.com.tw](http://www.100y.com.tw)

Product family datasheet



Product line drawing

勝特力材料 886-3-5753170
勝特力电子(上海) 86-21-34970699
勝特力电子(深圳) 86-755-83298787
[Http://www.100y.com.tw](http://www.100y.com.tw)

Product family datasheet

勝特力材料 886-3-5753170
 勝特力电子(上海) 86-21-34970699
 勝特力电子(深圳) 86-755-83298787
[Http://www.100y.com.tw](http://www.100y.com.tw)

Technical data

Product description	Electrical data	Light technical data	Dimensions & weight		Lifespan	Additional product data		Capabilities	
	Nominal voltage	Focal length	Diameter	Length	Lifespan	Coating	Base (standard designation)	Cooling	Burning position
64607 50 W 8 V	8 V	32.0 mm	51.0 mm	42.0 mm	50 h	Aluminum	GZ6.35	Forced	p90/p15
64615 HLX	12.0 V	32.0 mm	51.0 mm	42.0 mm	50 h	Dichroic	GZ6.35	Forced	p90/p15
64619 90 W 14.5 V	14.5 V	155.0 mm	51.0 mm	45.0 mm	500 h	Dichroic	GX5.3	Forced	p90
64627 HLX	12.0 V	32.0 mm	51.0 mm	42.0 mm	50 h	Dichroic	GZ6.35	Forced	p90/p15
64629 100 W 12 V	12.0 V	32.0 mm	51.0 mm	42.0 mm	600 h	Dichroic	GZ6.35		p90/p15
64637 100 W 12 V	12.0 V	32.0 mm	51.0 mm	42.0 mm	1500 h	Dichroic	GZ6.35		s120
64620 150 W 15 V	15.0 V	32.0 mm	51.0 mm	42.0 mm	500 h	Dichroic	GZ6.35		p90/p15
64634 HLX	15.0 V	32.0 mm	51.0 mm	42.0 mm	50 h	Dichroic	GZ6.35	Forced	p90/p15
64635 HLX ¹⁾	15.0 V	19.0 mm	51.0 mm	45.0 mm	50 h	Gold	GZ6.35	Forced	Any
93637 150 W 21 V	21.0 V	44.5 mm	51.0 mm	44.5 mm	100 h	Dichroic	GX5.3	Convection	s90
93638 150 W 21 V	21.0 V	44.5 mm	51.0 mm	44.5 mm	200 h	Dichroic	GX5.3	Forced	s90
64653 HLX	24.0 V	35.0 mm	51.0 mm	44.5 mm	50 h	Dichroic	GX5.3	Forced	Any
93653 250 W 24 V	24.0 V	35.0 mm	51.0 mm	44.5 mm	300 h	Dichroic	GX5.3	Forced	Any
64659 250 W 24 V	24.0 V	35.0 mm	51.0 mm	44.5 mm	1000 h	Dichroic	GX5.3		Any
93506 250 W 120 V	120 V	152.5 mm	51.0 mm	44.5 mm	175 h	Dichroic	GY5.3		s90
93518 300 W 120 V	120 V	152.5 mm	51.0 mm	45.0 mm	35 h	Dichroic	GY5.3		s90

Product description	Certificates & standards	Country specific categorizations	
	EEL – Energy Label	ANSI code	LIF
64607 50 W 8 V	B	EFM	A1/229

Product family datasheet

Product description	Certificates & standards	Country specific categorizations	
	EEI – Energy Label	ANSI code	LIF
64615 HLX	B	EFN	A1/230
64619 90 W 14.5 V		EPX	
64627 HLX	B	EFP	A1/231
64629 100 W 12 V	B	EFP-6	
64637 100 W 12 V	B	EBV	A1/271
64620 150 W 15 V	B	EFR-5	
64634 HLX	B	EFR	A1/232
64635 HLX ¹⁾			
93637 150 W 21 V	E	EJV	
93638 150 W 21 V	E	EKE	
64653 HLX	B	ELC	A1/259
93653 250 W 24 V	E	ELC-3	
64659 250 W 24 V	B	ELC-10	
93506 250 W 120 V	E	ENH	
93518 300 W 120 V	E	ELH	

¹⁾ Infra-red lamp; temperature at the focal point approximately 1300 °C

勝特力材料 886-3-5753170
勝特力电子(上海) 86-21-34970699
勝特力电子(深圳) 86-755-83298787
[Http://www.100y.com.tw](http://www.100y.com.tw)

Product family datasheet

Application advice

For more detailed application information and graphics please see product datasheet.

References / Links

For further technical information please refer to the following OSRAM brochure:

“Technology and applications, Low-voltage tungsten-halogen lamps”

“Halogen lamps, low and medium voltage for entertainment, technical and medical applications” cross reference list

Disclaimer

Subject to change without notice. Errors and omission excepted. Always make sure to use the most recent release.

勝特力材料 886-3-5753170
勝特力电子(上海) 86-21-34970699
勝特力电子(深圳) 86-755-83298787
[Http://www.100y.com.tw](http://www.100y.com.tw)