

Product Information Bulletin

ELC

ELC / 64653 HLX

ELC-3/X

ELC-7/X

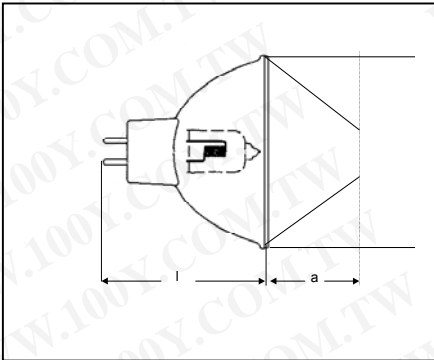
Low Voltage Tungsten Halogen Lamps with Reflector

- Full series of ELC lamps
- Dichroic coated glass reflector (MR16)
- Rugged design
- The ELC 64653 HLX, ELC-3/X and ELC-7/X use OSRAM XENOPHOT® technology (Xenon fill gas)
- New ELC-7/X lamp with 700 hrs. service life



TECHNICAL DATA

Ordering Abbreviation		ELC	ELC / 64653 HLX	ELC-3/X	ELC-7/X
Electrical Data:					
Watts	W	250	250	250	250
Voltage	V	24	24	24	24
Photometric Data:					
Screen Lumens	lm	800	800	550	475
Geometrical Data:					
Length l Max.	mm	44.83	44.5	44.83	44.83
Working Distance a	mm	31.75	35.0	31.75	31.75
Diameter d	mm	51	51	51	51
Other Data:					
Average Service Life	hrs	50	50	300	700
Color Temperature	K	3400	3400	3250	3200
Base		GX 5.3	GX 5.3	GX 5.3	GX 5.3
Bulb		T3.5	T3.5	T3.5	T3.5
Operating Position		Any	p 90/15	Any	Any



勝特力材料 886-3-5753170
 勝特力电子(上海) 86-21-34970699
 勝特力电子(深圳) 86-755-83298787
[Http://www.100y.com.tw](http://www.100y.com.tw)

APPLICATION INFORMATION

Applications

- Overhead Projection
- Fiber-Optic
- Entertainment

WARNING

This lamp emits ultraviolet (UV) radiation and operates at high internal pressure. **Before use**, read the complete warning accompanying the product.

Disposal

When disposing of spent lamps, always consult federal, state, local and provincial hazardous waste disposal rules and regulations to ensure proper disposal.

ORDERING INFORMATION

勝特力材料 886-3-5753170
勝特力电子(上海) 86-21-34970699
勝特力电子(深圳) 86-755-83298787
[Http://www.100y.com.tw](http://www.100y.com.tw)

Lamp Description	NAED Code	Standard Case Quantity
ELC	54840	24/case
ELC / 64653 HLX	54212	20/case
ELC-3 / X	54841	24/case
ELC-7 / X	54814	24/case
ELC-7 / X Bulk	54811	100/case