

PWM LED DIMMER

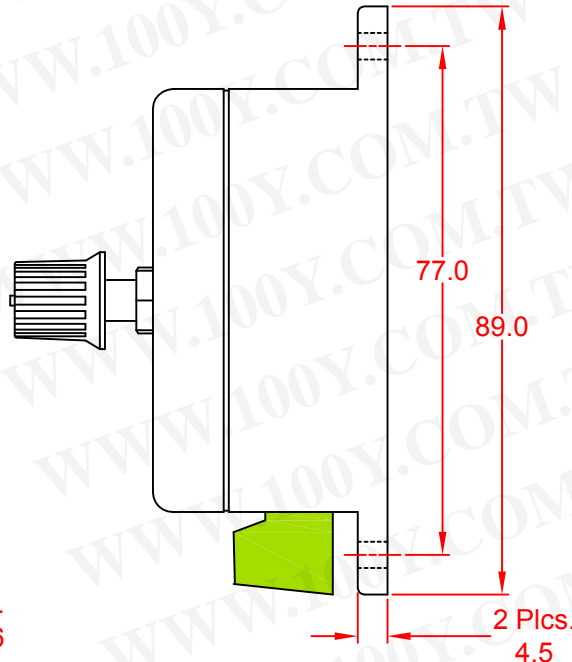
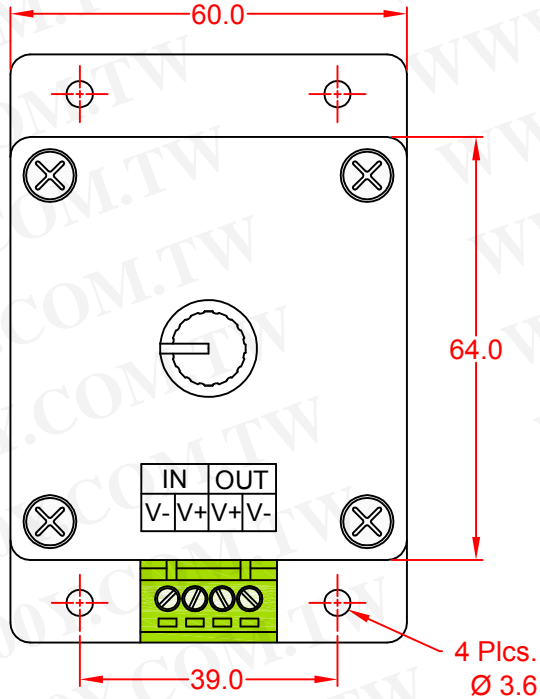
勝特力材料 886-3-5753170
 勝特力电子(上海) 86-21-34970699
 勝特力电子(深圳) 86-755-83298787
[Http://www.100y.com.tw](http://www.100y.com.tw)

FEATURES:

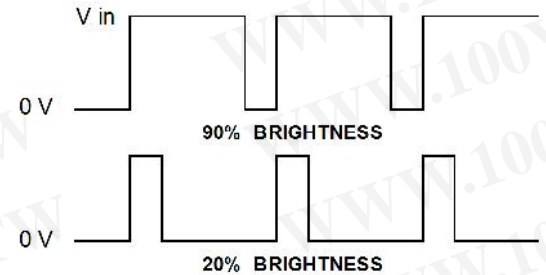
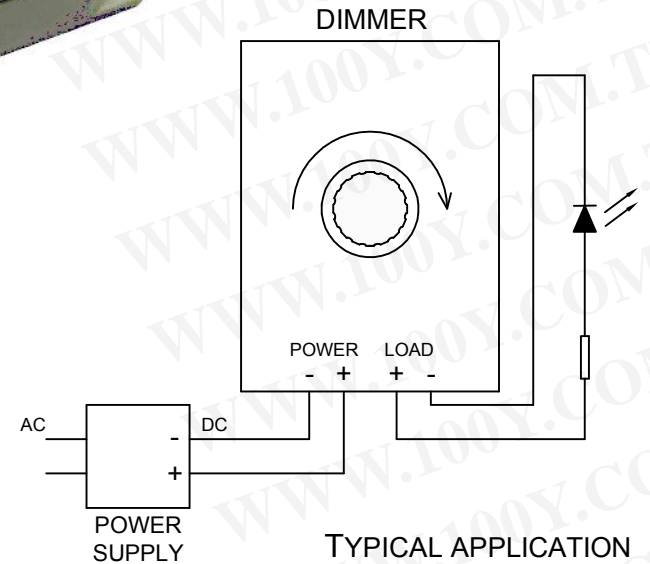
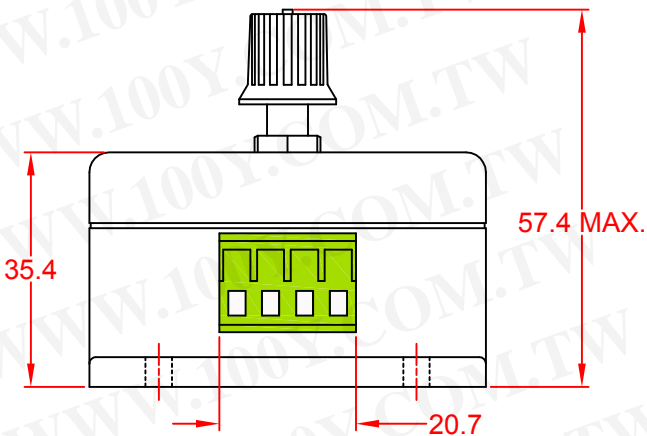
- WILL OPERATE ON 5, 6, 12 OR 24 VOLTS DC
- UP TO 8 AMPS OF AVAILABLE CURRENT DRIVE
- PULSE WIDTH MODULATED OUTPUT FOR SMOOTH TRANSITION FROM 100% TO 20% BRIGHTNESS
- OPERATION TEMPERATURE -20° C TO +60° C
- LOW POWER CONSUMPTION (LESS THAN 1 WATT)



REV.	DESCRIPTION/ECO NO.	DATE
	RELEASED	6/15/10
A	ADD ELECTRICAL CHART	4/14/11
B	CHANGE 24V ON ELECT. CHART	4/26/11
C	ADD FEATURES NOTE & PHOTO	6/24/13
D	ADDED DIMENSIONS	12/19/14



Shaft Diameter - 6.0mm
 Rotation Angle - 120°



JKL PART NO.: ZDM-01

METRIC THIRD ANGLE PROJECTION	DIMENSIONS ARE IN MILLIMETERS TOLERANCE UNLESS OTHERWISE SPECIFIED 1 PL +/- REF. 2 PL +/- REF. ANGLE +/- REF.		JKL COMPONENTS CORPORATION			
			TITLE PWM LED DIMMER			
DRAWN BY L. WENGSTROM	APP'VD BY L.R.	DATE 12/19/14	SIZE A	FSCM NO. 55335	DRAWING NO. ZDM-01	
- CAD DRAWING - MANUAL REVISIONS NOT PERMITTED			SCALE NOT TO SCALE	RELEASED DATE 6/15/10	REVISION DATE 12/19/14	
				REV. NO. D	SHEET 1 OF 1	