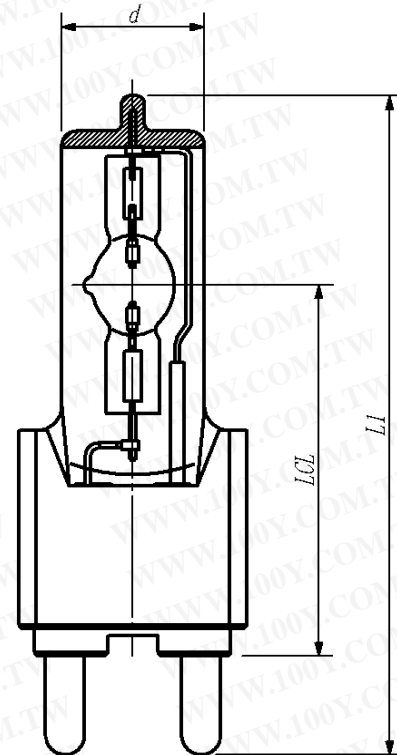


# CSR Lamps

The GE CSR1200/SE/HR/UV-C lamp is the newest addition to the GE hot restrike line of entertainment metal halide lamps giving GE the most complete line of hot restrike lamps in the industry. This lamp is also a UV control lamp meaning that UV is reduced by over 85% vs. standard hot restrike lamps. The CSR1200/SE/HR/UV-C is used mainly in the film industry.

## Product Description CSR1200/SE/HR/UV-C

Order Description	CSR1200/SE/HR/UV-C
Product Code	27746
Pack Quantity	6
Rated Wattage	1200W
Rated Voltage	100-10/+15V
Lamp Current	12A
Ignition Voltage	5/55
Lumens	110000
Lumens per watt	92
Ra	>90
Chromaticity	x 0.333
Coordinates	y 0.333
Color temperature	5600K
Arc Length (C)	10mm
Lamp length (A)	200mm
Light center length (B)	107mm
Lamp diameter	MAX $\phi$ 42mm
Average rated life	750
Base	G38



## Lamp Operation

Burn Position	Any
Maximum Seal Temperature	350°C
Cooling	Convection

## Control Gear

The CSR1200/SE/HR/UV-C can be used on electronic or AC magnetic ballast/igniters control gear.

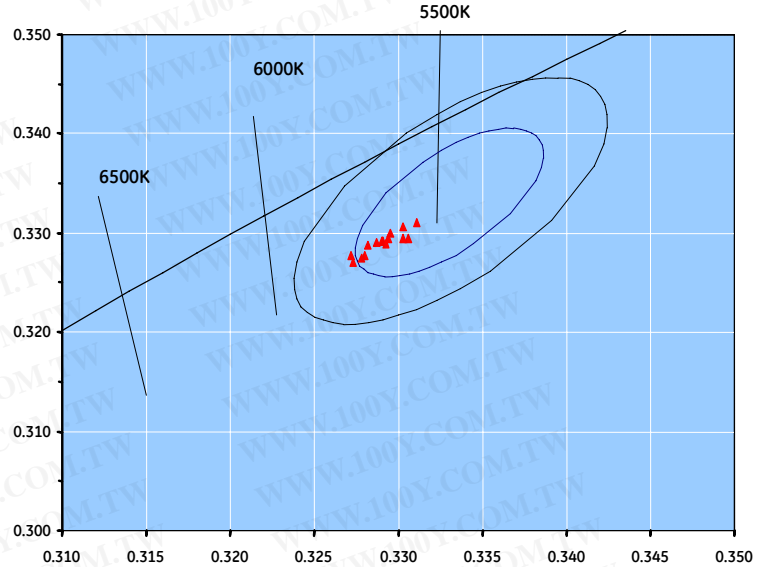


GE imagination at work

# CSR Lamps

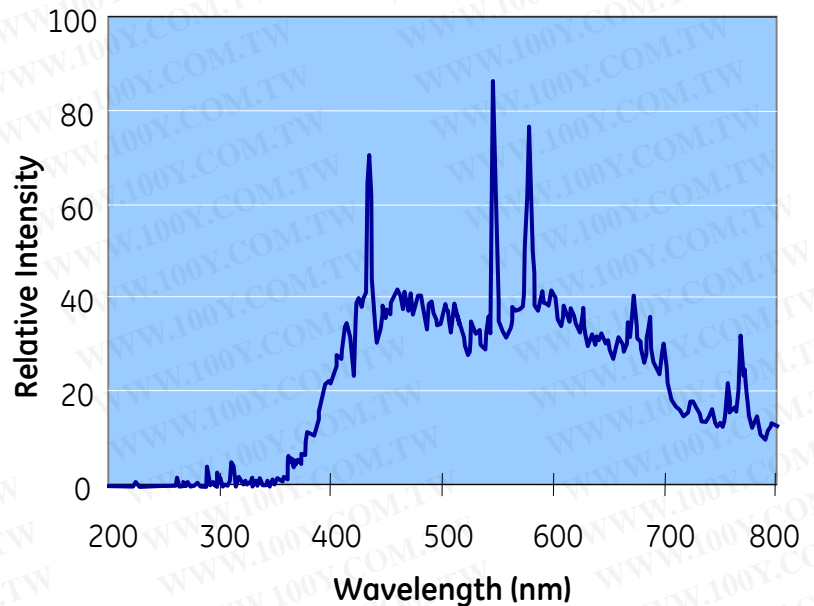
## Color Control

The **GE CSR1200/SE/HR/UV-C** provides unrivalled color control per batch and between batches. All lamps produced operate far within the limits of perceptible color change.



## Spectrum

The lamp employs a UV control outer jacket. This means that effective UV output is reduced by over 85% with UVB and UVC reduced by over 95%.



GE imagination at work

and General Electric are both registered trademarks of the General Electric Company, USA. © General Electric Company (USA) 2006

GE Consumer & Industrial Specialty Lighting is constantly developing and improving its products. For this reason, all product descriptions in this brochure are intended as a general guide, and we may change specifications time to time in the interest of product development, without prior notification or public announcement. All descriptions in this publication present only general particulars of the goods to which they refer and shall not form part of any contract. Data in this guide has been obtained in controlled experimental conditions. However, GE Lighting cannot accept any liability arising from the reliance on such data to the extent permitted by law.

CSR1200/SE/HR/UV-C - Data Sheet - September 2006