

勝特力材料 886-3-5753170
 勝特力电子(上海) 86-21-54151736
 勝特力电子(深圳) 86-755-83298787
 Http://www.100y.com.tw

Energizer

Contractor® Flashlight

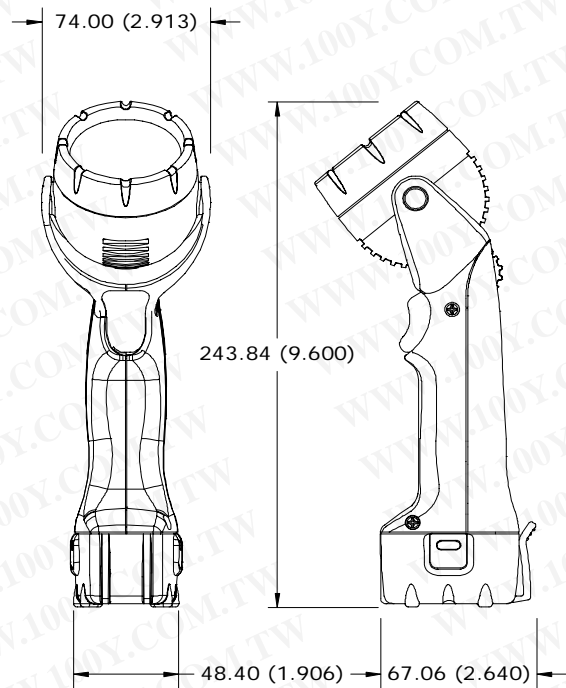


Specifications

Designation: Energizer Flashlight
Power Source: Four AA Size Batteries (ANSI/NEDA 15 Series)
Configuration: Series - Parallel Circuit
Lamp: No. KPR-102 (Rated at 2.4V, 0.7A)
Lamp Life: Rated at 15 Hours
Lamp Output: Rated at 16.5 Lumens
Typical Weight: 181 grams (6.4 oz.) (without batteries)

Physical Dimensions

mm (inches)

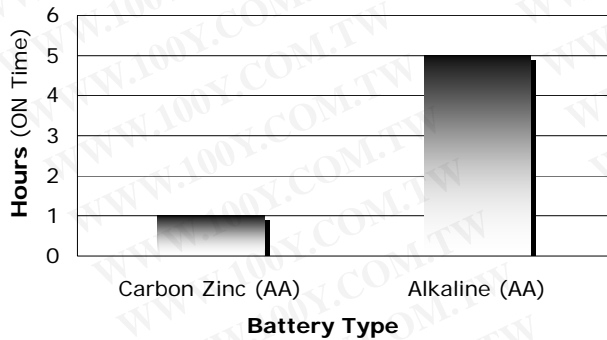


Features

- Swivel Head Rotates 180°
- Belt Clip
- Trigger Switch
- Soft Ergonomic Grip
- Krypton Bulb

Typical Battery Service

350 mA Continuous
 at 21°C (70°F)



Typical Battery Service to 0.9V (per battery) at 21°C (70°F)

Schedule	Battery Type	Hours (ON Time)
350 mA Continuous	1215	1.0
350 mA Continuous	E91	5.0