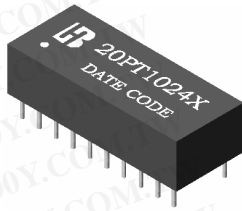


10/100 BASE-TX LAN MAGNETICS FOR AUTO MDI/MDIX APPLICATION

P/N:20PT1024X DATA SHEET

Feature



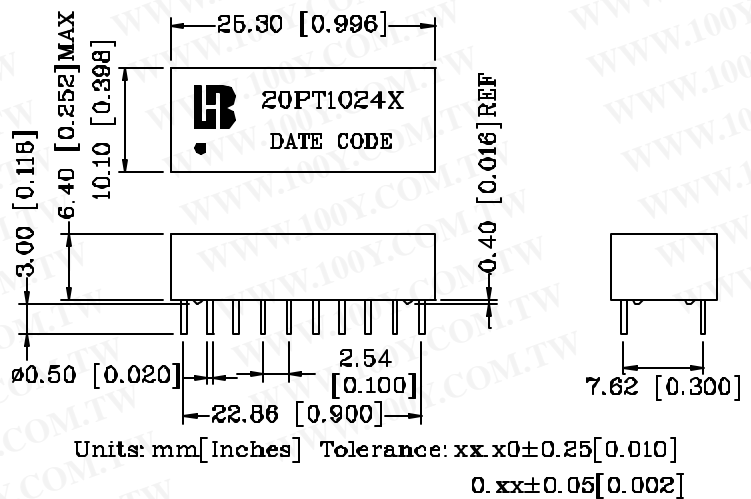
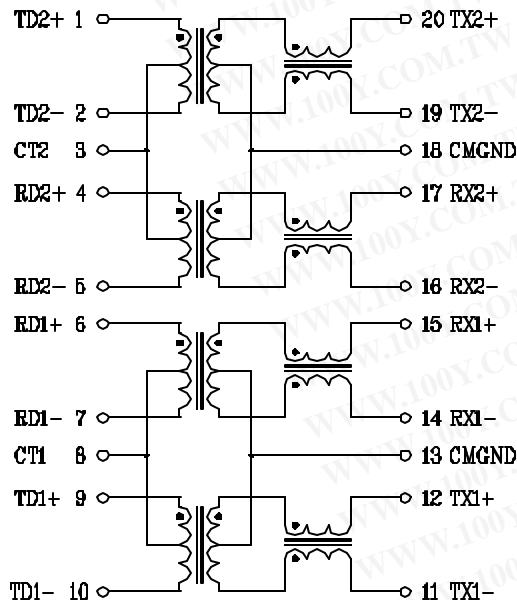
- Compliant with IEEE 802.3u and ANSI X3.263 standards including 350i H OCL with 8mA Bias.
- Symmetrical TX and RX channels for Auto MDI/MDIX capability.
- Approved for use with the Broadcom BCM 5226 and Level One LXT9784.
- Operating temperature range : 0°C to +70°C.
- Storage temperature range: -25°C to +125°C.

Electrical Specifications @ 25°C

Part Number	Turns Ratio (±5%)		OCL(i H Min) @100KHz/0.1Vrms 8mA DC/Bias	C _{ww} (pF Max)	Insulation Resistance (MΩ) @ 50Vdc	DCR (Ω Max) TX/RX	HI-POT (Vrms)		
	TX	RX							
20PT1024X	1CT:1CT	1CT:1CT	350	50	10,000	0.9	1500		
Continue									
Part Number	Insertion Loss (dB Max)	Return Loss (dB Min)			Cross talk (dB Min)		DCMR (dB Min)		
	0.3-100MHz	0.3-30MHz	30-60MHz	60-80MHz	0.3-60MHz	60-100MHz	30MHz	60MHz	100MHz
20PT1024X	-1.1	-18	-14	-12	-45	-35	-40	-35	-30

Schematic

Mechanical



勝特力材料 886-3-5753170
 勝特力电子(上海) 86-21-54151736
 勝特力电子(深圳) 86-755-83298787
[Http://www.100y.com.tw](http://www.100y.com.tw)