

**PC 4/ 2-G-7,62**

Order No.: 1804797

The figure shows a 5-pos. version of the product

<http://eshop.phoenixcontact.de/phoenix/treeViewClick.do?UID=1804797>Header, nominal current: 20 A, rated voltage: 400 V, pitch: 7.62 mm,  
no. of positions: 2, mounting: Soldering**Commercial data**

EAN	4017918046231
Pack	50 Pcs.
Customs tariff	85366990
Weight/Piece	0.005114 KG
Catalog page information	Page 326 (CC-2007)

**Product notes**WEEE/RoHS-compliant since:  
01/01/2003

<http://www.download.phoenixcontact.com>  
Please note that the data given here has been taken from the online catalog. For comprehensive information and data, please refer to the user documentation. The General Terms and Conditions of Use apply to Internet downloads.

**Technical data****Dimensions / positions**

Pitch	7.62 mm
Dimension a	7.62 mm
Number of positions	2
Pin dimensions	1 x 0,8 mm
Hole diameter	1.3 mm

勝特力材料 886-3-5753170  
勝特力电子(上海) 86-21-54151736  
勝特力电子(深圳) 86-755-83298787  
[Http://www.100y.com.tw](http://www.100y.com.tw)

### Technical data

Insulating material group	IIIa
Rated surge voltage (III/3)	6 kV
Rated surge voltage (III/2)	6 kV
Rated surge voltage (II/2)	6 kV
Rated voltage (III/2)	630 V
Rated voltage (II/2)	630 V
Connection in acc. with standard	EN-VDE
Nominal current $I_N$	20 A
Nominal voltage $U_N$	400 V
Maximum load current	20 A
Insulating material	PBT
Inflammability class acc. to UL 94	V0

### Certificates / Approvals



Certification

BV, CSA, CUL, DNV, GL, GOST, LR, RS, UL

#### CSA

Nominal voltage $U_N$	300 V
Nominal current $I_N$	20 A

#### CUL

Nominal voltage $U_N$	300 V
Nominal current $I_N$	35 A

#### UL

Nominal voltage $U_N$	300 V
Nominal current $I_N$	35 A

勝特力材料 886-3-5753170  
勝特力电子(上海) 86-21-54151736  
勝特力电子(深圳) 86-755-83298787  
[Http://www.100y.com.tw](http://www.100y.com.tw)

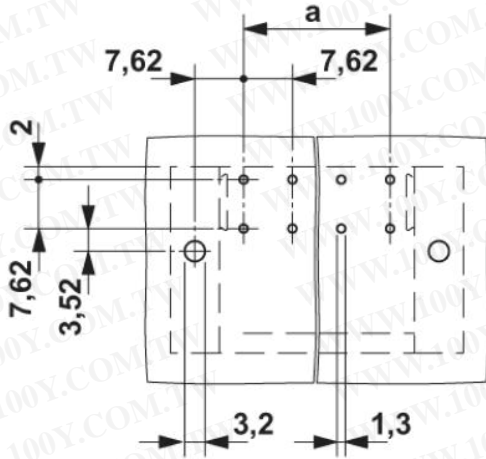
Accessories		
Item	Designation	Description
<b>Assembly</b>		
1827570	BF-PC 4	Mounting flange, is snapped onto the left and right of the headers, for screw connection with PC 4/...-STF-7.62
<b>Marking</b>		
1051993	B-STIFT	Marker pen, for manual labeling of unprinted Zack strips, smear-proof and waterproof, line thickness 0.5 mm
0804549	SK 7,62/3,8:FORTL.ZAHLEN	Marker card, printed horizontally, self-adhesive, 10-section marker strip, 12 identical decades marked 1-10, 11-20 etc. up to 91-99, sufficient for 120 terminal blocks
0805153	SK 7,62/3,8:SO	Marker card, special printing, self-adhesive, labeled acc. to customer requirements, 12 identical marker strips per card, max. 25-position labeling per strip, color: white
0803906	SK U/3,8 WH:UNBEDRUCKT	Unprinted marker cards, DIN A4 format, pitch as desired, self-adhesive, with 40 stamped marker strips, 185 mm strip length, can be labeled with the CMS system or manually with the M-PEN
<b>Plug/Adapter</b>		
1600027	CP-HCC 4	Keying profile, is inserted into the slot on the plug and header, red insulating material

Additional products		
Item	Designation	Description
<b>General</b>		
1848892	PC 4 HV/ 2-ST-7,62	Plug component, nominal current: 20 A, rated voltage: 800 V, pitch: 7.62 mm, no. of positions: 2, type of connection: Screw connection
1882379	PC 4 HV/ 2-STF-7,62	Plug component, nominal current: 20 A, rated voltage: 800 V, pitch: 7.62 mm, no. of positions: 2, type of connection: Screw connection
1804904	PC 4/ 2-ST-7,62	Plug component, nominal current: 20 A, rated voltage: 400 V, pitch: 7.62 mm, no. of positions: 2, type of connection: Screw connection
1828249	PC 4/ 2-STF-7,62	Plug component, nominal current: 20 A, rated voltage: 400 V, pitch: 7.62 mm, no. of positions: 2, type of connection: Screw connection
1840191	PCC 4/ 2-ST-7,62	Plug component, nominal current: 20 A, rated voltage: 400 V, pitch: 7.62 mm, no. of positions: 2, type of connection: Crimp connection

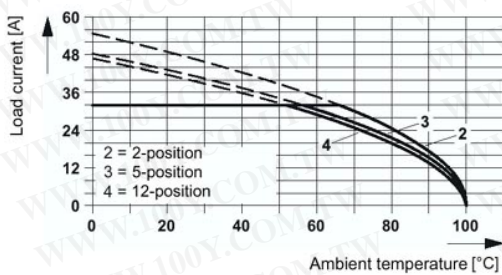
**勝特力材料 886-3-5753170**  
**勝特力电子(上海) 86-21-54151736**  
**勝特力电子(深圳) 86-755-83298787**  
[Http://www.100y.com.tw](http://www.100y.com.tw)

Drawings

Drilling diagram

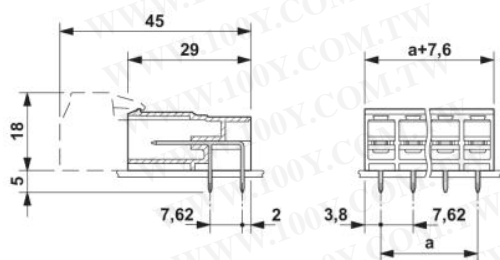


Diagram



The illustration shows the derating curve for plugs PC 5/...-ST-7,62 in combination with header PC 4/...-G-7,62.

Dimensioned drawing



勝特力材料 886-3-5753170  
 勝特力电子(上海) 86-21-54151736  
 勝特力电子(深圳) 86-755-83298787  
[Http://www.100y.com.tw](http://www.100y.com.tw)

**Address**

Nanjing Phoenix Contact Co. Ltd.  
No. 36 Phoenix Road - Jiangning Development Zone /  
P.O. Box 236 Jiangning Nanjing  
CN-211100 Nanjing, China  
Phone +86/25-5212-1888  
Fax +86/25-5212-1999 or 1555  
<http://www.phoenixcontact.com.cn>



© 2008 Phoenix Contact  
Technical modifications reserved;

勝特力材料 886-3-5753170  
勝特力电子(上海) 86-21-54151736  
勝特力电子(深圳) 86-755-83298787  
[Http://www.100y.com.tw](http://www.100y.com.tw)