

## YODEN Ultra Rapid Fuse

Current-limiting fuse for protecting semiconductor featuring high performance and large breaking capacity (UL Standard certification obtained) FILE NO. E192188



Rated voltage 300V → UR30 type 10A to 900A

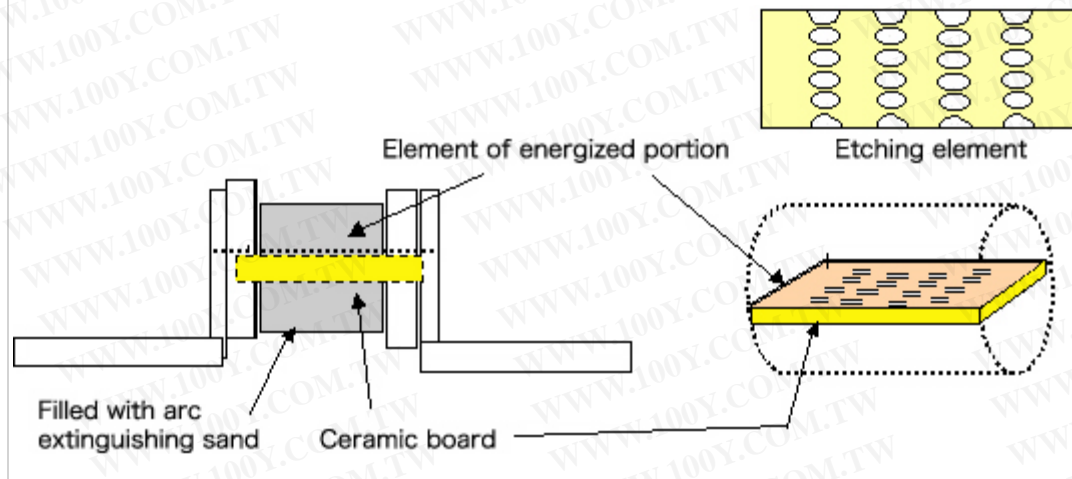
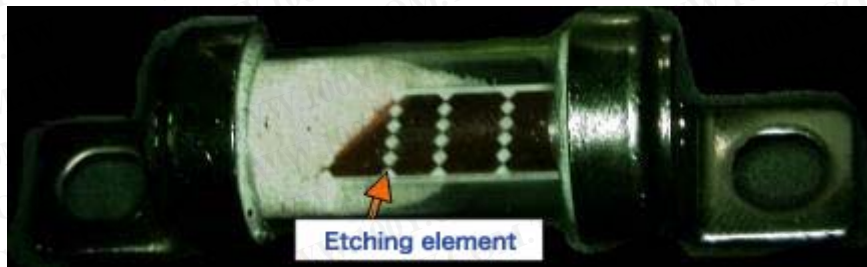
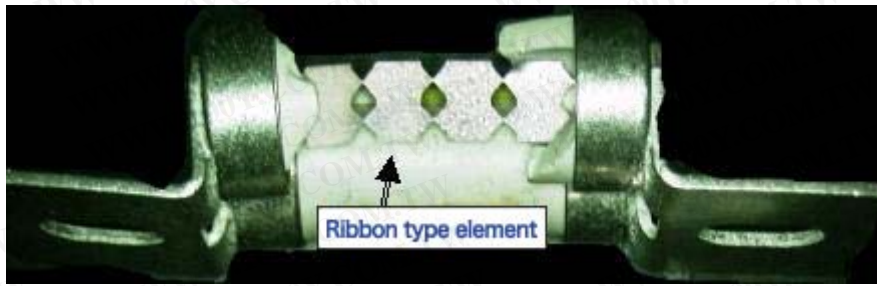
Rated voltage 600V → UR60 type 10A to 900A

Unlike the conventional ribbon type, the element of this fuse is a new product mass-produced by the innovative method of **photo-etching** and greatly improved in breaking, pre-arcing time-current characteristic, mechanical strength, and service life.

### Features

1. Large breaking capacity and superior current-limiting breaking
2. Small I<sup>2</sup>t and low overvoltage
3. Strong against repetitive energization because of etching element. Long life!
4. Less variation in characteristic and free from aged deterioration
5. Small size, light weight. It can also break DC current

勝特力材料 886-3-5753170  
勝特力电子(上海) 86-21-34970699  
勝特力电子(深圳) 86-755-83298787  
[Http://www.100y.com.tw](http://www.100y.com.tw)



勝特力材料 886-3-5753170  
勝特力电子(上海) 86-21-34970699  
勝特力电子(深圳) 86-755-83298787  
[Http://www.100y.com.tw](http://www.100y.com.tw)