

---

**Availability** Stock Item: This item is normally stocked in our distribution facility.

### Technical Characteristics

Approvals	UL Listed File E164862 NLDX2 - CSA Certified File LR43364 Class 3211 04 - IEC Rated 60947 - CE Marked
Horsepower Rating (1-Phase)	0.5HP@115VAC - 1.5HP@230VAC
Inductive Amperes (AC3)	9A
Resistive Amperes (AC1)	20A
Auxiliary Contacts	None
Horsepower Rating (3-Phase)	2HP@200VAC - 3HP@230VAC - 5HP@460/575VAC
Marketing Trade Name	TeSys
Number of Poles	4-Pole
Coil Voltage	110VAC
Maximum Voltage Rating	600VAC
Mounting Type	Panel
Contactor Type	Non-Reversing
Terminal Type	Screw Clamp
Type	TeSys K
Height	2.28 Inches
Depth	2.24 Inches
Width	1.77 Inches
Weight	0.46 Pounds

### Shipping and Ordering

Category	22326 - Contactors, AC, Open, Non-Reversing, K-Line
Discount Schedule	I12
GTIN	00785901832492
Package Quantity	1
Weight	0.4 lbs.
Availability Code	Stock Item: This item is normally stocked in our distribution facility.
Returnability	Y
Country of Origin	FR

As standards, specifications, and designs change from time to time, please ask for confirmation of the information given in this document.

# TeSys contactors



Contactors for control in category AC-1, 20 A

Control circuit: a.c.

勝特力材料 886-3-5753170  
 勝特力电子(上海) 86-21-34970699  
 勝特力电子(深圳) 86-755-83298787  
[Http://www.100y.com.tw](http://www.100y.com.tw)

Contactor selection according to utilisation category, see pages 5/164 and 5/161.  
 Mounting on 35 mm rail or Ø 4 screw fixing.  
 Screws in the open "ready-to-tighten" position.  
 Add-on auxiliary contact blocks and accessories, see pages 5/18 to 5/21.

### 3 or 4-pole contactors for standard applications (1)

Non-inductive loads Category AC-1 Maximum current at $\theta \leq 50^\circ\text{C}$	Number of poles 	Instantaneous auxiliary contacts 	Basic reference, to be completed by adding the voltage code (2) (3)	Weight kg		
<b>A</b>						
<b>Screw clamp connections</b>						
20	3	–	1	–	LC1 K0910●●	0.180
					or LC1 K1210●●	0.180
	3	–	–	1	LC1 K0901●●	0.180
					or LC1 K1201●●	0.180
	4	–	–	–	LC1 K09004●●	0.180
					or LC1 K12004●●	0.180
	2	2	–	–	LC1 K09008●●	0.180

### Spring terminal connections

In the references selected above, insert a figure 3 before the voltage code.  
 Example: LC1 K0910●● becomes LC1 K09103●●.

### Faston connectors, 1 x 6.35 or 2 x 2.8

In the references selected above, insert a figure 7 before the voltage code.  
 Example: LC1 K0910●● becomes LC1 K09107●●.

### Solder pins for printed circuit boards

In the references selected above, insert a figure 5 before the voltage code.  
 Example: LC1 K0910●● becomes LC1 K09105●●.

### 3 or 4-pole silent contactors (1)

Recommended for use in areas sensitive to noise, high interference mains supplies, etc.  
 Coil with rectifier incorporated, suppressor fitted as standard.

### Screw clamp connections

20	3	–	1	–	LC7 K0910●●	0.225
					or LC7 K1210●●	0.225
	3	–	–	1	LC7 K0901●●	0.225
					or LC7 K1201●●	0.225
	4	–	–	–	LC7 K09004●●	0.225
					or LC7 K12004●●	0.225
	2	2	–	–	LC7 K09008●●	0.225

### Faston connectors, 1 x 6.35 or 2 x 2.8

In the references selected above, insert a figure 7 before the voltage code.  
 Example: LC7 K0910●● becomes LC7 K09107●●.

### Solder pins for printed circuit boards

In the references selected above, insert a figure 5 before the voltage code.  
 Example: LC7 K0910●● becomes LC7 K09105●●.

(1) Selection between 9 and 12 A ratings according to number of operating cycles, see AC-1 curve on page 5/164.  
 (2) Standard control circuit voltages (for other voltages, please consult your Regional Sales Office):

### a.c. supply

Contactors LC1 K (0.8...1.15 Uc) (0.85...1.1 Uc)

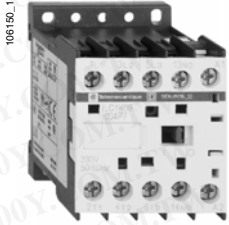
Volts	12	20	24 (3)	36	42	48	110	115	120	127	200/208	220/230	230	230/240
50/60 Hz	J7	Z7	B7	C7	D7	E7	F7	FE7	G7	FC7	L7	M7	P7	U7
Volts	256	277	380/400	400	400/415	440	480	500	575	600	660/690			
50/60 Hz	W7	UE7	Q7	V7	N7	R7	T7	S7	SC7	X7	Y7			

Up to and including 240 V, coil with integral suppression device available: add 2 to the code required. Example: J72.

### Contactors LC7 K (0.8...1.1 Uc)

Volts	24	42	48	110	115	220	230/240
50/60 Hz	B7	D7	E7	F7	FE7	M7	U7

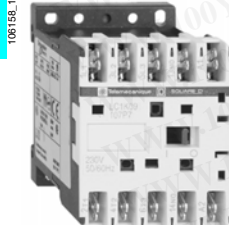
(3) For mains supplies with a high level of interference (voltage surge > 800 V), use a suppressor module LA4 KE1FC (50...129 V) or LA4 KE1UG (130...250 V), see page 5/20.



LC1 K09004●●



LC1 K09103●●



LC1 K09107●●



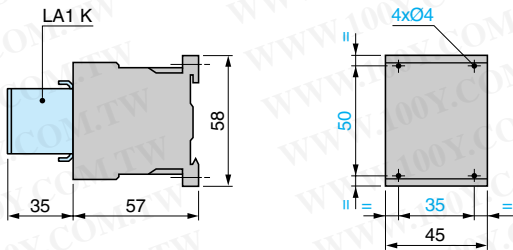
LC1 K09004●●

5

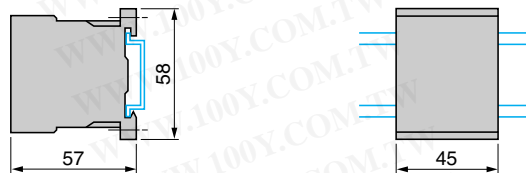
**Contactors**

**LC1 K, LC7 K, LP1 K, LP4 K**

On panel

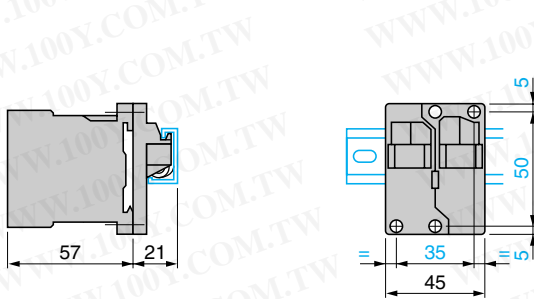


On mounting rail AM1 DP200 or AM1 DE200 (L= 35 mm)

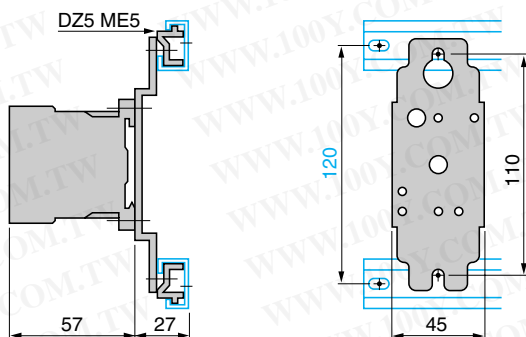


**LA9 D973**

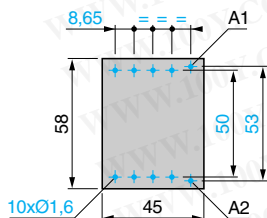
On one asymmetrical rail DZ5 MB with clip-on mounting plates



**DX1 AP25**



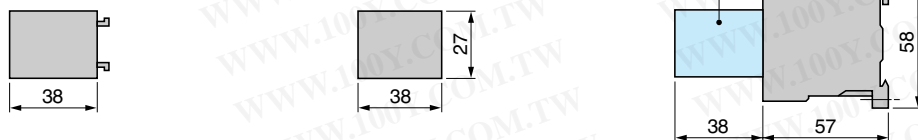
On printed circuit board



**Electronic time delay contact blocks**

**LA2 KT**

On contactor



**Suppressor modules**

**LA4 K●**

On contactor LC1 K or LP1 K

