

FUL, Shock-Safe Fuseholder, 5 x 20 / 6.3 x 32 mm, Slotted Cap



Socket without mounted Cap
Caps must be ordered separately (see accessories)

Socket with Slotted Cap

勝特力材料 886-3-5753170
勝特力电子(上海) 86-21-34970699
勝特力电子(深圳) 86-755-83298787
Http://www.100y.com.tw

500 VAC · 4 W/16 A (VDE) · 600 V · 30 A (UL/CSA)



Description

- Fuseholder for 600 VAC applications
- Fuseholder with high rated power acceptance
- Screw type fuse carrier

Unique Selling Proposition

- Fuseholder for high performance applications
- High rated power acceptance

Standards

- IEC 60127-6
- UL 4248-1
- CSA 22.2 no. 4248.1

Approvals

- VDE Certificate Number: 127214
- UL File Number: E39328


Applications

- Equipment with three-phase supply (400 VAC)
- Applications with rated current up to 16 A (VDE)

Weblinks

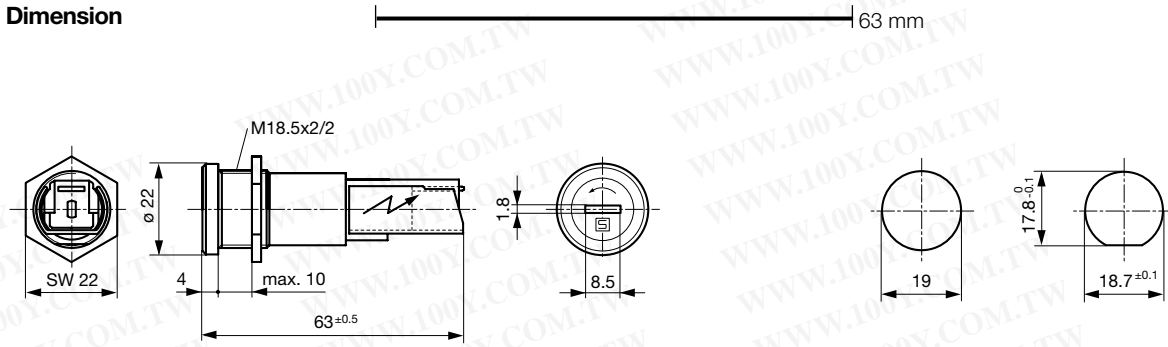
[pdf-datasheet](#), [html-datasheet](#), [General Product Information](#), [Packaging details](#), [Approvals](#), [CE declaration of conformity](#), [RoHS](#), [CHINA-RoHS](#), [REACH](#), [Distributor-Stock-Check](#), [Accessories](#), [Detailed request for product](#)

Technical Data

| | |
|------------------------------|---|
| Shock-Safe Category | PC2 |
| Fuse-Link | 5 x 20 or 6.3 x 32 mm |
| Mounting | Panel Mount, Front Side |
| Attachment | Fixing Nut |
| Terminal | Solder or Quick-Connect 6.3 x 0.8 mm |
| Rated Voltage | 500VAC (VDE), 600V (UL/CSA) |
| Rated current | 16 A (VDE), 30 A (UL/CSA) |
| Rated Power Acceptance IEC | 4 W / 16 A @ Ta 23 °C Admissible power acceptance at higher ambient temperature see derating curves |
| Degree of Protection | IP 40 / IP 67 |
| Protection Class | Suitable for appliances with protection class I or II acc. to IEC 61140 |
| Admissible Ambient Air Temp. | -40 °C to 85 °C |
| Climatic Category | 40/085/21 acc. to IEC 60068-1 |
| Material: Socket | Thermoset, black, UL 94V-0 |
| Material: Terminals | Tin-Plated Copper |
| Unit Weight | 18 g |
| Storage Conditions | 0 °C to 60 °C, max. 70% r.h. |
| Product Marking |  Type, Rated Voltage, Power Rating, Rated current, Approvals |

| | |
|---------------------------------|--|
| Soldering Methods | Iron Soldering Profile |
| Solderability | 350 °C / 3 sec acc. to IEC 60068-2-20, Test Ta, method 2 |
| Resistance to Soldering Heat | 350 °C / 10 sec acc. to IEC 60068-2-20 |
| Contact Resistance | ≤ 10 mΩ at 20 mV acc. to IEC 60127-6 |
| Dielectric Strength | > 3 kV between Life parts (50 Hz; 1 min) |
| Impulse Withstand Voltage | > 4 kV between Life parts |
| Insulation Resistance | ≥ 10 MΩ between Life parts (500 VDC; 1 min) |
| Overvoltage Category | III acc. to IEC 60664-1 |
| Pollution Degree | 3 acc. to IEC 60664-1 |
| Resistance to Vibration | acc. to IEC 60068-2-6, test Fc |
| Admissible Torque on Fixing Nut | max 1.2 Nm |
| Plattendicke | max 10 mm |

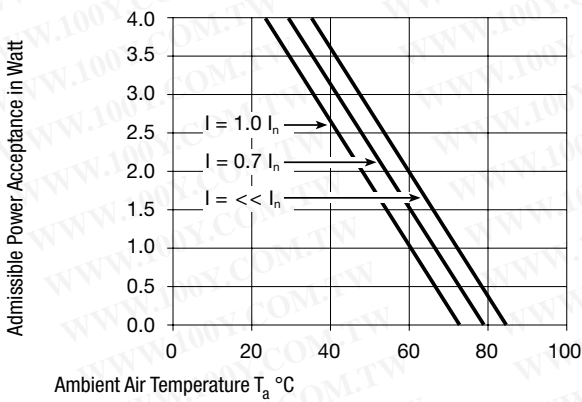
Dimension



Variant 0031.2307 and 0031.2308

Mounting holes

Derating Curves



All Variants

| Holder | Cap | Fuse-Link | Terminal | Degree of Protection | Order Number |
|--------|-----|----------------------|-------------------|----------------------|--------------|
| ● | - | 5 x 20 or 6.3 x 32mm | Solder | IP 40 | 0031.2307 |
| ● | - | 5 x 20 or 6.3 x 32mm | Quick-Connect 6.3 | IP 40 | 0031.2308 |
| ● | - | 5 x 20 or 6.3 x 32mm | Solder | IP 67 | 0031.2303 |
| ● | - | 5 x 20 or 6.3 x 32mm | Quick-Connect 6.3 | IP 67 | 0031.2304 |

Most Popular.

Availability for all products can be searched real-time: <http://www.schurter.com/Stock-Check/Stock-Check-SCHURTER>

Packaging Unit

Bulk (25 pcs.)

Required Accessory

Description



Caps to FUL, FUP, FUA
Caps to Holder FUL, FUP, FUA



Caps to FUL (IP 67)
Caps to Holder FUL (IP 67)



勝特力材料 886-3-5753170
勝特力电子(上海) 86-21-34970699
勝特力电子(深圳) 86-755-83298787
[Http://www.100y.com.tw](http://www.100y.com.tw)

Accessories



Cover FIZ, FUL
Insulation Cover for FIZ, FUL