

Shock-Safe Fuseholder, 5 x 20 mm, horizontal, Slot/Fingergrip, SMD, IEC 60335-1



Fingergrip

勝特力材料 886-3-5753170
 勝特力电子(上海) 86-21-34970699
 勝特力电子(深圳) 86-755-83298787
[Http://www.100y.com.tw](http://www.100y.com.tw)

250 VAC · 2.5 W/10 A (VDE) · 400 VAC · 16 A (UL/CSA)

**Description**

- Surface Mount Device
- Glow wire tests acc. to IEC 60695-2-12 and -13
- Cap is available slotted or fingergrip

Standards

- IEC 60127-6
- UL 4248-1 / UL 512
- CSA C22.2 no. 39

Approvals

- VDE Certificate Number: 129098
- UL File Number: E39328

Applications

- Industrial electronic
- Household appliances
- Medical equipments

References

[Packaging Details](#)

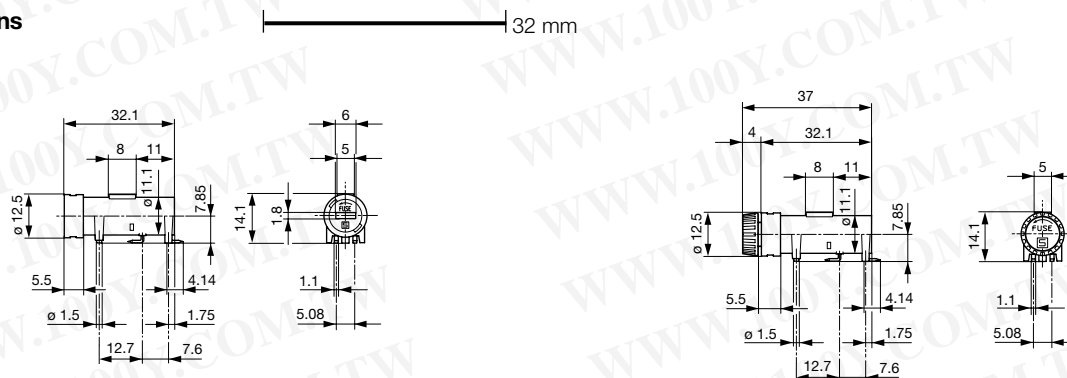
Weblinks

[pdf-datasheet](#), [html-datasheet](#), [General Product Information](#), [Approvals](#), [RoHS](#), [CHINA-RoHS](#), [e-Shop](#), [SCHURTER-Stock-Check](#), [Distributor-Stock-Check](#), [Detailed request for product](#)

Technical Data

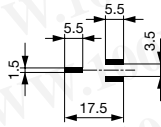
Shocksafe Category	PC2
Fuse-Link	5 x 20 mm
Mounting	PCB
Terminal	Solder SMT
Rated Voltage	250VAC , 400VAC (UL/CSA)
Rated Current	10A (VDE), 16A (UL/CSA)
Rated Power Acceptance IEC	2.5 W / 10 A @ Ta 23°C Admissible power acceptance at higher ambient temperature see derating curves
Degree of Protection	IP 40
Protection Class	Suitable for appliances with protection class I or II acc. to IEC 61140
Admissible Ambient Air Temp.	-40°C to 85°C
Climatic Category	40/085/21 acc. to IEC 60068-1
Material: Socket	Thermoplastic, black, UL 94V-0
Material: Terminals	Tin-Plated Copper Alloy
Unit Weight (Socket/Cap)	4.4 g
Storage Conditions	0°C to 60°C, max. 70% r.h.
Product Marking	Type, Dielectric strength, Power Acc./Current Rating, Approvals

Soldering Methods	Reflow
Solderability	245°C / 3 sec acc. to IEC 60068-2-58, Test Td
Resistance to Soldering Heat	260°C / 10sec acc. to IEC 60068-2-58 Test TD
Contact Resistance	< 5mΩ at 20 mV
Dielectric Strength	> 3kV between L-N (50Hz; 1 min)
Impulse Withstand Voltage	> 2.5kV between L-N
Insulation Resistance	> 10MΩ between L-N (500VDC; 1 min)
Overvoltage Category	I - II acc. to IEC 60664-1
Pollution Degree	1 - 3 acc. to IEC 60664-1
Resistance to Vibration	acc. to IEC 60068-2-6, test Fc

Dimensions

Variant 3101.0070

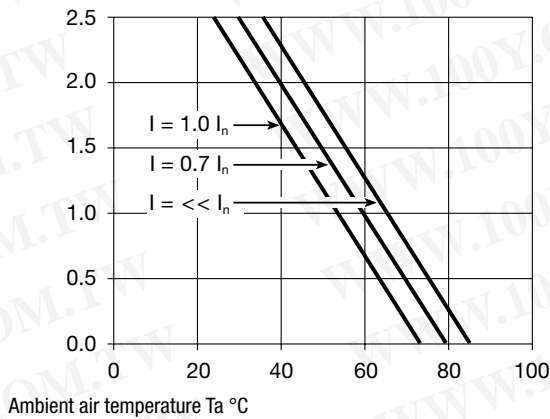
Variant 3101.0075



勝特力材料 886-3-5753170
 勝特力电子(上海) 86-21-34970699
 勝特力电子(深圳) 86-755-83298787
[Http://www.100y.com.tw](http://www.100y.com.tw)

Soldering pads

Derating Curves



Variants

Holder	Cap	Material	Reflow Condition	Remark	Order Number
●	Slot Knob	Thermoplastic	acc. to JEDEC J-STD-020C, T _p =240 +0/-5 °C, t _p = 20-40 s	-	3101.0070
●	Slot Knob	Spec. Thermoplastic	acc. to JEDEC J-STD-020C, T _p =260 +0/-5 °C, t _p = 20-40 s	-	3101.0071
●	Fingergrip	Thermoplastic	acc. to JEDEC J-STD-020C, T _p =240 +0/-5 °C, t _p = 20-40 s	-	3101.0075
●	Fingergrip	Spec. Thermoplastic	acc. to JEDEC J-STD-020C, T _p =260 +0/-5 °C, t _p = 20-40 s	-	3101.0076

Spec. thermoplastic meets the new requirements of IEC 60335-1 Ed. 4.0 for appliances in unattended use (clause 30.2.3). This standard includes the enhanced requirements of glow wire tests acc. to IEC 60695-2-12 and -13.

Packaging Unit

xxxx.xxxx	Bulk 186 x 91 x 91 mm (100 pcs.)
xxxx.xxxx.D2	Blister Tape 38 cm Reel (250 pcs.)