

# MCF05G Series

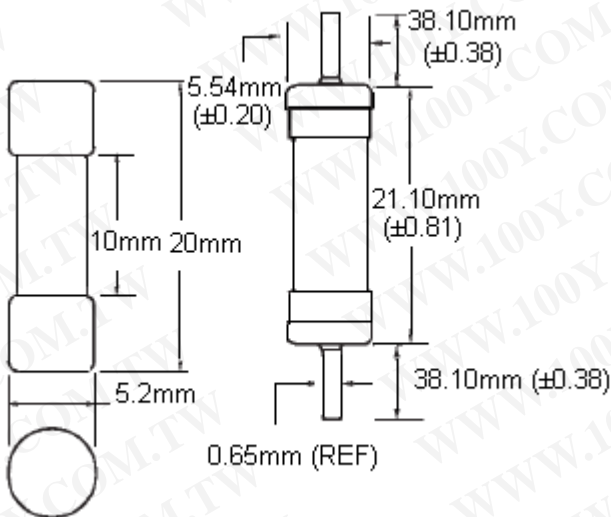
## Antisurge (T) Glass Fuses



### Features:

- Fast acting, low breaking capacity.
- 5mm x 20mm physical size.
- Glass tube, nickel-plated brass endcap construction.
- Optional axial leads are .032" x 1.5" copper tinned.
- Designed to IEC 60127-2 (32mA - 6.3A).
- RoHS Compliant version available (-R option).

### Dimensions



Ratings above 6.3A have a 0.8mm diameter lead

勝特力材料 886-3-5753170  
 勝特力电子(上海) 86-21-34970699  
 勝特力电子(深圳) 86-755-83298787  
[Http://www.100y.com.tw](http://www.100y.com.tw)

### Electrical Characteristics

In	1.5In		2.1In		2.75In		4In		10In
	minimum (Seconds)	maximum (Seconds)	minimum (Seconds)	maximum (Seconds)	minimum (Seconds)	maximum (Seconds)	minimum (Seconds)	maximum (Seconds)	
32mA - 100mA	3600	1800	0.01	0.5	0.003	0.1	0.02		
125mA - 6.3A	3600	1800	0.05	2	0.01	0.3	0.02		



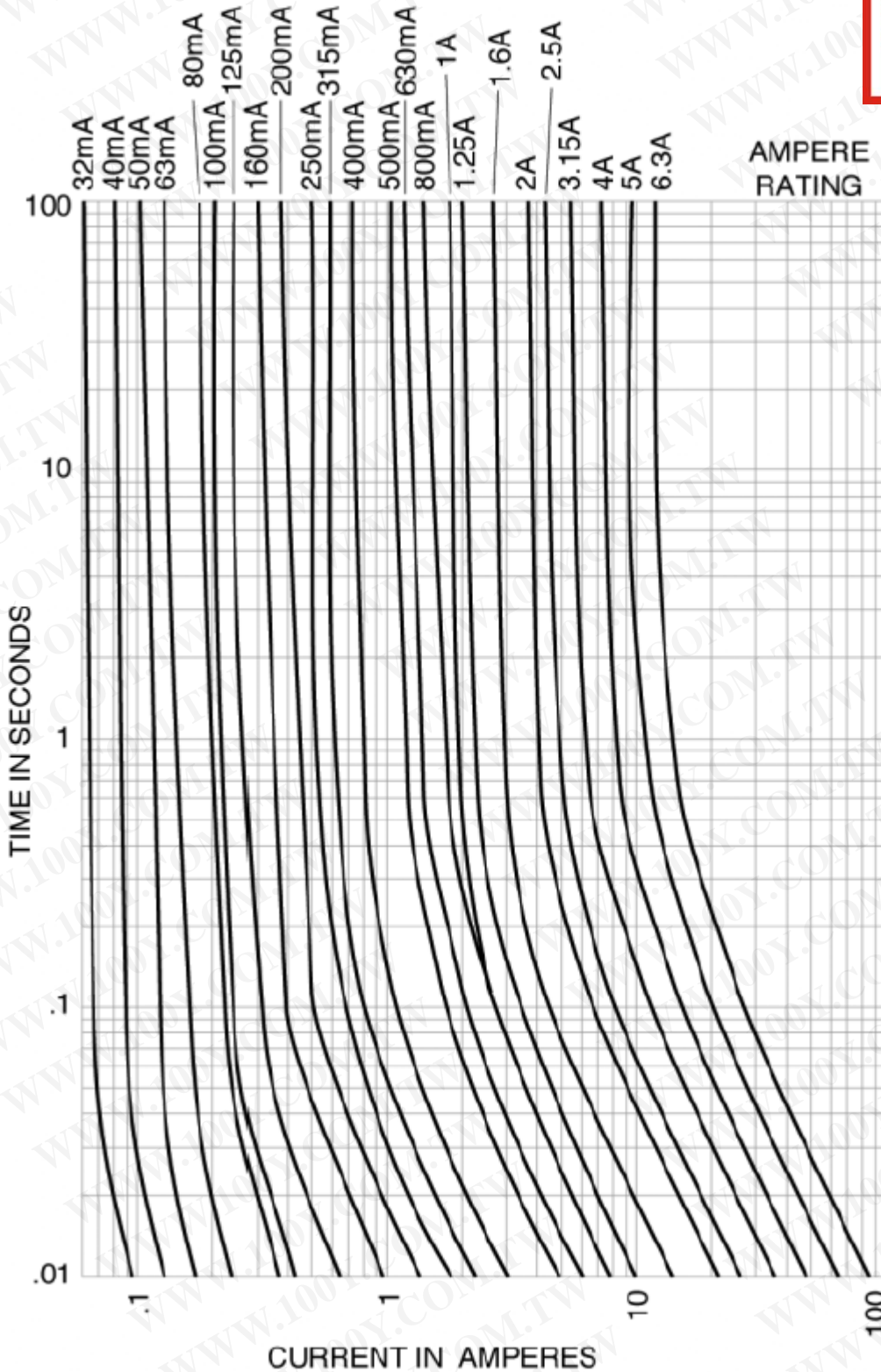
# MCF05G Series

## Antisurge (T) Glass Fuses



Time - Current Characteristics Curve - Average Melt

勝特力材料 886-3-5753170  
勝特力电子(上海) 86-21-34970699  
勝特力电子(深圳) 86-755-83298787  
[Http://www.100y.com.tw](http://www.100y.com.tw)



# MCF05G Series

## Antisurge (T) Glass Fuses



### Specifications

Voltage Rating (V ac)	Interrupting Rating at Rated Voltage (50Hz) AC (Amps)	Typical DC Cold Resistance (ohms)*	Typical Melting I <sup>2</sup> t (A <sup>2</sup> Sec) AC**	Typical Voltage Drop (mV)***	Part Number
250	35	0.098	0.84	200	MCF05G-1.25A
		2.9	0.005	1000	MCF05G-125MA
		9.2	0.008	2000	MCF05G-160MA
		7	0.016	1700	MCF05G-200MA
		4.5	0.28	1400	MCF05G-250MA
		3.2	0.58	1300	MCF05G-315MA
		1.9	0.18	1100	MCF05G-400MA
		0.27	0.18	220	MCF05G-500MA
		0.21	0.35	220	MCF05G-630MA
		3.9	0.003	1100	MCF05G-100MA
		0.13	0.6	200	MCF05G-1A
		-	-	-	MCF05G-10A
		0.068	1.6	190	MCF05G-1.6A
		0.044	4.2	150	MCF05G-2A
		0.035	6.1	150	MCF05G-2.5A
		0.026	13	130	MCF05G-3.15A
		0.022	22	130	MCF05G-4A
		0.015	42	120	MCF05G-5A
		0.01	69	120	MCF05G-6.3A
		-	-	-	MCF05G-8A
0.15	0.67	190	MCF05G-800MA		

\* DC Cold Resistance (Measured at <10% of rated current).

\*\* Typical Melting I<sup>2</sup>t (I<sup>2</sup>t was measured at listed interrupting rating and rated voltage).

\*\*\* Maximum Voltage Drop (Voltage drop was measured at 20°C ambient temperature at rated current).

### Part Number Explanation

**MCF05G**

Series

**2.5A**

Rating

**Rating** : 100mA, 125mA, 160mA, 200mA, 250mA, 315mA, 400mA, 500mA, 630mA, 800mA, 1A, 1.25A, 1.6A, 2A, 2.5A, 3.15A, 4A, 5A, 6.3A, 8A and 10A  
Where mA = milliampere, A = Ampere.

勝特力材料 886-3-5753170  
 勝特力电子(上海) 86-21-34970699  
 勝特力电子(深圳) 86-755-83298787  
[Http://www.100y.com.tw](http://www.100y.com.tw)

