

勝特力材料 886-3-5753170
 勝特力电子(上海) 86-21-34970699
 勝特力电子(深圳) 86-755-83298787
[Http://www.100y.com.tw](http://www.100y.com.tw)



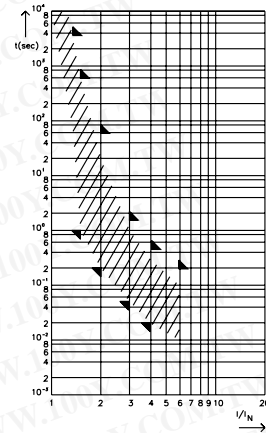
CF Fuse Rated 58V



Specifications

LWS 155.0892
 DIN 72581/6
 UL 248 Special Purpose Fuses
cULus Recognized: File No. E211637
Insulating body: Out of ceramic
Cover: Out of thermoplast (UL 94-V0, heat resistant)
 Visible melting-element
Packaging unit: 100 pieces
Breaking capacity 2,000A, 58 VDC

Pre-arcing Time - limits / Schmelzeit-Grenzwerte DIN

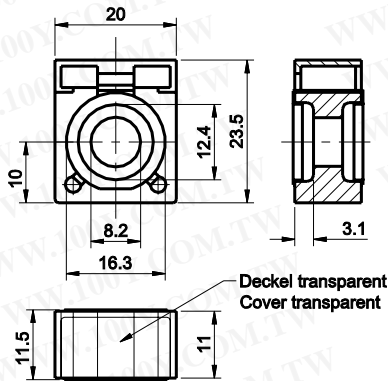


Main Fuse for mounting with battery clamp on the battery pole.
 Voltage rating 58 VDC, Current rating 50A - 300A. With
 transparent cover for visual inspection of melting element.

Hauptsicherung zur Montage an der Batterieklemme.
 Nennspannung 58 VDC, Nennstrom 50A bis 300A. Transparente
 Abdeckung für visuelle Überprüfung des Schmelzelements.

$I_f = 1.25$ (max. operating current:
 $0.8 \times I_{rat}$ at 23°C)

Dimensions in mm /
Maße in mm



Time-Current Characteristics / Schmelzeit-Grenzwerte

% of Rating % des Nennstromes	Opening Time Min / Max (s) Schmelzcharakteristik Min / Max (s)
100	100 h / -
135	- / 3,600 s
150	1 s / 600 s
200	200 ms / 60 s
300	50 ms / 1,5 s
400	20 ms / 500 ms
600	- / 200 ms

Part Number Artikel-Nr.	Current Rating Nennstrom	Typ. Voltage Drop Typ. Spannungsfall	Cold Resistance Kaltwiderstand	I^2t
155.0892.5501	50 A	100 mV	1.20 mΩ	1,900 A ² s
155.0892.5751	75 A	90 mV	0.60 mΩ	12,000 A ² s
155.0892.6101	100 A	80 mV	0.60 mΩ	14,000 A ² s
155.0892.6121	125 A	75 mV	0.45 mΩ	51,000 A ² s
155.0892.6151	150 A	70 mV	0.35 mΩ	63,800 A ² s
155.0892.6171	175 A	70 mV	0.25 mΩ	120,000 A ² s
155.0892.6201	200 A	65 mV	0.25 mΩ	172,800 A ² s
155.0892.6251	250 A	70 mV	0.20 mΩ	330,000 A ² s
155.0892.6301	300 A	70 mV	0.15 mΩ	372,000 A ² s

Insert CF8-Fuse links only in conjunction with the insulating nuts, see Section "Fuse Holders."
 Corresponding battery clamp see Section "Fuse Holders."