

勝特力材料 886-3-5753170
 勝特力电子(上海) 86-21-34970699
 勝特力电子(深圳) 86-755-83298787
 Http://www.100y.com.tw

Modulostar CMS8



Size	CCD configurations	Cat. number w/o indicator light	Ref.number	Cat. number with indicator light	Ref.number	Pckg
8 x 31,5	1	CMS81	X305000K	CMS81I	E305007K	12
8 x 31,5	1+N	CMS81N	Y305001F	CMS81NI	F305008F	6
8 x 31,5	2	CMS82	Z305002F	CMS82I	G305009F	6
8 x 31,5	3	CMS83	A305003D	CMS83I	H305010D	4
8 x 31,5	3+N	CMS83N	B305004C	CMS83NI	J305011C	3
8 x 31,5	4	CMS84	C305005C	CMS84I	K305012C	3
8 x 31,5	N *	CMS810N	D305006K			12

Modulostar CMS10



Size	CCD configurations	Cat. number w/o indicator light	Ref.number	Cat. number with indicator light	Ref.number	Pckg
10 x 38	1	CMS101	T305020K	CMS101I	A305026K	12
10 x 38	1+N	CMS101N	V305021F	CMS101NI	B305027F	6
10 x 38	2	CMS102	W305022F	CMS102I	C305028F	6
10 x 38	3	CMS103	X305023D	CMS103I	D305029D	4
10 x 38	3+N	CMS103N	Y305024C	CMS103NI	E305030C	3
10 x 38	4	CMS104	Z305025C	CMS104I	F305031C	3

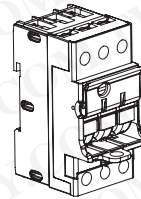
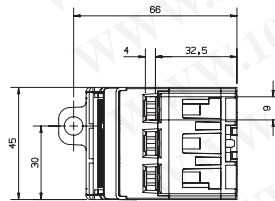
Modulostar CMSFM10



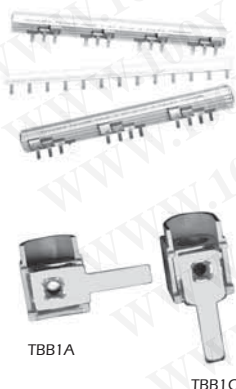
Compact Fusegear for Motor starter 3pole/45mm

Nb of pole	Cat Number	Ref.Number	Fonction		Pack
			Fuse Holder	Fuse Discon.	
3 poles	CMSFM10	S302765A	w/o Indicator		1
system /	CMSFM10M	T302766A		w/o Indicator	1
45 mm	CMSFM10I	W302768A	with Indicator		1
width	CMSFM10MI	V302767A		with Indicator	1

Fuse holder is without Prebreaking Microswitch (see accessories)
 Fuse disconnector is with mounted Prebreaking Microswitch



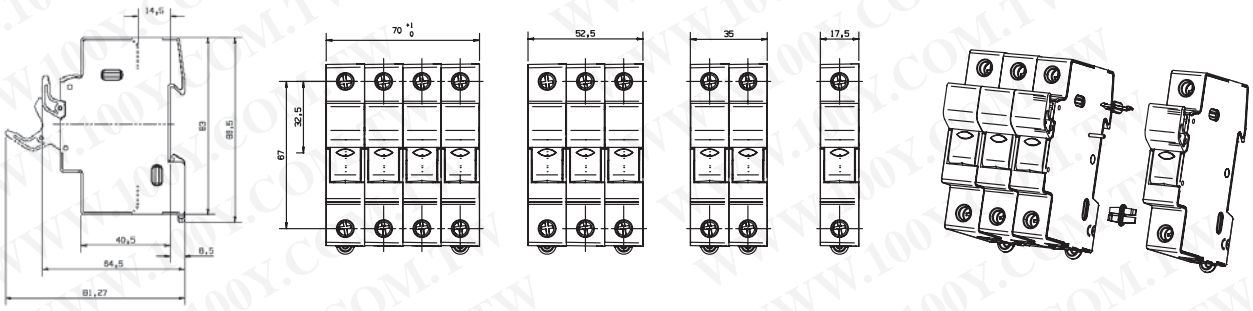
Accessories for CMS8, CMS10



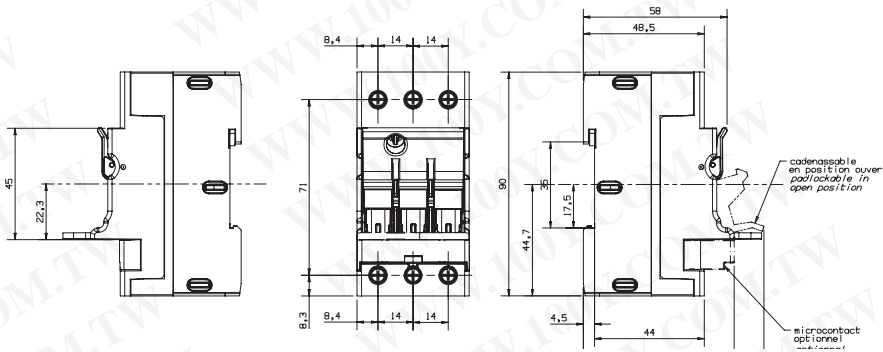
Description	Cat.number	Ref. number	Nb.Modules 17,5 mm	Courant maxi RMS (A)	Nb. of pole	Pckg
Multi-pole assembly kit	CMS810PAK	Z233725K				12
Lock	LOCK	M223525A				1
Locking kit	TAGLOCKCMS810	A235773A				1
Single-phase size 8/10 comb connection	CMS810BB1F13	T210306J	13	63	1	10
2-phase size 8/10 comb connection	CMS810BB2F6	V210307J	6	63	2	10
3-phase size 8/10 comb connection	CMS810BB3F4	W210308J	4	100	3	10
4-phase size 8/10 comb connection	CMS810BB4F3	X210309J	3	100	4	10
Single-pole terminal, side	TBB1C	E210316P		90		50
2/3-pole terminal, side	TBB23C	G210318P		90		50
Single-pole terminal, axial	TBB1A	D210315P		90		50
2/3-pole terminal, axial	TBB23A	F210317P		90		50

勝特力材料 886-3-5753170
 勝特力电子(上海) 86-21-34970699
 勝特力电子(深圳) 86-755-83298787
 Http://www.100y.com.tw

Drawings for CMS8-10



Drawings for compact fusegear Motor starter



Accessories

Catalog Number	Reference	Cond.
PLUG3CMSFM	B264041E	5
WBAR2CMSFM	C264042E	5
RDINCCMSFM	D264043A	1
WIRCMSFMC	E264044E	5

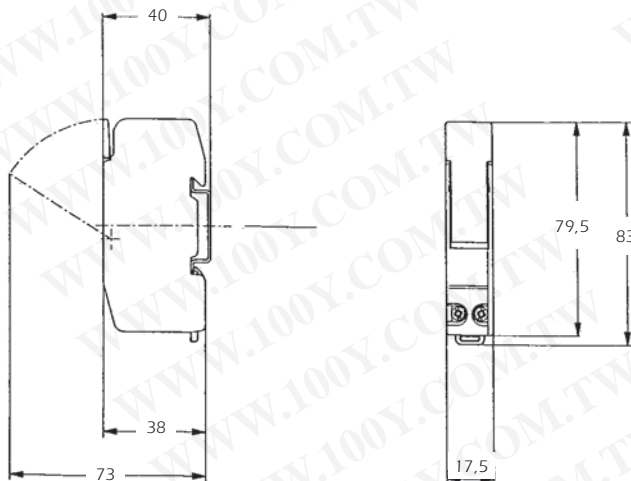
CCR fuse holder

Size	Number of pole	Cat.number	Reference Number	Number of Mod.	Pckg
10x38	N	CCR810N	Z214635K	1	12
10x38	1	CCR101	N218213K	1	12
10x38	1+N	CCR1N1M	H215655K	1	12
10x38	2	CCR102	X233723F	2	6
10x38	3	CCR103	Y233724D	3	4

Assembly accessories	Cat. Number	Ref.Number	Pckg
CCR multi-pole assembly kit	CMS810PAK	Z233725K	12*

* 12 per bag

Compact Fuse Holder



- Direct mounting on symmetrical DIN rail
- Wire cross sections: 1 x 10mm².
- Compact footprint.
- Insulated to IP 20 standard
- Single-pole weight
 - 8x31 ; 58g
 - 10x38 ; 63g
- Neutral tubes are systematically built in

With the indicator light a blown fuse can be quickly located if power is still on

MSC 10 fuse holder Phase + Neutral (1 mod.)

Fuse holder phase+neutral in a 17.5 mm - width compact module

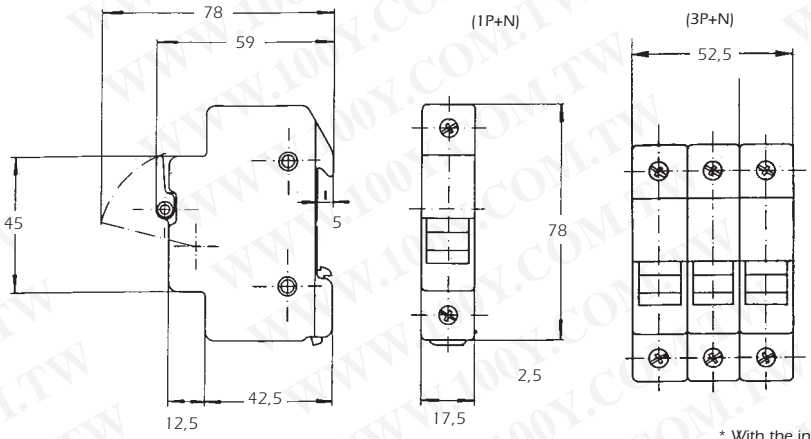
Compact Fuse Holder



Nb. of Poles	Model without blown fuse indicator light		Model with blown fuse indicator light		Nb Mod	Pckg
	Cat. Number	Ref. number	Cat. Number	Ref. Number		
1+N	MSC101N1M	Y201317K	MSC101N1MI	C211050K	1	12
3+N	MSC103N3M	S218217D	MSC103N3MI	S226612D	3	4

Assembly accessories	Cat. Number	Ref. Number	Pckg
2-pole pin	MSCMSDMAASS2	G215125J	10*
3-pole pin	MSCMSDMAASS3	Q216145J	10*
4-pole pin	MSCMSDMAASS4	A217166J	10*

* 10 Pins per bag



- Direct mounting on symmetrical DIN rail
- Indicator light (120/690V)*
- Wiring cross sections:
 - single-pole: 1 x 16mm²
 - single-pole + neutral: 1 x 10 mm²
- Insulated to IP 20 standard
- Single-pole weight
 - 8x31 ; 63 g
 - 8x31 - Ph + N1M ; 63 g
 - 10x38 ; 63 g
 - 10x38 - Ph + N1M ; 68 g

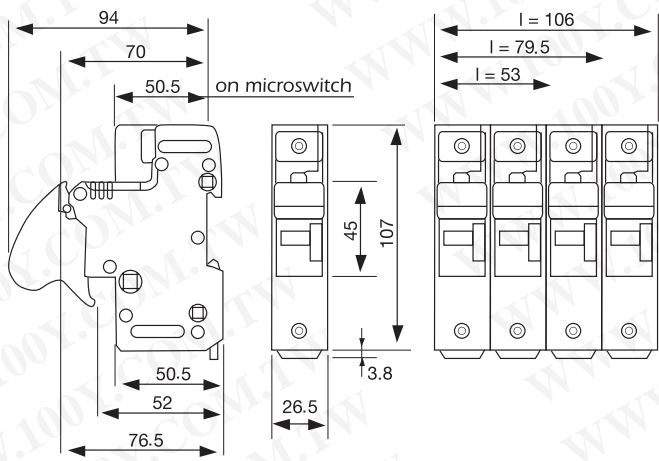
* With the indicator light a blown fuse can be quickly located if power is still on

Modulostar CMS14



Size	CCD configurations	Cat. number w/o indicator light	Ref. number	Cat. number with indicator light	Ref. number	Pckg
14 x 51	1	CMS141	A331016F	CMS141I	L331049F	6
14 x 51	1+N	CMS141N	T331010C	CMS141NI	M331050C	3
14 x 51	2	CMS142	R331031C	CMS142I	M331004C	3
14 x 51	3	CMS143	J212091B	CMS143I	K331071B	2
14 x 51	3+N	CMS143N	D331042A	CMS143NI	Q331007A	1
14 x 51	4	CMS144	F331021A			1
14 x 51	N	CMS14N	T331056F			6
14 x 51 for fuses with striker	1			CMS141AC	F331044F	6
14 x 51 with microswitches (+ pre-isolation)	1	CMS141M	Z331038F	CMS141MI	S331055F	6
	2 (2 switches)	CMS142M	A331062C	CMS142MI	X331036C	3
	3	CMS143M	F331067B	CMS143MI	P331006B	2
(for fuses with striker)	3 (2 switches)	CMS143M2	H331069B	CMS143M2I	Y331037B	2
	3+N	CMS143NM	E331043A	CMS143NMI	Y331037A	1

勝特力材料 886-3-5753170
 勝特力电子(上海) 86-21-34970699
 勝特力电子(深圳) 86-755-83298787
[Http://www.100y.com.tw](http://www.100y.com.tw)



Accessories for CMS14



Description	Cat.number	Ref. number	Nb.Modules 17,5 mm	Pckg
Single-pole CMS14 auxiliary microswitch kit	CMS14W1	M218741	1.5	1
3-pole CMS14 auxiliary microswitch kit	CMS14W2	C219261	4.5	1
3-pole CMS14 2 auxiliary microswitch kit	CMS14W3	D219791	4.5	1
Auxiliary microswitch assembly pin (between 2 auxiliary microswitch kits)	CMS1422PTH	J214138		10
Enlargement pin for auxiliary microswitches	CMS14BP	F213629		10
Multi-pole assembly kit	CMS1422PAK	Z218223		10
Indicator light kit	CMS14LIH	A225653		1
Lock	CMS14LOK	M223525		1

Modulostar CMS22



Size	CCD configurations	Cat. number w/o indicator light	Ref. number	Cat. number with indicator light	Ref. number	Pckg
22 x 58	1	CMS221	T331079F	CMS221I	B331086F	6
22 x 58	1+N	CMS221N	H331092C	CMS221NI	S215158C	3
22 x 58	2	CMS222	Q331122C	CMS222I	D331134C	3
22 x 58	3	CMS223	E331135B	CMS223I	D331134B	2
22 x 58	3+N	CMS223N	A331108A	CMS223NI	A218224A	1
22 x 58	4	CMS224	Q331099A			1
22 x 58	N	CMS22N	K331094F			6
22 x 58 for fuses with striker	1			CMS22AC	V331103F	6
22 x 58 with microswitches (+ pre-isolation) (for fuses with striker)	1	CMS221M	D219262F	CMS221MI	N331074F	6
	2 (2 switches)	CMS222M	E219792C	CMS222MI	P331098C	3
	3	CMS223M	Q222470B	CMS223MI	E331112B	2
	3 (2 switches)	CMS223M2	H222992B	CMS223M2I	E331112B	2
	3+N	CMS223NM	P200780A	CMS223NMI	W331104A	1



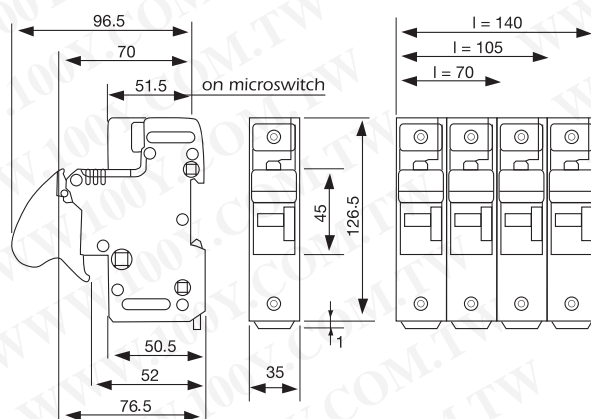
Fuse Holder

Accessories CMS22

Description	Cat.number	Ref. number	Nb.Modules 17,5 mm	Pckg
Single-pole CMS22 auxiliary microswitch kit	CMS22W1	E211581	2	1
3-pole CMS22 auxiliary microswitch kit	CMS22W2	L212093	6	1
3-pole CMS22 2 auxiliary microswitch kit	CMS22W3	B212613	6	1
Auxiliary microswitch assembly pin (between 2 auxiliary microswitch kits)	CMS1422PTH	J214138		10
Enlargement pin for auxiliary microswitches	CMS14BP	F213629		10
Multi-pole assembly kit	CMS1422PAK	Z218223		10
Indicator light kit	CMS14LIH	A225653		1
Lock	CMS14LOK	M223525		1



Drawings for CMS22



勝特力材料 886-3-5753170
 勝特力电子(上海) 86-21-34970699
 勝特力电子(深圳) 86-755-83298787
[Http://www.100y.com.tw](http://www.100y.com.tw)

Fuse Monitoring for DIN Rail mounting



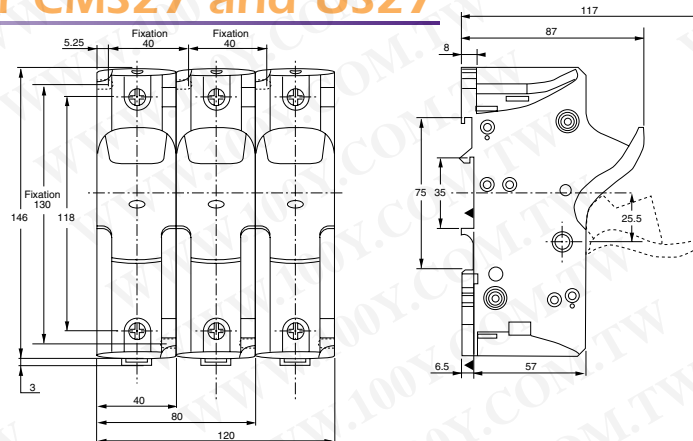
Cat Number	Ref.number	Rated voltage [Vac]	Mounting on	Weight [kg]	Pack [pcs]
FM100/260RD	S236824A	100...260	Rail DIN	0.19	1
FM380/690RD	T236825A	380...690	Rail DIN	0.19	1

Modulostar CMS27



Size	CCD configurations	Cat. number w/o indicator light	Ref.number	Pckg
27 x 60	1	CMS271	R210580C	3
27 x 60	1+N	CMS271N	S210581A	1
27 x 60	N	CMS27N	B210152C	3
27 x 60	2	CMS272	T210582A	1
27 x 60	3	CMS273	V210583A	1

Drawings for CMS27 and US27



For further information on our brand new Modulostar range for ferrule-style fuses, consult our complete technical catalog The Advisor on CD-ROM or on our Web site at

<http://www.ferrazshawmut.com/en/act-e-advisor.php>

under the heading **Gears & Fuse Gears**

> for IEC general purpose fuses

> for ferrule-style fuses

勝特力材料 886-3-5753170
 勝特力电子(上海) 86-21-34970699
 勝特力电子(深圳) 86-755-83298787
[Http://www.100y.com.tw](http://www.100y.com.tw)