

# VSP MOV PROTECTOR SURGE SUPPRESSION FUSES



Ferraz Shawmut surge suppression fuses are specially designed to address the protection of TVSS systems. The surge suppression fuses have been specially designed to withstand 8x20  $\mu$ Sec surge pulses without opening, allowing the TVSS system to react to the surge. All surge suppression fuses have a 8x20  $\mu$ Sec surge rating, not a continuous current rating. Under AC short circuit conditions these surge suppression fuses are very current limiting.

### Features/Benefits

- **VSP fuses** rated 600VAC, 200kA I.R.
- **Surge Ratings** of 5-100kA 8 x 20  $\mu$ Sec Capacity
- **Designed** to help meet UL1449 Second Edition Requirements
- **Various Mounting Configurations**  
Ferrules, Blade, Bolt-In, pc board mount

### Ratings

- 5-100 kA 8x20  $\mu$ Sec Waveform  
600 VAC, 200 kA I.R.

### Approvals

- UL Recognized Component
- File E60314, Vol.3  
Special Purpose  
MOV Protector

### APPLICATION:

- Protection of TVSS Devices
- Coordination with other protection devices



CATALOG NUMBER (connection suffix)	VOLTAGE RATING (AC)	8X20 $\mu$ SEC SURGE RATING	MELTING $I^2t$ (A <sup>2</sup> s)	CLEARING $I^2t$ (A <sup>2</sup> s)	$I_{PEAK}$ @ 100KA, 60 Hz (A)
VSP5-2,-R,-H,-S	600V	5,000	341	936	3,652
VSP10-2,-R,-H,-S	600V	10,000	1,541	3,744	5,794
VSP15-2,-R,-H,-S	600V	15,000	3,072	8,424	7,591
VSP20-2,-R,-H,-S	600V	20,000	4,992	14,400	9,194
VSP30,-2	600V	30,000	12,507	33,696	12,044
VSP40,-2	600V	40,000	19,543	59,904	14,588
VSP50,-2	600V	50,000	32,020	93,600	16,925
VSP60,-2	600V	60,000	42,808	134,784	19,110
VSP70,-2	600V	70,000	61,152	183,456	21,176
VSP80,-2	600V	80,000	79,872	239,616	23,146
VSP90,-2	600V	90,000	99,000	303,264	25,034
VSP100,-2	480V	100,000	121,500	374,400	26,854
VSP100-XL	600V	100,000	121,500	374,400	26,854

### Recommended Fuse Blocks for VSP Fuses VSP(5-20)-2

NUMBER OF POLES	SCREW WITH DOUBLE QUICK CONNECTS	PRESSURE PLATE WITH DOUBLE QUICK CONNECTS	COPPER BOX CONNECTOR
ADDER	30310	30320	30350
1	30311	30321	30351
2	30312	30322	30352
3	30313	30323	30353

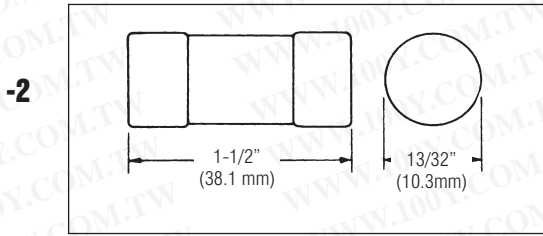
### VSP(30-100)-2

NUMBER OF POLES	BOX	SCREW	PRESSURE PLATE
ADDER	60305J	60315J	60325J
1	60306J	60316J	60326J
2	60307J	60317J	60327J
3	60308J	60318J	60328J

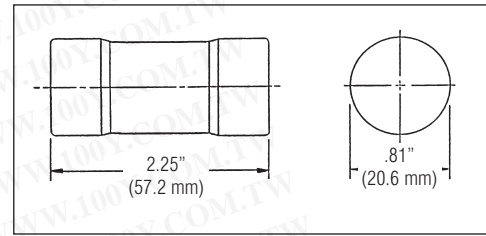
# VSP MOV PROTECTOR

# SURGE SUPPRESSION FUSES

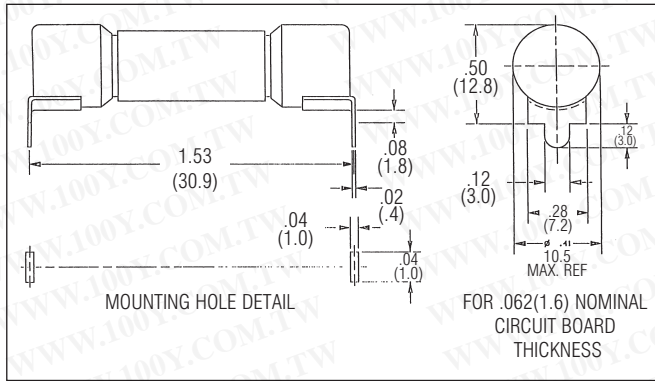
**VSP (5-20)-2,R,H,S**



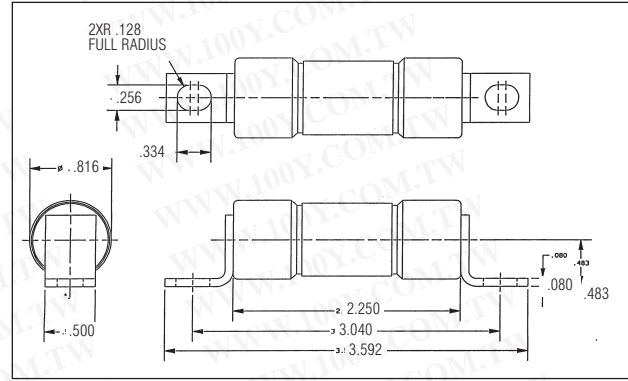
**VSP (30-100)-2**



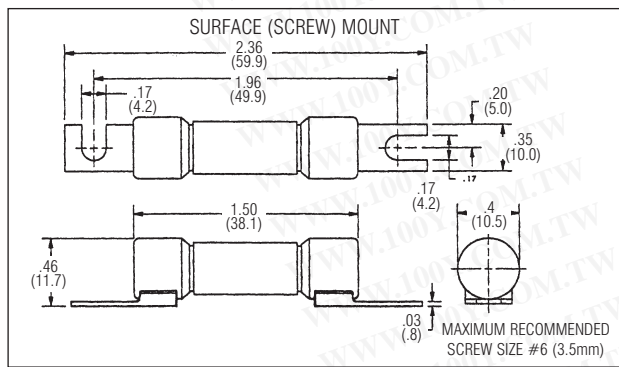
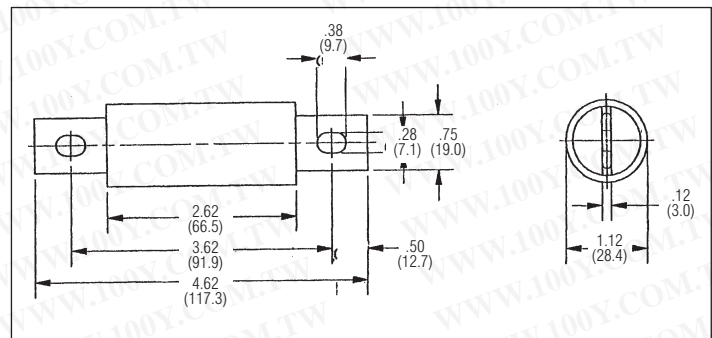
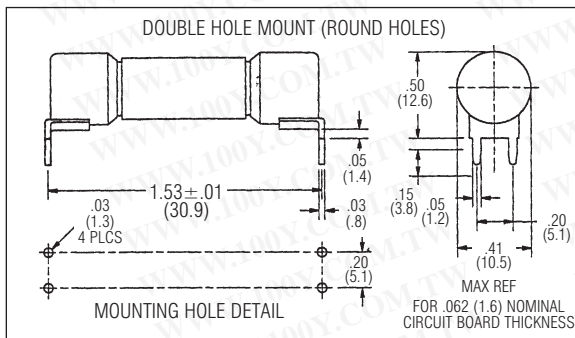
**PC BOARD MOUNTING**



**VSP30-100**

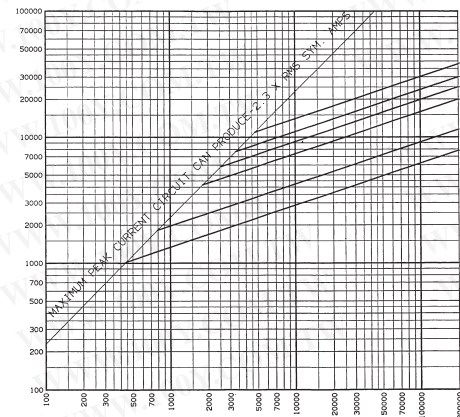


**VSP100-XL**



**Peak Let-Through Current Data**

Maximum Instantaneous Peak Let-Through Amperes



Available Current in RMS Symmetrical Amperes

勝特力材料 886-3-5753170  
 勝特力电子(上海) 86-21-54151736  
 勝特力电子(深圳) 86-755-83298787  
[Http://www.100y.com.tw](http://www.100y.com.tw)