

DIN BS88 FUSES



6,9 gRB-URB

SEMICONDUCTOR PROTECTION FUSES



690V
gRB-URB FROM 12 TO 100A
SIZE: 17 x 49

Features/Benefits

- **Extremely high Interrupting rating Fuses:**
Protection of power Semiconductors as per IEC standard 269.4
- **690V Voltage Rating** as per IEC 33
- **gR Class** [Current rating 12 to 90A] as per VDE 636-23
 - Full range protection
 - Improved safety and protection
 - Allows selective coordination
- **aR Class** [Current Rating 100A] According to VDE 636-23 and IEC 269.4
- **Connections as per:**
 - German standard DIN 43653/00C
 - British standard BS 88-4
- **These fuses are UL Recognized**



APPLICATIONS DATA

VOLTAGE RATING U_n (V)	CLASS	CURRENT RATING I_n (A)	MELTING I^2t @ 1 ms (A ² s)	TOTAL CLEARING I^2t @ RATED VOLTAGE (A ² s)	WATT LOSSES		TESTED INTERRUPTING RATING	ESTIMATED INTERRUPTING RATING
					0.8 I_n	I_n		
690	gRB	12	4.2	30	1.95	3.5	200 kA @ 690 V	300 kA @ 690 V
		16	9.6	65	2.2	4.0		
		20	17.1	110	3.0	5.5		
		25	26.8	170	4.4	8.0		
		32	52.5	330	5.0	9.0		
		35	69	430	5.2	9.5		
		40	96	610	5.8	10.5		
		45	130	820	6.3	11.5		
		50	154	970	7.2	13		
		55	210	1320	7.4	13.5		
		63	310	1950	8.0	14.5		
		75	520	3250	8.8	16		
		80	620	3900	9.4	17		
		90	840	5300	11	20		
690	URB	100	965	6150	13	23.5	200 kA @ 690 V	300 kA @ 690 V

Minimum operating voltage for separate trip-indicator: 20 V

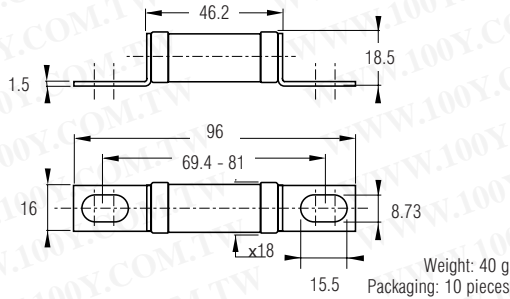
勝特力材料 886-3-5753170
 勝特力电子(上海) 86-21-34970699
 勝特力电子(深圳) 86-755-83298787
[Http://www.100y.com.tw](http://www.100y.com.tw)

DIN/BS88 FUSES

6,9 gRB-URB

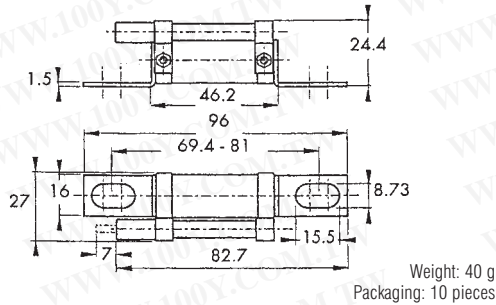
SEMICONDUCTOR PROTECTION FUSES

German Standard without blown fuse indication



CURRENT RATING	CATALOG NO.	REF #
12	6,9 gRB 17 D08/12	M220972
16	6,9 gRB 17 D08/16	N220973
20	6,9 gRB 17 D08/20	P220974
25	6,9 gRB 17 D08/25	Q220975
32	6,9 gRB 17 D08/32	R220976
35	6,9 gRB 17 D08/35	S220977
40	6,9 gRB 17 D08/40	T220978
45	6,9 gRB 17 D08/45	V220979
50	6,9 gRB 17 D08/50	W220980
55	6,9 gRB 17 D08/55	X220981
63	6,9 gRB 17 D08/63	Y220982
75	6,9 gRB 17 D08/75	Z220983
80	6,9 gRB 17 D08/80	A220984
90	6,9 gRB 17 D08/90	B220985
100	6,9 URB 17 D08/100	C220986

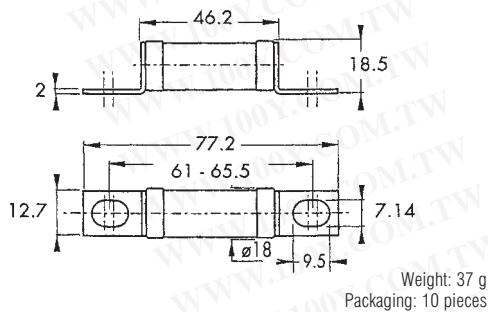
German Standard with separate blown fuse trip-indicator DIN 43623/00C



CURRENT RATING	CATALOG NO.	REF #
12	6,9 gRB 17 D08P 12	X221004
16	6,9 gRB 17 D08P 16	Y221005
20	6,9 gRB 17 D08P 20	Z221006
25	6,9 gRB 17 D08P 25	A221007
32	6,9 gRB 17 D08P 32	B221008
35	6,9 gRB 17 D08 P 35	C221009
40	6,9 gRB 17 D08P 40	D221010
45	6,9 gRB 17 D08P 45	E221011
50	6,9 gRB 17 D08P 50	F221012
55	6,9 gRB 17 D08P 55	G221013
63	6,9 gRB 17 D08P 63	H221014
75	6,9 gRB 17 D08P 75	J221015
80	6,9 gRB 17 D08P 80	K221016
90	6,9 gRB 17 D08P 90	L221017
100	6,9 URB 17 D08P 100	M221018

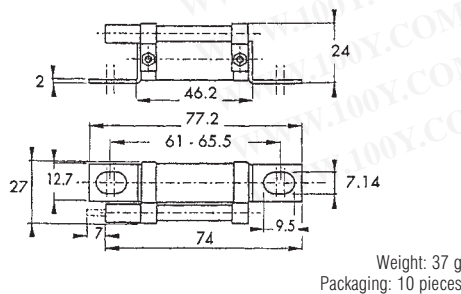


British Standard without blown fuse indication



CURRENT RATING	CATALOG NO.	REF #
12	6,9 gRB 17/12	W220957
16	6,9 gRB 17/16	X220958
20	6,9 gRB 17/20	Y220959
25	6,9 gRB 17/25	Z220960
32	6,9 gRB 17/32	A220961
35	6,9 gRB 17/35	B220962
40	6,9 gRB 17/40	C220963
45	6,9 gRB 17/45	D220964
50	6,9 gRB 17/50	E220965
55	6,9 gRB 17/55	F220966
63	6,9 gRB 17/63	G220967
75	6,9 gRB 17/75	H220968
80	6,9 gRB 17/80	J220969
90	6,9 gRB 17/90	K220970
100	6,9 URB 17/100	L220971

British Standard with separate blown fuse trip-indicator BS 88-4



CURRENT RATING	CATALOG NO.	REF #
12	6,9 gRB 17P12	D220987
16	6,9 gRB 17P16	E220988
20	6,9 gRB 17P20	F220989
25	6,9 gRB 17P25	G220990
32	6,9 gRB 17P32	H220991
35	6,9 gRB 17P35	J220992
40	6,9 gRB 17P40	K220993
45	6,9 gRB 17P45	L220994
50	6,9 gRB 17P50	M220995
55	6,9 gRB 17P55	N220996
63	6,9 gRB 17P63	P220997
75	6,9 gRB 17P75	Q220998
80	6,9 gRB 17P80	R220999
90	6,9 gRB 17P90	S221000
100	6,9 URB 17P100	T221001

DIN 000 FUSES



6,9 gRB-URB

SEMICONDUCTOR PROTECTION FUSES



GERMAN STANDARD
500 - 690 V AC
gRB-URB FROM 20 TO 400A
SIZE: 000

Features/Benefits

- **Extremely high Interrupting rating Fuses:**
Protection of power Semiconductors according to 269.1 and 4
- **500-690V Voltage Rating** [Rating 20 to 400A]
- **gR Class** [gRB Ratings 20 to 125A] according to VDE 636-23
 - Full range protection
 - Improved safety and protection
 - Allows selective coordination
- **aR Class** [Current Rating 100A] According to VDE 636-23 and IEC 269.4
- **3 Models complying with DIN 43653-00C are:**
 - With or without blown fuse indication
 - With trip indicator
- **Model complying with DIN 43620 (00C)**
 - Standard with or without blown fuse indication
 - With trip indicator



APPLICATIONS DATA

VOLTAGE RATING U_n (V)	CLASS	CURRENT RATING I_n (A)	MELTING I^2t @ 1 ms (A ² s)	TOTAL CLEARING I^2t @ 660 VAC (A ² s)	WATT LOSSES		TESTED INTERRUPTING RATING	ESTIMATED INTERRUPTING RATING
					0.8 I_n	I_n		
690	gRB	20	12	80	3.8	7	200 kA @ 660 V	300 kA @ 660 V
		25	20	150	5.0	9		
		32	39	270	5.5	10		
		40	70	460	6.6	12		
		50	102	730	7.7	14		
		63	210	1500	8.8	16		
		80	475	2900	9.9	18		
		100	970	6000	11	20		
		125	1900	11800	11.6	21		
690	URB	80	390	2500	11.6	21	200 kA @ 660 V	300 kA @ 660 V
		100	690	4200	12.7	23		
		125	1300	8900	14.3	26		
		160	2700	16000	17.0	31		
		200	5250	31500	19.8	36		
		250	9900	52000	24.8	45		
660 500	URB	315	15500	82000	31.9	58	120 kA @ 500 V	
		350	22400	110000	31.9	58		
		400	33200	160000	36.3	66		

Minimum operating voltage for blown fuse indicator: 20 V

勝特力材料 886-3-5753170
 勝特力电子(上海) 86-21-34970699
 勝特力电子(深圳) 86-755-83298787
[Http://www.100y.com.tw](http://www.100y.com.tw)

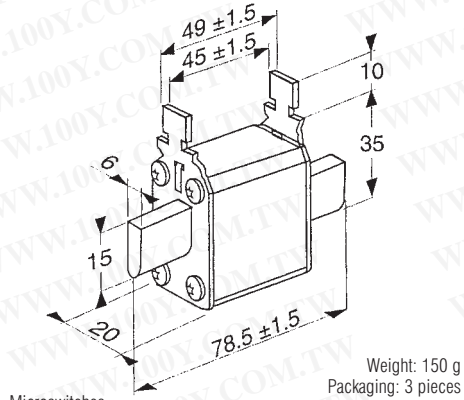
DIN 000 FUSES



6,9 gRB-URB

SEMICONDUCTOR PROTECTION FUSES

German Standard blade-type DIN 43620**



Microswitches
MS 4L 2-5 B6 + PRES Ref. F210156
MS 4L 2-5 B2 + PRES Ref. G210157

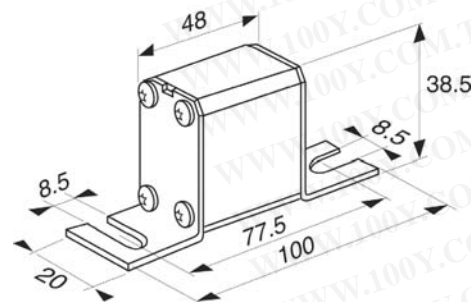
* Fuse Base: 41002-G

SIZE	CATALOG NO.**	REF #	I _N *
16	6,9 GRB 000 PV 016	Y210609	1
20	6,9 GRB 000 PV 020	Z210610	1
25	6,9 GRB 000 PV 025	A210611	1
32	6,9 GRB 000 PV 032	B210612	1
40	6,9 GRB 000 PV 040	C210613	1
50	6,9 GRB 000 PV 050	D210614	1
63	6,9 GRB 000 PV 063	E210615	1
80	6,9 GRB 000 PV 080	F210616	1
100	6,9 GRB 000 PV 100	G210617	1
125	6,9 GRB 000 PV 125	H210618	1
80	6,9 URD 000 PV 0080	Q320059	1
100	6,9 URD 000 PV 0100	V320063	1
125	6,9 URD 000 PV 0125	X320065	0,95
160	6,9 URD 000 PV 0160	B320069	0,85
200	6,9 URD 000 PV 0200	D320071	0,85
250	6,9 URD 000 PV 0250	H320075	0,8
315	6,9 URD 000 PV 0315	M320079	0,7
350	5 URB 000 PV 350	R210626	0,7
400	5 URB 000 PV 400	S210627	0,65

** These Fuses are not UL recognized



German Standard without blown fuse indicator



* Fuse Base: SI 000 DIN 80
Ref. Number: C 220710

c us

SIZE	CATALOG NO.	REF #	I _N *
20	6,9 GRB 000 D08 / 020	D330030	1
25	6,9 GRB 000 D08 / 025	E330031	1
32	6,9 GRB 000 D08 / 032	F330032	1
40	6,9 GRB 000 D08 / 040	G330033	1
50	6,9 GRB 000 D08 / 050	H330034	1
63	6,9 GRB 000 D08 / 063	J330035	1
80	6,9 GRB 000 D08 / 080	A330073	1
100	6,9 GRB 000 D08 / 100	S330112	1
125	6,9 GRB 000 D08 / 125	T330113	0,9
80	6,9 URB 000 D08 / 080	K330036	1
100	6,9 URB 000 D08 / 100	L330037	1
125	6,9 URB 000 D08 / 120	M330038	0,9
160	6,9 URB 000 D08 / 160	N330039	0,85
200	6,9 URB 000 D08 / 200	P330040	0,85
250	6,9 URB 000 D08 / 250	Q330041	0,8
315	6,9 URB 000 D08 / 315	R330042	0,7
350	5 URB 000 D08 / 350	V330114	0,7
400	5 URB 000 D08 / 400	D330191	0,65

勝特力材料 886-3-5753170
 勝特力电子(上海) 86-21-34970699
 勝特力电子(深圳) 86-755-83298787
[Http://www.100y.com.tw](http://www.100y.com.tw)

DIN 000 FUSES

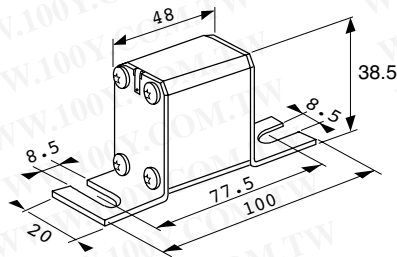
6,9 gRB-URB



SEMICONDUCTOR PROTECTION FUSES

cRUUS

German Standard with blown fuse indication

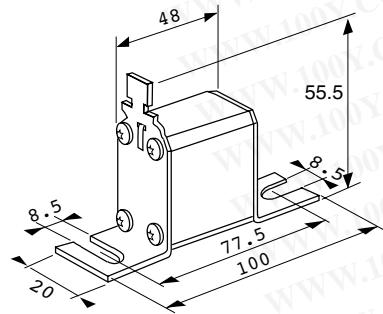


CURRENT RATING	CATALOG NO.	REF #	I/N FUSE BASE*
20	6,9 gRB 000 D08V/020	P330017	1
25	6,9 gRB 000 D08V/025	Q330018	1
32	6,9 gRB 000 D08V/032	R330019	1
40	6,9 gRB 000 D08V/040	S330020	1
50	6,9 gRB 000 D08V/050	T330021	1
63	6,9 gRB 000 D08V/063	V330022	1
80	6,9 gRB 000 D08V/080	G330102	1
100	6,9 gRB 000 D08V/100	Q330110	1
125	6,9 gRB 000 D08V/125	R330111	0,9
80	6,9 URB 000 D08V/080	W330023	1
100	6,9 URB 000 D08V/100	X330024	1
125	6,9 URB 000 D08V/125	Y330025	0,95
160	6,9 URB 000 D08V/160	Z330026	0,85
200	6,9 URB 000 D08V/200	A330027	0,85
250	6,9 URB 000 D08V/250	B330028	0,8
315	6,9 URB 000 D08V/315	C330029	0,7
350	5 URB 000 D08V/350	W330115	0,7
400	5 URB 000 D08V/400	E330192	0,65

* Fuse Base: SI 000 DIN 80
Ref. Number: C 220710

cRUUS

German Standard with separate blown fuse trip-indicator



CURRENT RATING	CATALOG NO.	REF #	I/N FUSE BASE*
20	6,9 gRB 000 D08L/020	J330173	1
25	6,9 gRB 000 D08L/025	K330174	1
32	6,9 gRB 000 D08L/032	L330175	1
40	6,9 gRB 000 D08L/040	M330176	1
50	6,9 gRB 000 D08L/050	N330177	1
63	6,9 gRB 000 D08L/063	P330178	1
80	6,9 gRB 000 D08L/080	Q330179	1
100	6,9 gRB 000 D08L/100	R330180	1
125	6,9 gRB 000 D08L/125	S330181	0,9
80	6,9 URB 000 D08L/080	T330182	1
100	6,9 URB 000 D08L/100	V330183	1
125	6,9 URB 000 D08L/125	W330184	0,9
160	6,9 URB 000 D08L/160	X330185	0,85
200	6,9 URB 000 D08L/200	Y330186	0,85
250	6,9 URB 000 D08L/250	Z330187	0,8
315	6,9 URB 000 D08L/315	A330188	0,7
350	5 URB 000 D08L/350	B330189	0,7
400	5 URB 000 D08L/400	F330193	0,65

Microswitch
MC 4L 2-5 B6 + PRES Ref. Number: F210156
MC 4L 2-5 B2 + PRES Ref. Number: G210157
* Fuse Base: SI 000 DIN 80 Ref. Number: C220710

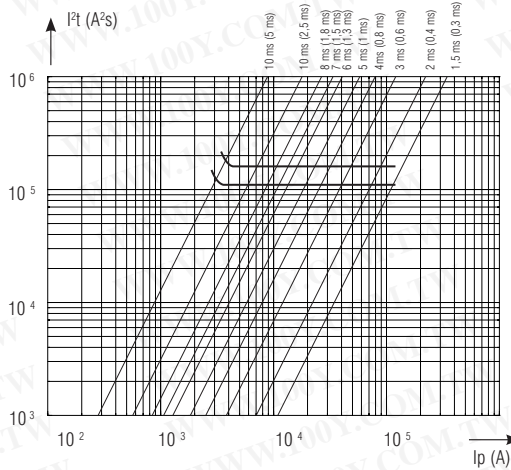
勝特力材料 886-3-5753170
勝特力电子(上海) 86-21-34970699
勝特力电子(深圳) 86-755-83298787
[Http://www.100y.com.tw](http://www.100y.com.tw)

DIN 000 FUSES



6,9 gRB-URB/5URB SEMICONDUCTOR PROTECTION FUSES

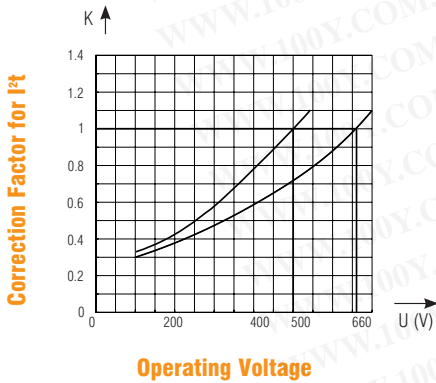
Total Clearing I²t



Above: Horizontal curves show, for each rated current, values of total clearing I²t as a function of prospective current I_p. @ UN with cosφ = 0.15. Horizontal lines indicate total clearing duration I_t, with associated pre-arcing duration in brackets.

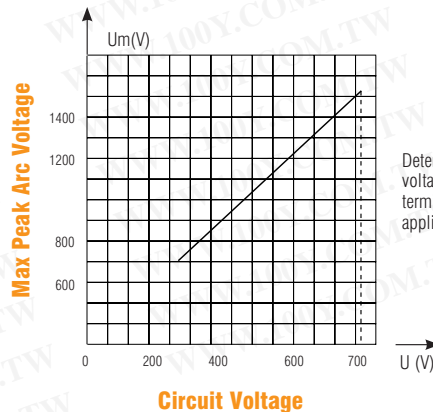


Clearing I²t vs. AC Operating Voltage



Correction factor to determine I²t value for a fuse operating below its rated voltage.

Maximum Arc voltage vs. System Voltage



Determines the peak arc voltage across the fuse terminals as a function of applied voltage

勝特力材料 886-3-5753170
勝特力电子(上海) 86-21-34970699
勝特力电子(深圳) 86-755-83298787
[Http://www.100y.com.tw](http://www.100y.com.tw)

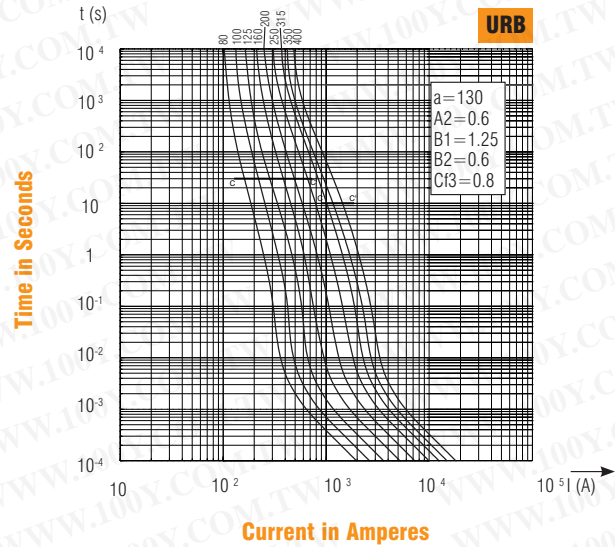
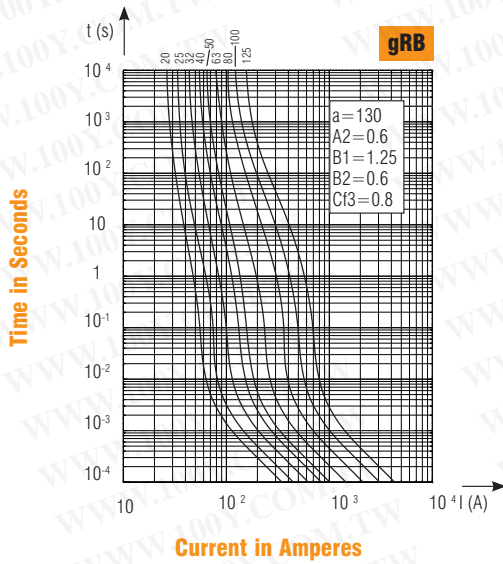
DIN 000 FUSES



6,9 gRB-URB

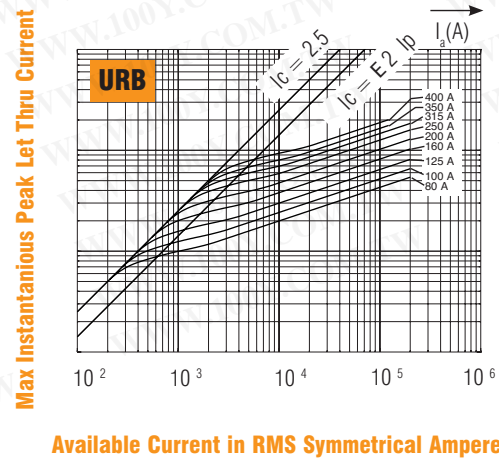
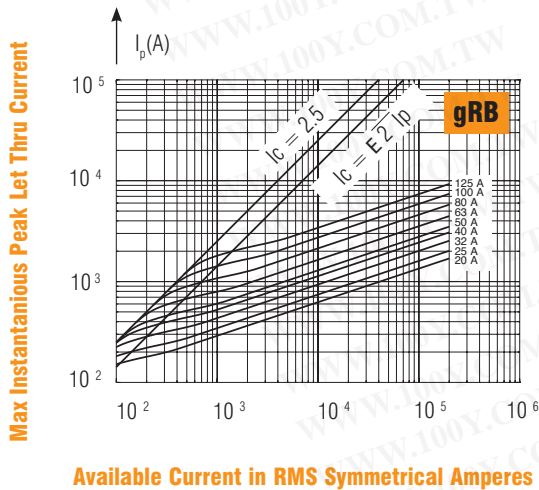
SEMICONDUCTOR PROTECTION FUSES

Melting Time - Current data



Curves show, for each rated current, pre-arcing (melt) time vs. R.M.S. pre-arcing current.

Peak Let Thru Data



Curves show, for each rating, value of peak-let-through current I_c as a function of available fault current I_p .

勝特力材料 886-3-5753170
 勝特力电子(上海) 86-21-34970699
 勝特力电子(深圳) 86-755-83298787
[Http://www.100y.com.tw](http://www.100y.com.tw)

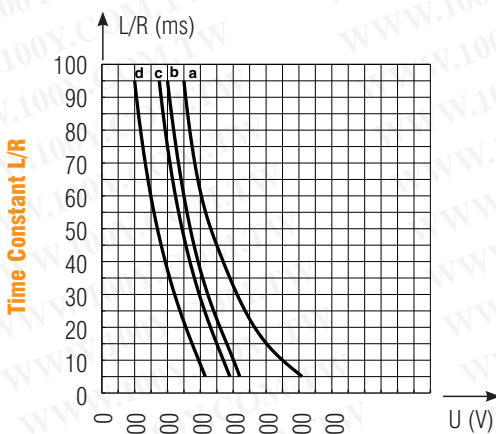
DIN 000 FUSES



6,9 gRB-URB

SEMICONDUCTOR PROTECTION FUSES

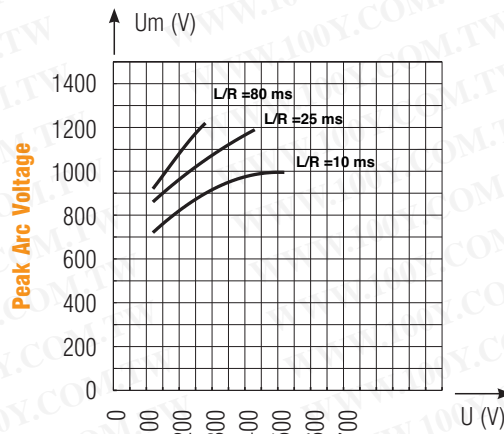
DC Voltage Capability vs. Time Constant



DC Voltage Capabilities

Provides the DC voltage capability of a fuse as a function of circuit time constant (L/R ratio).
 Curve a: Ratings from 20 to 160 A
 Curve b: Ratings 200 A
 Curve c: Ratings from 250 to 315 A
 Curve d: Ratings from 350 to 400 A

DC Peak Arc Voltage

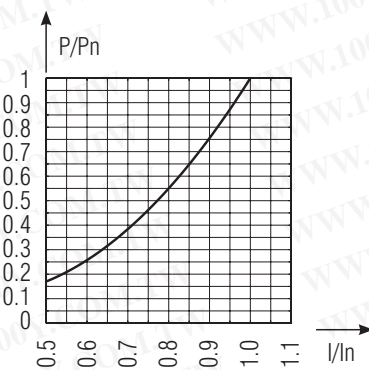


System Voltage

Above: Curve indicates peak arc voltage U_m which may appear across fuse terminals at DC working voltage U .



Watts Loss Correction Factor



Above: Correction factor to determine watts loss value for a fuse operating below its rated current.

勝特力材料 886-3-5753170
 勝特力电子(上海) 86-21-34970699
 勝特力电子(深圳) 86-755-83298787
[Http://www.100y.com.tw](http://www.100y.com.tw)