

# 703,U705,U710

## Semiconductor Fuse Holders

### 750V Semiconductor Fuse Holders

Mersen semiconductor fuse holders feature open face styles. Each version is rated 750 volts and accommodates 14 x 51 mm or 22 x 58 mm fuses. 703, U705 and U710 holders feature Mersen's unique adder-block design which can be snapped onto 1-, 2-, or 3-pole blocks to form multi-pole segmented blocks of as many poles as desired. A choice of box, screw or pressure plate connectors is offered to fit a wide range of standard or solid copper wire. All versions have verified dielectric strengths in excess of 2500V. A patented built-in DIN-rail adapter on the U710 blocks adds further design versatility. All fuse clips are made of high conductivity tin-plated copper with spring reinforced clips.

#### Highlights:

- Thermoplastic bases
- DIN-rail (U710) or Screw Mount
- Adder block design

#### Applications:

- All circuits up to 750 volts using semiconductor fuses for protection of small inverters, UPS systems, motor drives, etc.

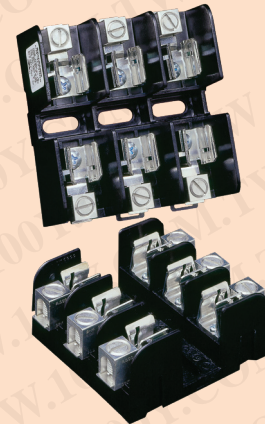
#### Recommended Fuse Usage:

703 use with 14x51mm A70QS, A70P, URD

U705 use with 14x51mm A70QS, A70P, URD

U710 use with 22x58mm A70QS, URD, up to 100A

勝特力材料 886-3-5753170  
勝特力电子(上海) 86-21-54151736  
勝特力电子(深圳) 86-755-83298787  
[Http://www.100y.com.tw](http://www.100y.com.tw)



#### Ratings:

<b>Volts</b>	: 750V
<b>Amps</b>	: 30A (703)
	: 50A (U7050)
	: 100A (U7100)
<b>SCCR</b>	: 200kA dependent on fuse I.R.

#### Approvals:

- UL Recognized component guide IZLT2, File E52283
- CSA Certified class 6225, File 32169



# 703,U705,U710 Semiconductor Fuse Holders

## 750 Volt Fuse Holders for 14 x 51mm & 22 x 58 mm Fuses

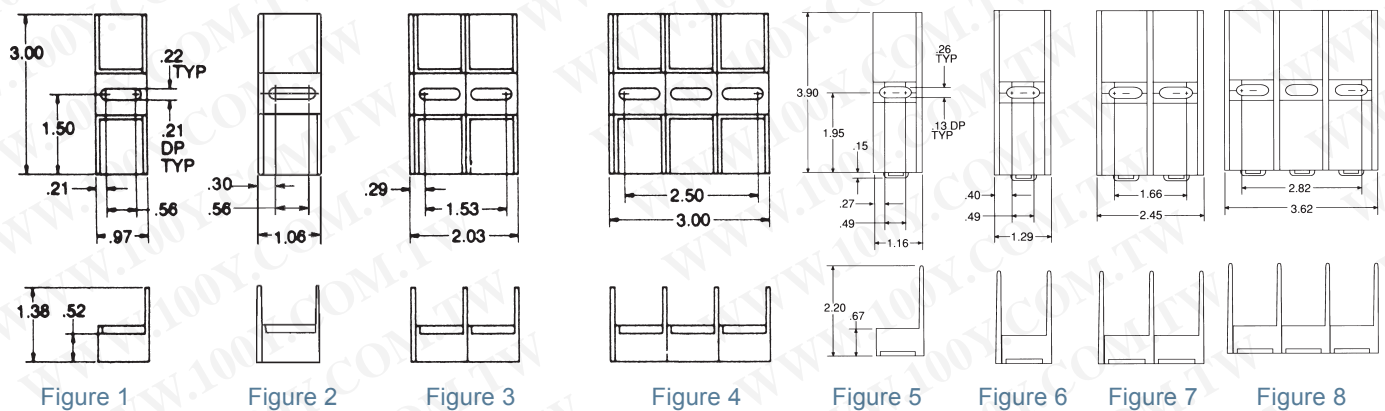
Catalog No.	Fuse Size	Ampacity Rating	Poles	Connector		Figure	Connector Torque (In-Lb)
				Type	Wire Range		
U70505	14 x 51	50	Adder	Box	Al/Cu #2-14	1	35
U70506			1			2	
U70507			2			3	
U70508			3			4	
70315	14 x 51	30	Adder	Screw	Cu #10-14	1	20
70316			1			2	
70317			2			3	
70318			3			4	
70325	14 x 51	30	Adder	Pressure Plate	Cu #10-14	1	20
70326			1			2	
70327			2			3	
70328			3			4	
70355	14 x 51	30	Adder	Box	Cu* #4-14	1	35
70356			1			2	
70357			2			3	
70358			3			4	
U71005	22 x 58	100	Adder	Box	Al/Cu #2-14	5	35
U71006			1			6	
U71007			2			7	
U71008			3			8	

\*Copper box connectors and clips-for copper wires only.

Note: To convert 30A adder pole to single pole, use end barrier #U09322 100A adder pole to single pole, use end barrier #U09372.

Recommended mounting screws; #10 (.190"dia)

### Dimensions



勝特力材料 886-3-5753170  
 勝特力电子(上海) 86-21-54151736  
 勝特力电子(深圳) 86-755-83298787  
[Http://www.100y.com.tw](http://www.100y.com.tw)