

## NH Fuse Holders for Knife Fuses

勝特力材料 886-3-5753170  
 勝特力电子(上海) 86-21-34970699  
 勝特力电子(深圳) 86-755-83298787  
[Http://www.100y.com.tw](http://www.100y.com.tw)

### SB-D, SB-S, SB-DMS 690V / 160 - 1600A

Sizes 00, 0, 1, 2, 3, 4



#### Specifications

**Description:** Knife fuses, NH, thermoplastic bodies for knife fuses. Securing to DIN rail and by screws (size 4 screw fixation only). Range of protection accessories for live parts in order to obtain IP20 protection standard. Available with micro- switch contact for use with fuses with striker (see page 30).

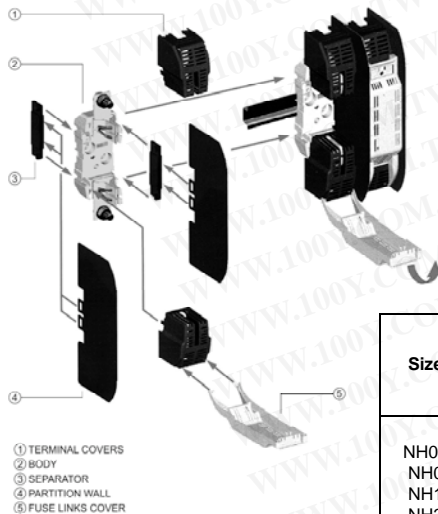
#### Ratings:

- Volts: - up to 690V ac
- Amps: - 2 - 1600A

**Applications:** Protection of industrial circuits and electrical apparatus

**Standards and Approvals:** IEC 60269, VDE 0636, DIN 43620

#### Dimensions



#### Catalogue Numbers

Size	Poles	Current (A)	Part References		With micro-switch contact	UP*
			Screw connection	DIN Rail connection		
00	1 3	160A	SB00-S	SB00-D		3
			TB00-S	TB00-D		
				TB00-D-IP20		
0	1 3	160A	SB0-S	SB0-D	SB0-DMS	3
			TB0-S	TB0-D		
1	1 3	250A	SB1-S	SB1-D	SB1-DMS	3
			TB1-S	TB1-D		
2	1 3	400A	SB2-S	SB2-D	SB2-DMS	3
			TB2-S	TB2-D		
3	1 3	630A	SB3-S	SB3-D	SB3-DMS	3
			TB3-S	TB3-D		
4	1	1600A	SB4-S		SB4-DMS	3

#### Neutral

Size	Current (A)	Part Ref	Unit Packing
NH00	160	SL00	3
NH0	160	SL0	
NH1	250	SL1	
NH2	400	SL2	
NH3	630	SL3	
NH4	1000	SL4	

#### Fuse extraction handle

Size	Part Ref	Unit Packing
C00-3	FEH	1

#### Protection accessories

Size	Current (A)	Separation Partition ④		Fuse Cover ⑤		Terminal Cover ①		Separator ③	
		Part Ref	Unit Packing	Part Ref	Unit Packing	Part Ref	Unit Packing	Part Ref	Unit Packing
NH00	160A	SP00	2	FC00	3	CS00	6	BC00	2
NH0	160A	SP0	2	FC0	3	CS0	6	BC0	2
NH1	250A	SP1-2	2	FC1	3	CS1	6	BC1-2	2
NH2	400A	SP1-2	2	FC2	3	CS2	6	BC1-2	2
NH3	630A	SP3	2	FC3	3	CS3	6	BC3	2
NH4	1250A	SP4	2						

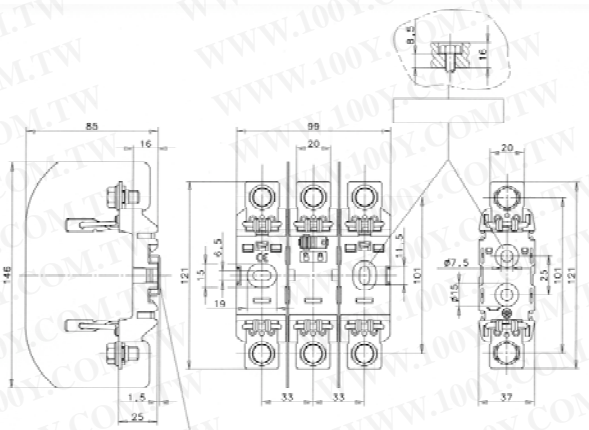
#### IP Protection Kits

TB00-D-IP20	Complete triple pole fuse base IP20 rated
FPK0-3P	IP20 kit for TB0-D fuse base
FPK1-3P	IP20 kit for TB1-D fuse base
FPK2-3P	IP20 kit for TB2-D fuse base
FPK3-3P	IP20 kit for TB3-D fuse base

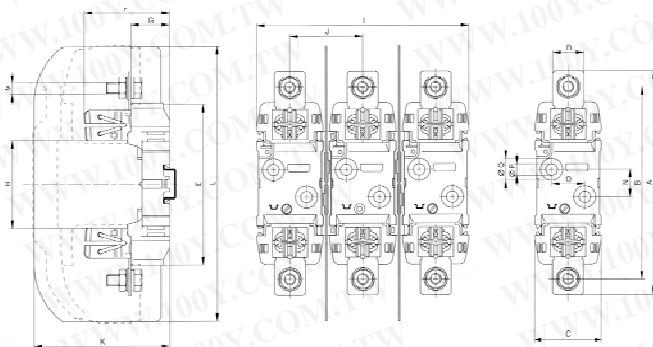
**Dimensions for Knife Fuse and Fuseholders (NH)**

**Knife Fuseholders (NH)**

**Bases for fuseholders size 00**

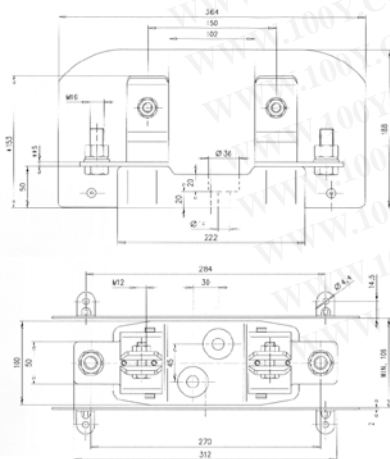


**Bases for fuseholders size 0, 1, 2, 3, 4**



Size	A	B	C	D	E	F	G	H	I	J	K	L	M	N	O	P	Q
NH0	170	150	47	24	122	63	63	29	74	48.5	91.5	185	MB	25	-	7.5	15
NH1	200	175	60	28	148	77.5	35	80	192	66	123	250	M10	25	30	10.5	20.5
NH2	225	200	60	32	148	88	35	80	192	66	123	250	M12	25	30	10.5	20.5
NH3	240	210	60	38	148	97	35	80	224	82	143	270	M12	25	30	10.5	20.5

**Bases for fuse holders size 4**



勝特力材料 886-3-5753170  
 勝特力电子(上海) 86-21-34970699  
 勝特力电子(深圳) 86-755-83298787  
[Http://www.100y.com.tw](http://www.100y.com.tw)