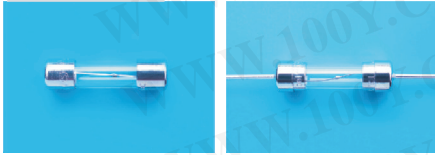


# Type 5ST / 5STP

5 x 20mm Glass Tube  
RoHS 6 Compliant

## Time-lag Fuse Series (Low Breaking Capacity)

5STD0808



### Electrical Characteristics (IEC-127-2 STANDARD SHEET 3)

Rated Current	1.5 In		2.1 In		2.75 In		4 In		10 In	
	MIN	MAX	MIN	MAX	MIN	MAX	MIN	MAX	MIN	MAX
63mA to 100mA	1	2	200	10	40	3	10	300		
125mA to 12.5A	1	2	600	10	150	3	20	300		
	hr.	min.	ms	sec	ms	sec	ms	ms		

### Approvals

Safety Agency Approvals	Amp range / Volt @ I.R. ability
Certificate No. 0045061 License No. 40000507 Certificate No. EM231	63mA - 6.3A / 250V AC@ 35A or 10 In whichever is greater
Recognized File No. E20624 Acceptance File No. LR39772	
Licence No. 2003010207030316 No Safety Approvals	12.5A / 250V AC@ 125A

### RoHS 6 Compliant Product

#### Operating Temperature

-55°C to +125°C

#### Physical Specification

##### Materials

Glass body / Nickel Plated Brass Caps  
Lead wire:  
Matte Tin Plated Copper Alloy,  
Diameter 0.032", 6.3A and less  
Diameter 0.040", 8A and above

##### Marking

On fuse:  
"bel", "T", "Current Rating", "L", "250V",  
"Appropriate Safety Logos", "✓" (RoHS 6 compliant)  
On label:  
"bel", "5ST" or "5STP", "Current Rating", "Voltage Rating",  
"Interrupting Rating", "Appropriate Safety Logos" and "M", "e" (China RoHS compliant)

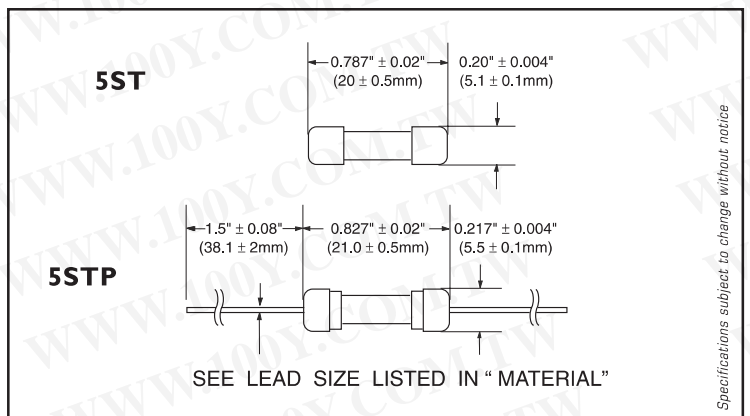
##### Packaging

1. In bulk:  
5ST - 1,000 pcs per box; 5STP - 500 pcs per box  
2. On Axial Tape & Reel:  
1,500 pcs per reel  
3. Tape & Reel specification:  
per EIA-296-E & IEC 286-1  
@ 10mm Pitch and 63.5mm inside Tape Spacing

Catalog Number	Ampere Rating	Typical Cold Resistance (ohm)	Volt-drop @100% In (Volt) max.	Melting I <sup>2</sup> T < 10 mSec (A <sup>2</sup> Sec)	Melting I <sup>2</sup> T @10 In (A <sup>2</sup> Sec)	Maximum Power Dissipation (W)
5ST (P) 63-R	63mA	23.9	2.77	0.008	0.021	0.28
5ST (P) 80-R	80mA	15.7	2.24	0.015	0.036	0.29
5ST (P) 100-R	100mA	10.3	1.82	0.03	0.06	0.30
5ST (P) 125-R	125mA	6.8	1.47	0.05	0.11	0.30
5ST (P) 160-R	160mA	4.4	1.19	0.08	0.19	0.31
5ST (P) 200-R	200mA	2.9	0.97	0.15	0.33	0.32
5ST (P) 250-R	250mA	1.9	0.78	0.26	0.58	0.32
5ST (P) 315-R	315mA	1.3	0.63	0.46	1.01	0.33
5ST (P) 400-R	400mA	0.82	0.51	0.81	1.76	0.34
5ST (P) 500-R	500mA	0.54	0.42	1.4	3.1	0.34
5ST (P) 630-R	630mA	0.22	0.17	0.9	1.5	0.18
5ST (P) 800-R	800mA	0.15	0.15	1.6	2.5	0.20
5ST (P) 1-R	1A	0.095	0.13	2.4	3.3	0.17
5ST (P) 1.25-R	1.25A	0.06	0.09	4.1	5.5	0.19
5ST (P) 1.6-R	1.6A	0.04	0.09	6.9	8.9	0.23
5ST (P) 2-R	2A	0.03	0.08	12	15	0.26
5ST (P) 2.5-R	2.5A	0.02	0.07	20	24	0.31
5ST (P) 3.15-R	3.15A	0.018	0.07	33	39	0.36
5ST (P) 4-R	4A	0.014	0.06	56	64	0.42
5ST (P) 5-R	5A	0.011	0.06	95	105	0.49
5ST (P) 6.3-R	6.3A	0.008	0.06	160	173	0.57
5ST (P) 8-R	8A	0.006	0.06	260	282	0.8
5ST (P) 10-R	10A	0.005	0.06	439	461	1.0
5ST (P) 12.5-R	12.5A	0.004	0.06	490	679	1.7

Consult manufacturer for other ratings

### Mechanical Dimensions



SEE LEAD SIZE LISTED IN "MATERIAL"

Specifications subject to change without notice

ORDERING INFORMATION SEE LAST 2 PAGES

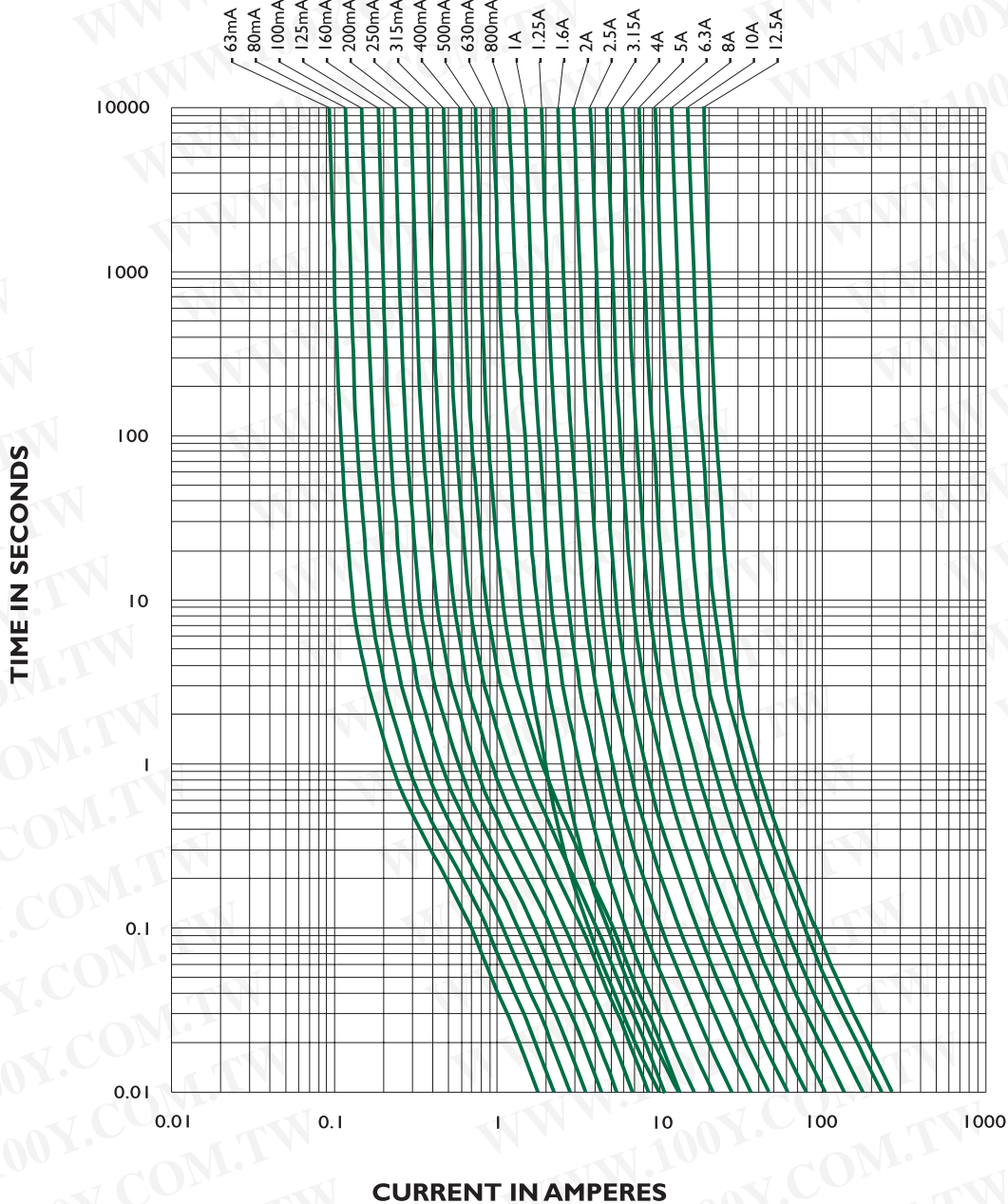


**Type 5ST / 5STP**  
**Time-lag Fuse Series (Low Breaking Capacity)**

5 x 20mm Glass Tube  
 RoHS 6 Compliant

5STC0808

**5ST / 5STP - TIME CURRENT CHARACTERISTIC CURVE**



Specifications subject to change without notice

NOTE - see important information under "User Guide" on P.08

**Corporate Office**

**Bel Fuse Inc.**  
 206 Van Vorst Street, Jersey City, NJ 07302  
 Tel: 201-432-0463  
 Fax: 201-432-9542  
 E-Mail: belfuse@belfuse.com  
 Website: www.belfuse.com

**Far East Office**

**Bel Fuse Ltd.**  
 8F/8 Luk Hop Street  
 San Po Kong  
 Kowloon, Hong Kong  
 Tel: 852-2328-5515  
 Fax: 852-2352-3706

**European Office**

**Bel Fuse Europe Ltd.**  
 Preston Technology Management Centre  
 Marsh Lane, Preston PR1 8UG  
 Lancashire, U.K  
 Tel: 44-1772-556601  
 Fax: 44-1772-888366