

Square Body Fuses

DIN 43 620 - Dual Indicator Fuses 690V (IEC) / 10 – 1600A

Specifications

Description: Square Body DIN 43 620 blade style high speed fuses with dual indicator system: one indicator in the fuse body and other in the metallic end plate. Interchangeable with existing high speed DIN 43620 fuses for protection of UPS, soft starters, solid state relays, variable speed drives, rectifiers and inverters.

Ratings:

Volts: — 690Vac

Amps: — 10-1600A

IR: — 200kA RMS Sym.

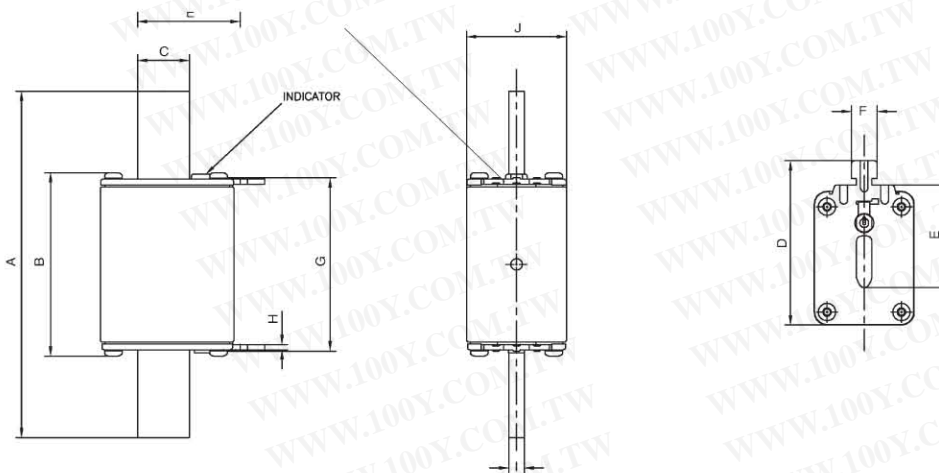
Operating Class: gR (10-32A, 50-63A) , aR (40A, 80-1600A)

Agency Information: CE, IEC 60629 Part 4, UL Recognised, CSA.

Catalogue Numbers: See next page



Dimensions (mm):



Size	A	B	C	D	E	F	G	H	I	J
000	78,5	53	15	52	35	10	49,7	1,5	6	20,5
00	78,5	53	15	59	35	10	49,7	2	6	30
1	135	71,4	20	64	40	10	67,5	2	6	40
2	150	71,4	25,1	72	48	10	67,5	2	6	54
3	150	72,4	32	87	60	10	68,5	2,5	6	71

勝特力材料 886-3-5753170
 勝特力电子(上海) 86-21-34970699
 勝特力电子(深圳) 86-755-83298787
[Http://www.100y.com.tw](http://www.100y.com.tw)

Square Body Fuses

DIN 43 620 - Dual Indicator Fuses

690V (IEC) / 10 – 1600A

Catalogue Numbers:

Size	Catalogue Numbers	Electrical Characteristics				
		Rated Voltage (V)	Rated Current RMS-Amp	I ² t (A ² Sec)		Watt Loss (W)(*)
				Pre-arc	Clearing at 690V	
000	170M1558D	690	10	4	27	2.5
	170M1559D	690	16	7	51	4
	170M1560D	690	20	11.5	82.5	5
	170M1561D	690	25	19	140	6
	170M1562D	690	32	40	285	7
	170M1563D	690	40	65	490	8.5
	170M1564D	690	50	115	815	9.5
	170M1565D	690	63	215	1550	11.5
	170M1566D	690	80	380	2700	15
	170M1567D	690	100	695	4950	16.5
	170M1568D	690	125	1180	8250	21.5
	170M1569D	690	160	2300	16500	25
	170M1570D	690	200	4350	31000	29.5
170M1571D	690	250	7900	56000	35.5	
00	170M1572D	690	315	12000	84500	45
1	170M3808D	690	40	40	285	4
	170M3809D	690	50	78	550	4.5
	170M3810D	690	63	120	850	6.5
	170M3811D	690	80	185	1350	8.5
	170M3812D	690	100	360	2600	10
	170M3813D	690	125	550	3900	11
	170M3814D	690	160	1150	8250	12
	170M3815D	690	200	2300	16500	12.5
	170M3816D	690	250	4350	31000	16
	170M3817D	690	315	7300	52000	20
	170M3818D	690	350	10000	73000	21.5
	170M3819D	690	400	16000	115000	23
	170M4863D	690	450	21500	155000	26.5
170M4864D	690	500	27000	190000	28.5	
170M4865D	690	550	33500	240000	33	
170M4866D	690	630	48500	345000	37.5	
170M4867D	690	700	69500	495000	39	
2	170M5808D	690	400	11000	79000	29
	170M5809D	690	450	16000	115000	32
	170M5810D	690	500	21500	155000	34
	170M5811D	690	550	29000	215000	36
	170M5812D	690	630	41000	295000	42
	170M5813D	690	700	60500	430000	43
	170M5814D	690	800	86000	610000	48
	170M5820D	690	900	125000	895000	52
	170M5816D	690	1000	180000	1300000	53
170M5817D	690	1100	245000	1750000	56	
3	170M6808D	690	500	14000	99500	43
	170M6809D	690	550	19500	140000	44
	170M6810D	690	630	31000	220000	45
	170M6811D	690	700	45000	320000	46
	170M6812D	690	800	69500	490000	48
	170M6813D	690	900	100000	720000	50
	170M6814D	690	1000	140000	985000	56
	170M6892D	690	1100	190000	1400000	57
	170M8554D	690	1250	300000	2150000	61
	170M8555D	690	1400	380000	2700000	70
	170M8556D	690	1500	470000	3350000	72
170M8557D	690	1600	585000	4150000	74	

(*) Given at max. loading current, please refer to datasheet.

Data Sheets: 170K6386 (Size 000), 170K6388 (Size 1), 170K6390 (Size 2), 170K6392 (Size 3)

勝特力材料 886-3-5753170
 勝特力电子(上海) 86-21-34970699
 勝特力电子(深圳) 86-755-83298787
[Http://www.100y.com.tw](http://www.100y.com.tw)

Square Body Fuses

DIN 43 620 1000V (IEC): 20–225A

Specifications

Description: Square body DIN 43 620 blade style high speed fuses for the protection of DC common bus, DC drives, power converters/rectifiers and reduced voltage starters.

Ratings:

- Volts: — 1000Vac
- Amps: — 20–225A
- IR: — 125kA RMS Sym.

Operating Class: aR

Agency Information: CE, Designed and tested to IEC 60269: Part 4, UL Recognized.

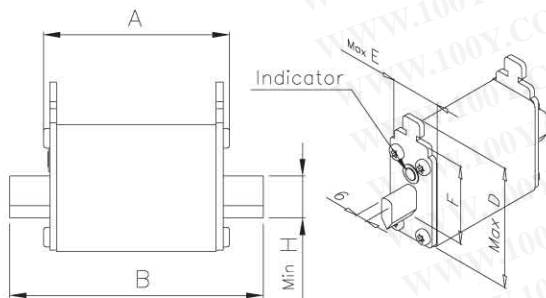
Catalogue Numbers:



Cat. Numbers	Fuse Size	Electrical Characteristics				
		Rated Voltage	Rated Current RMS Amps	I ² t (A ² Sec)		Watts Loss
				Pre-arc	Clearing at Rated Voltage	
170M2673	00	1000	20	15	110	8.5
170M2674		1000	25	28.5	210	9.5
170M2675		1000	32	53	390	11
170M2676		1000	35	69	500	12
170M2677		1000	40	105	760	13
170M2678		1000	50	215	1550	14
170M2679		1000	63	380	2750	16
170M2680		1000	80	815	5900	18
170M2681		1000	100	1550	11500	21
170M2682		1000	125	3000	22000	23
170M2683		1000	160	6250	45000	26
170M2684		900	200	12000	86500	31
170M2685		900	225	18000	115000	33

Data Sheet : 170K8506

Dimensions (mm):



Size	A	B	Max D	Max E	F	G	Min H
DIN 00	49	78.5	60	30	35	6	15

1mm = 0.0394" / 1" = 25.4mm

勝特力材料 886-3-5753170
 勝特力电子(上海) 86-21-34970699
 勝特力电子(深圳) 86-755-83298787
[Http://www.100y.com.tw](http://www.100y.com.tw)