

Splash Proof Fan

**80** mm sq.

**San Ace 80W**

25mm thick  
 25mm thick(WP type)  
 25mm thick(WS type)



**General Specifications** With a pulse sensor

- Material ..... Frame: Plastics (Flammability: UL94V-0),  
 Impeller: Plastics (Flammability: UL94V-1)
- Life Expectancy ..... Varies for each model(L10:Survival rate: 90% at 60°C ,  
 rated voltage,and continuously run in a free air state)
- Lead Wire ..... ⊕red ⊖black Sensor yellow
- Storage Temperature ..... -30°C to +70°C (Non-condensing)

**80×80×25mm** [Mass : 130g]

**IP 55** Dust resistant device with protection against water jets

**WP type**

**Specifications** The numbers in ( ) represent ribless models.

Model No.	Rated Voltage [V]	Operating Voltage Range [V]	Rated Current [A]	Rated Input [W]	Rated Speed [min <sup>-1</sup> ]	Air Flow [m <sup>3</sup> /min] [CFM]		Static Pressure [Pa] [inchH <sub>2</sub> O]		SPL [dB(A)]	Operating Temperature [°C]	Life Expectancy [h]
9WP0812H401(4011)	12	10.2 to 13.8	0.13	1.56	2,900	1.03	36.4	35.3	0.142	29	- 10 to + 70	60,000
9WP0824H401(4011)	24	20.4 to 27.6	0.07	1.68	2,900	1.03	36.4	35.3	0.142	29		40,000
9WP0848S401(4011)	48	40.8 to 55.2	0.06	2.88	3,400	1.20	42.4	48.0	0.193	34		40,000

**Without Sensor**

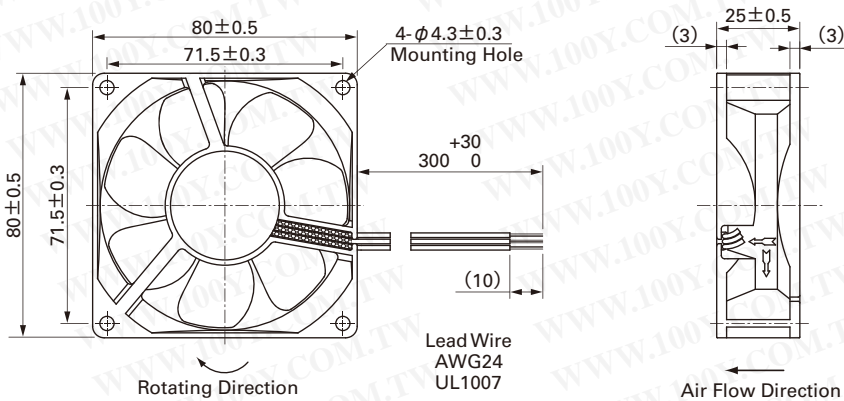
**Pulse Sensor**

Available in all models.

**Lock Sensor**

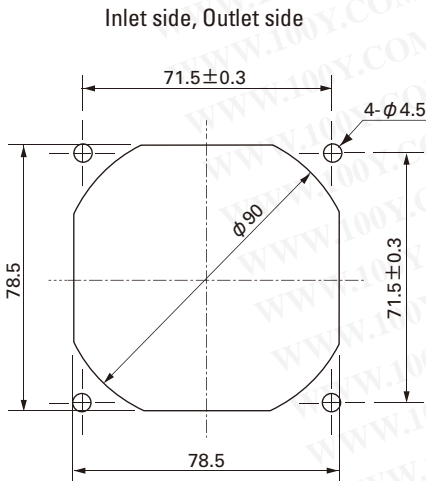
Please inquire as the availability of these functions depend on the model.

**Dimensions (Unit : mm)** (With ribs)



勝特力材料 886-3-5753170  
 勝特力电子(上海) 86-21-34970699  
 勝特力电子(深圳) 86-755-83298787  
[Http://www.100y.com.tw](http://www.100y.com.tw)

**Reference dimension of mounting holes and vent opening (Unit : mm)**



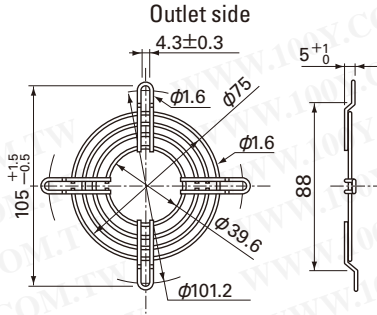
**Options (Unit : mm)**

**Finger guards**

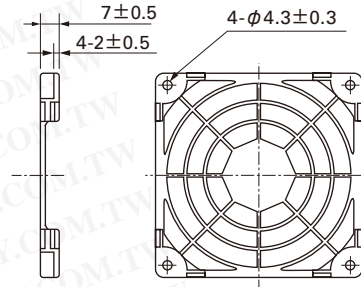
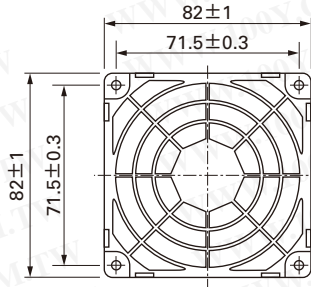
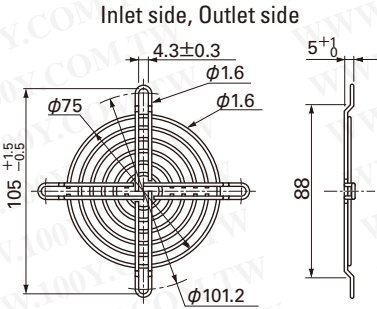
Model : 109-049C Surface treatment : Nickel-chrome plating (silver) Color

**Resin Finger guards**

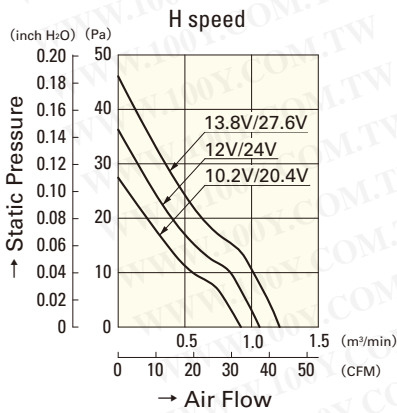
Model : 109-1002G



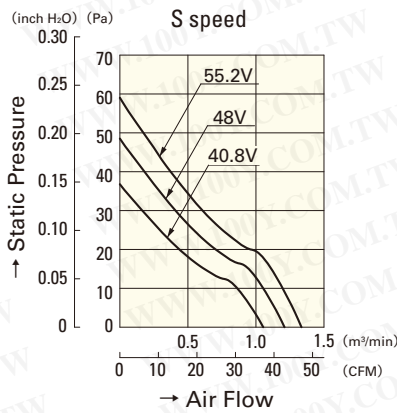
Model : 109-049E Surface treatment : Nickel-chrome plating (silver) Color  
: 109-049H : Cation electropainting (black)



**Air Flow and Static Pressure Characteristics**



**9WP0812H401(4011)**  
**9WP0824H401(4011)**



**9WP0848S401(4011)**

勝特力材料 886-3-5753170  
勝特力电子(上海) 86-21-34970699  
勝特力电子(深圳) 86-755-83298787  
[Http://www.100y.com.tw](http://www.100y.com.tw)