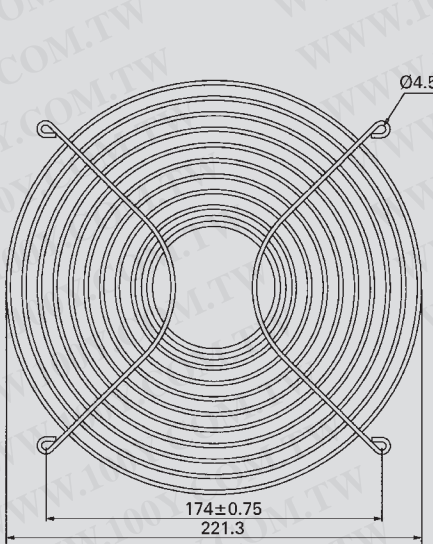
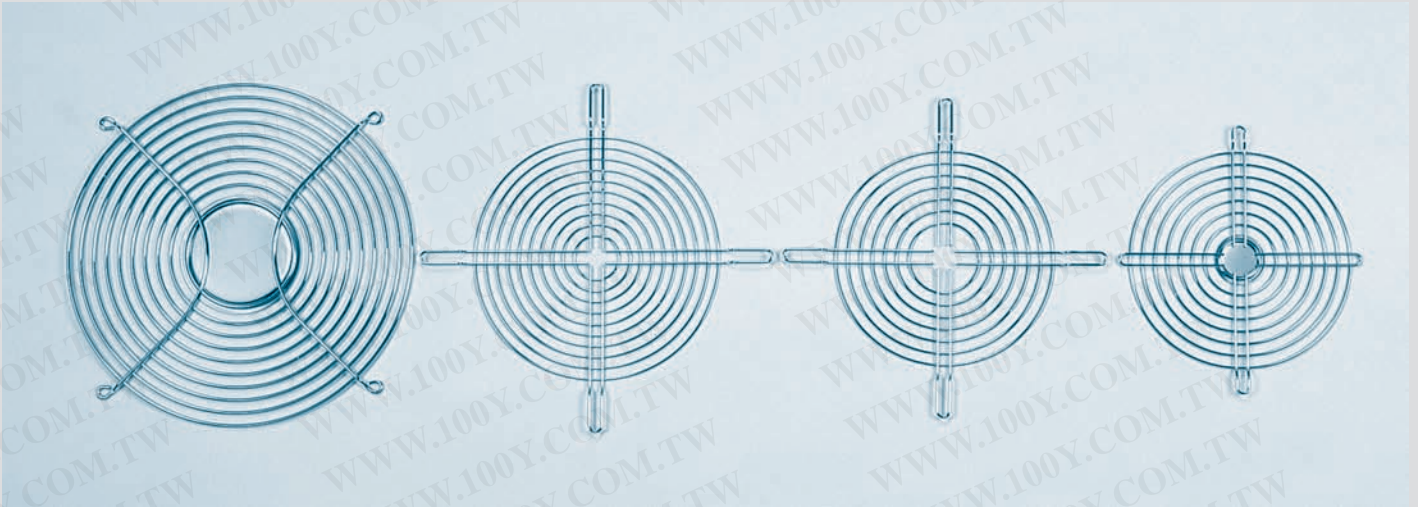


# ACCESSORIES

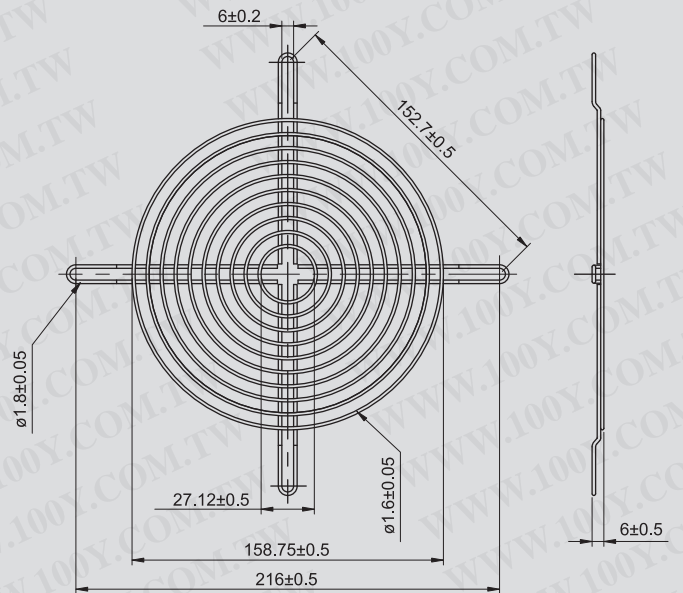
勝特力材料 886-3-5753170  
 勝特力电子(上海) 86-21-54151736  
 勝特力电子(深圳) 86-755-83298787  
[Http://www.100y.com.tw](http://www.100y.com.tw)

## Fan Guard

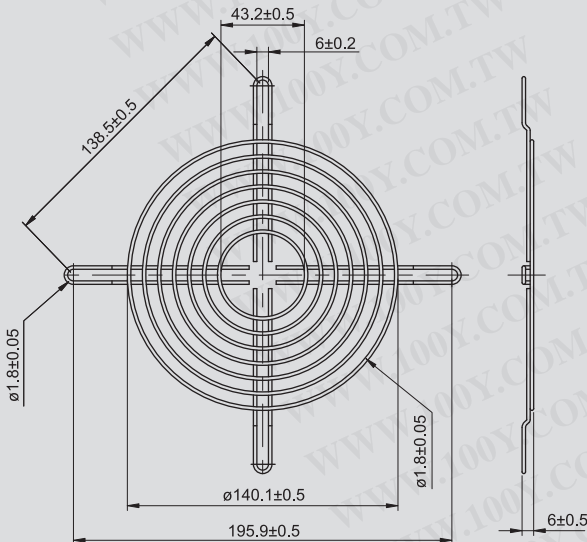
Unit: mm



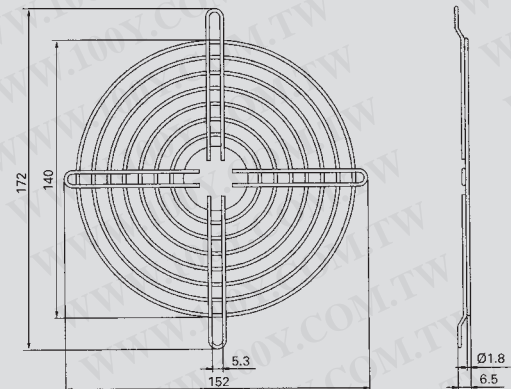
MG-25 (For UF25HC, 25GC, 25GCA, 25GCB Series)  
 \*Steel



MG-18 (For UF18JC Series)  
 \*Steel



MG-16 (For UF16FC Series)  
 \*Steel



MG-15 (For UF15P, 17P, 15PC, 15KC, 17PC, 15AC Series)  
 \*Steel