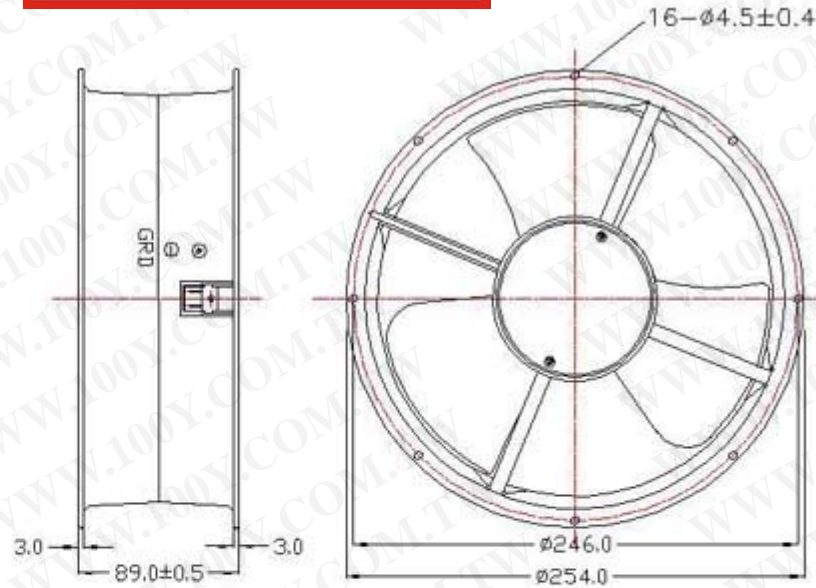


勝特力材料 886-3-5753170  
 勝特力电子(上海) 86-21-34970699  
 勝特力电子(深圳) 86-755-83298787  
[Http://www.100y.com.tw](http://www.100y.com.tw)



Size: Ø254 X 89 MM



MODEL	Bearing ◎ Sleeve ○ Ball	Voltage V	Frrq. Hz	Current A	Power W	Speed RPM	Noise dBA	Airflow CFM	Static Pressure (mmH <sub>2</sub> O)	Weight Gram
UF-2589BT23HC	○	230	50/60	0.60/0.70	100/130	2600/3000	62/65	810/940	23/21	1900
UF-2589BT23MC	○	230	50/60	0.35/0.45	65/80	2300/2300	59/59	720/720	19/17.5	
UF-2589BT23LC	○	230	50/60	0.20/0.25	31/33	1400/1650	52/55	425/510	8.9/12	
UF-2589BT12HC	○	115	50/60	1.0/1.5	100/130	2600/3000	62/65	810/940	23/21	
UF-2589BT12MC	○	115	50/60	0.75/0.90	65/80	2300/2300	59/59	720/720	19/17.5	
UF-2589BT12LC	○	115	50/60	0.28/0.30	31/33	1400/1650	52/55	425/510	8.9/12	