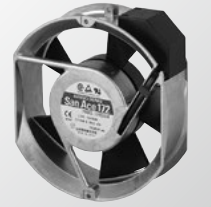


Ø 172×150×51 mm

San Ace 172     

Sidecut type



General Specifications

- Material Frame: Aluminum, Impeller: Plastic (Flammability: UL 94V-1)
- Expected life See the table below. (L10 life: 90% survival rate for continuous operation in free air at 60°C, rated voltage)
- Motor structure Capacitor motor
- Motor protection function Locked rotor burnout protection, Reverse polarity protection
For details, please refer to p. 547.
- Dielectric strength 50/60 Hz, 1500 VAC, for 1 minute (between input terminal and frame)
- Insulation resistance 10 MΩ or more with a 500 VDC megger
- Sound pressure level (SPL) At 1 m away from the air inlet
- Operating voltage range Voltage of each model ±10%
- Storage temperature -30 to +70°C (Non-condensing)
- Mass 1000 g

Specifications

| Model no. | Rated voltage [V] | Frequency [Hz] | Input [W] | Current [A] | Locked rotor current [A] | Rated speed [min ⁻¹] | Max. airflow [m ³ /min] [CFM] | Max. static pressure [Pa] [inchH ₂ O] | SPL [dB (A)] | Operating temperature [°C] | Expected life [h] |
|-----------|-------------------|----------------|-----------|-------------|--------------------------|----------------------------------|--|--|--------------|----------------------------|-------------------|
| 109S301 | 100 | 50/60 | 27/25 | 0.33/0.25 | 0.65/0.64 | 2900/3500 | 5.3/6.4 187.3/226.1 | 147/196 0.59/0.787 | 51/56 | -30 to +60 | 25000/60°C |
| 109S304 | 115 | | | 0.29/0.22 | 0.55/0.54 | | | | | | |
| 109S302 | 200 | | | 0.16/0.13 | 0.33/0.32 | | | | | | |
| 109S303 | 230 | | | 0.14/0.11 | 0.28/0.27 | | | | | | |

Set Models

Fan, finger guard, plug cord, screws, etc. can be purchased in one package. For details, please refer to p. 594.

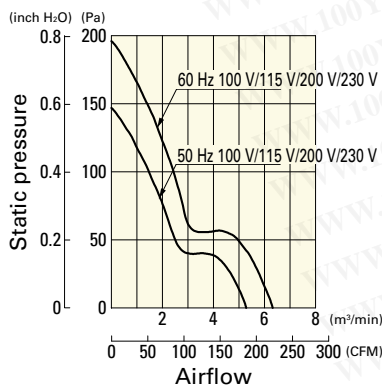
| Order no. | Set items | | | | | |
|-------------|-----------|---------|------------------|--------------|---------------|-----------------------|
| | Fan | Voltage | Low-speed sensor | Plug cord* | Finger guards | Mounting screws |
| ST1-109S301 | 109S301 | 100 V | | 489-1619-L10 | 109-319E | M4×25 mm (4 screws)** |
| ST1-109S304 | 109S304 | 115 V | | 489-1619-L10 | 109-319E | |
| ST1-109S302 | 109S302 | 200 V | | 489-1619-L10 | 109-319E | |
| ST1-109S303 | 109S303 | 230 V | | 489-1619-L10 | 109-319E | |

* PSE compatible.

** Though these are 2-hole or 3-hole frame mount types, 4 screws are included for extra.

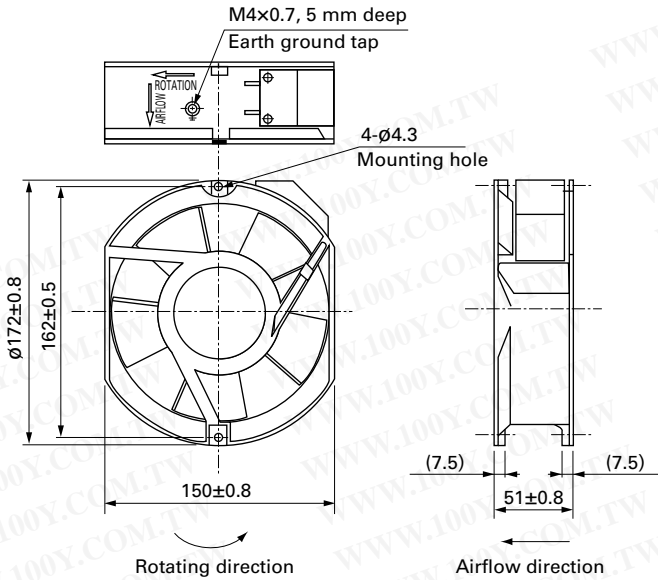
Airflow - Static Pressure Characteristics

109S301, 109S304, 109S302, 109S303

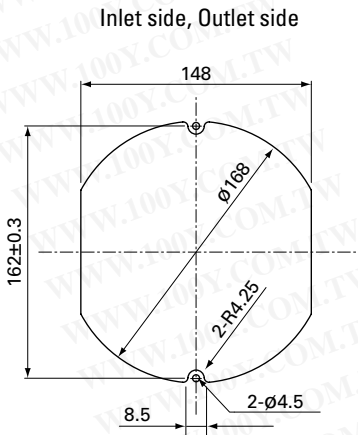


勝特力材料 886-3-5753170
 勝特力电子(上海) 86-21-34970699
 勝特力电子(深圳) 86-755-83298787
[Http://www.100y.com.tw](http://www.100y.com.tw)

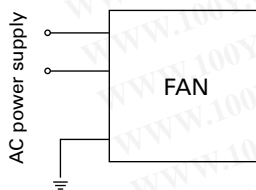
Dimensions (unit: mm)



Reference Dimensions of Mounting Holes and Vent Opening (unit: mm)



Wiring Diagram



勝特力材料 886-3-5753170
 勝特力电子(上海) 86-21-34970699
 勝特力电子(深圳) 86-755-83298787
[Http://www.100y.com.tw](http://www.100y.com.tw)

Options

Finger guards

page: p. 534

Model no.: 109-319E, 109-319H, 109-320

Plug cord

page: pp. 542 to 543

Model no.: 489-1619-L10, 489-1619-L21, 489-084-L10,
 489-084-L21

AC

AC Fan ∅172 mm