

40 mm sq.

San Ace 40

10mm thick (9P type), 15mm thick (9GA type),
 15mm thick (9P type), 20mm thick (9GA type),
20mm thick (9P type), 28mm thick (9GA type),
 28mm thick (9GE type), 28mm thick (9GV type),
 28mm thick (9P type)



General Specifications

- Material Frame: Plastics (Flammability: UL94V-0),
 Impeller: Plastics (Flammability: UL94V-1)
- Expected Life Refer to specifications (L10:Survival rate:90% at 60°C ,
 rated voltage, and continuously run in a free air state)
- Lead Wire ⊕red ⊖black or blue (Sensor) yellow
- Storage Temperature -30°C to +70°C (Non-condensing)

40×40×20mm (Mass : 45g) **9P type**

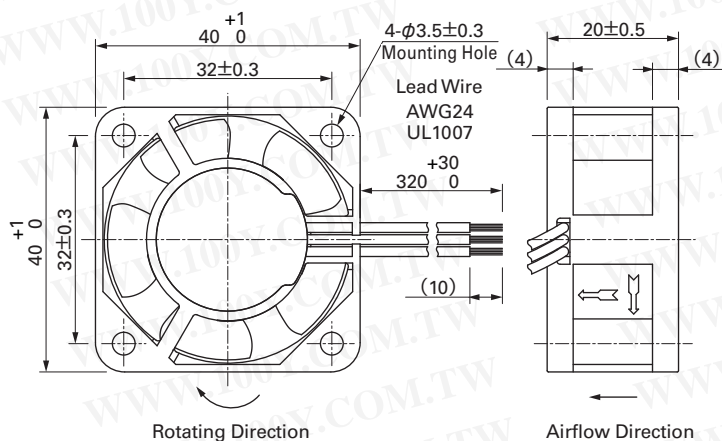
Specifications

The following nos. **have pulse sensors and ribs.**

Model No.	Rated Voltage [V]	Operating Voltage Range [V]	Rated Current [A]	Rated Input [W]	Rated Speed [min ⁻¹]	Max. Airflow [m ³ /min] [CFM]	Max. Static Pressure [Pa] [inchH ₂ O]	SPL [dB(A)]	Operating Temperature [°C]	Expected Life [h]
109P0405J601	5	4.5 to 5.5	0.46	2.3	9,800	0.28 9.9	98.5 0.396	39	-20 to +70	40,000
109P0405H601			0.32	1.6	8,000	0.225 8.0	65.7 0.264	33		
109P0405F601			0.25	1.25	6,500	0.183 6.5	45.1 0.181	28		
109P0405M601			0.12	0.60	5,000	0.136 4.8	26.5 0.106	24		
109P0412G601	12	7 to 13.8	0.28	3.36	12,500	0.35 12.4	153.8 0.618	44	-20 to +60	40,000
109P0412D601			0.18	2.16	11,000	0.31 10.9	124 0.498	42		
109P0412E601			0.15	1.8	9,200	0.26 9.2	87.3 0.351	37	-20 to +70	60,000
109P0412H601			0.11	1.32	8,000	0.225 8.0	65.7 0.264	33		
109P0412F601			0.09	1.08	6,500	0.183 6.5	45.1 0.181	28		
109P0412M601			0.06	0.72	5,000	0.136 4.8	26.5 0.106	24		
109P0424G601	24	12 to 27.6	0.15	3.6	12,500	0.35 12.4	153.8 0.618	44	-20 to +60	40,000
109P0424D601		12 to 27.6	0.13	3.12	11,000	0.31 10.9	124 0.498	42		
109P0424H601		12 to 27.6	0.07	1.68	8,300	0.233 8.2	69.6 0.280	35	-20 to +70	60,000
109P0424F601		14 to 27.6	0.06	1.44	6,500	0.183 6.5	45.1 0.181	28		
109P0424B601		20.4 to 27.6	0.06	1.44	5,200	0.14 4.9	28.3 0.114	25		

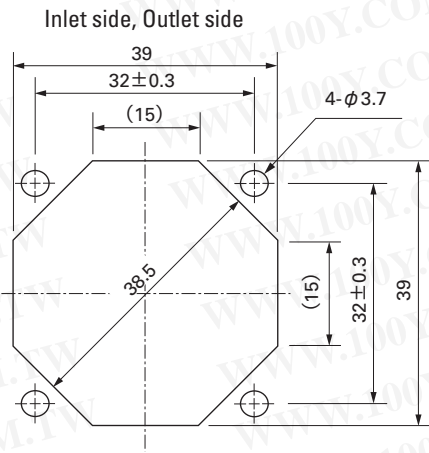
Some models can also be equipped without sensors or with PWM control functions as an option. Please refer to the index (pp. 417 to 437).

Dimensions (unit : mm)



勝特力材料 886-3-5753170
 勝特力电子(上海) 86-21-34970699
 勝特力电子(深圳) 86-755-83298787
[Http://www.100y.com.tw](http://www.100y.com.tw)

Reference Dimension of Mounting Holes and Vent Opening (unit : mm)



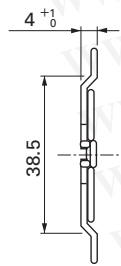
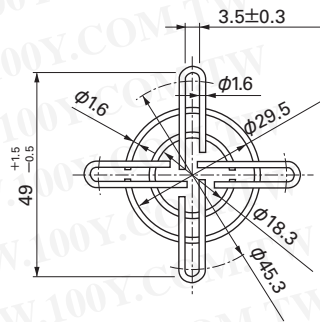
Options (unit : mm)

Finger Guards

Model : 109-059 Surface treatment : Nickel-chrome plating (silver)
 : 109-059H : Cation electropainting (black)

Color

Inlet side, Outlet side



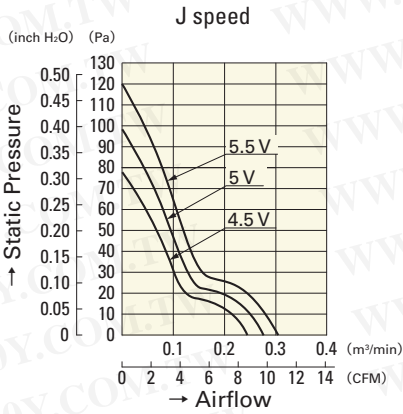
Mass : 7g

40 mm sq.

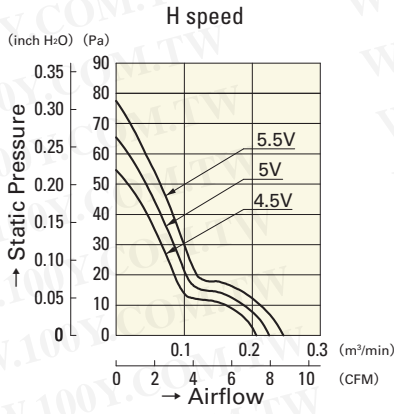
San Ace 40

40×40×20mm [Mass : 45g]

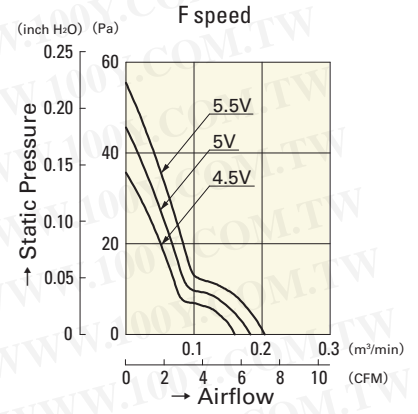
Airflow - Static Pressure Characteristics



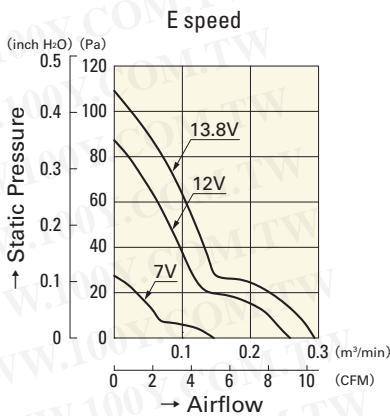
109P0405J601



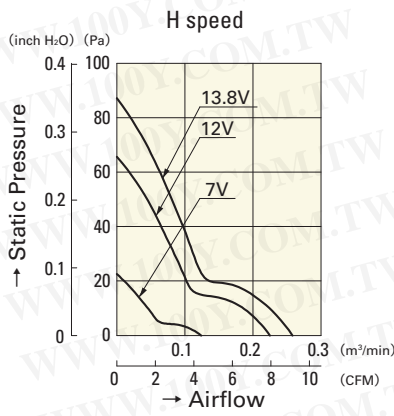
109P0405H601



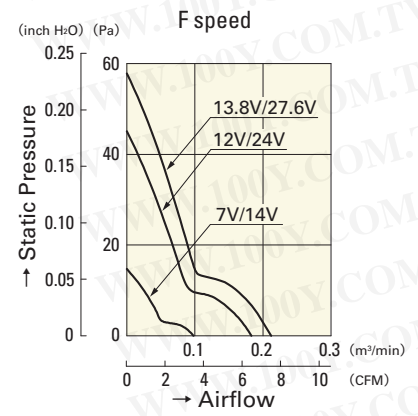
109P0405F601



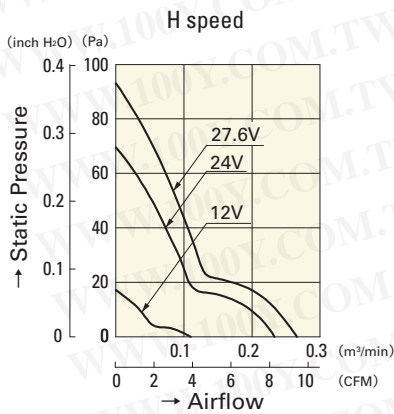
109P0412E601



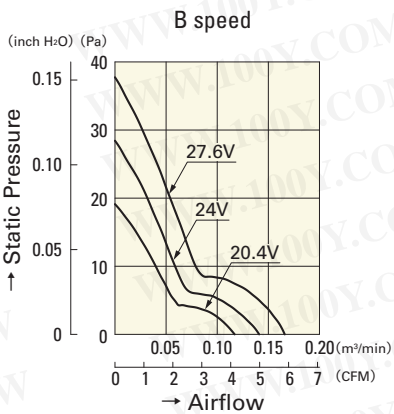
109P0412H601



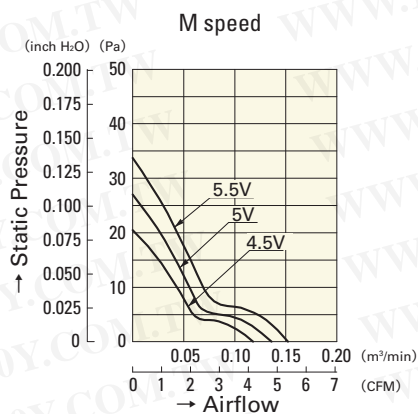
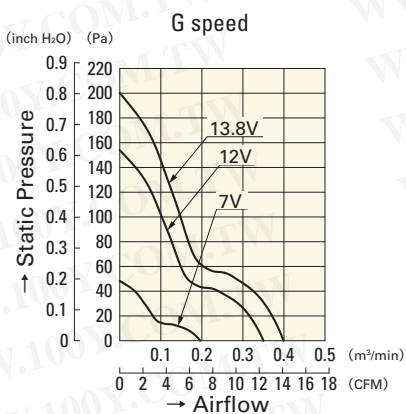
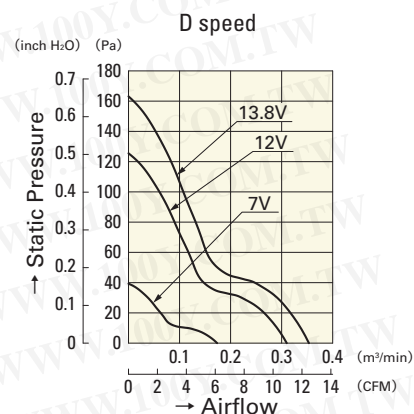
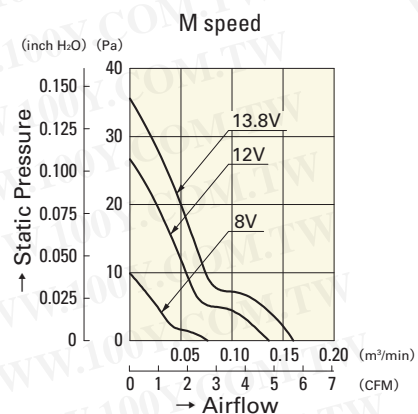
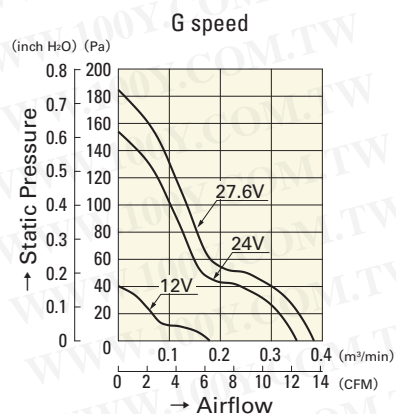
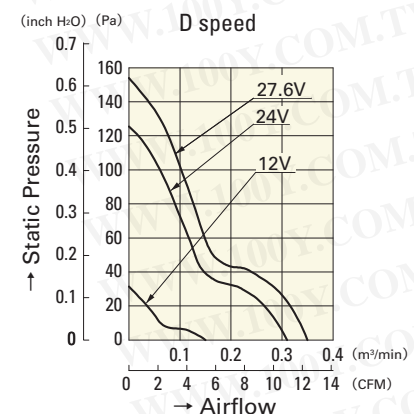
109P0412F601
109P0424F601



109P0424H601



109P0424B601

**109P0405M601****109P0412G601****109P0412D601****109P0412M601****109P0424G601****109P0424D601**

勝特力材料 886-3-5753170
 勝特力电子(上海) 86-21-34970699
 勝特力电子(深圳) 86-755-83298787
[Http://www.100y.com.tw](http://www.100y.com.tw)