

MagLev Motor AC Fan

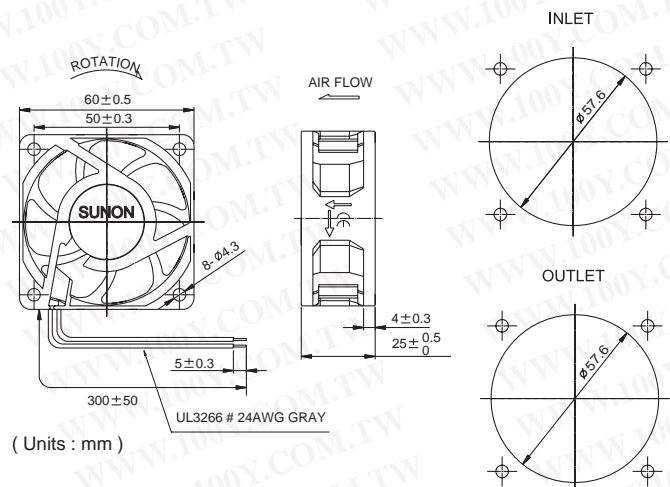
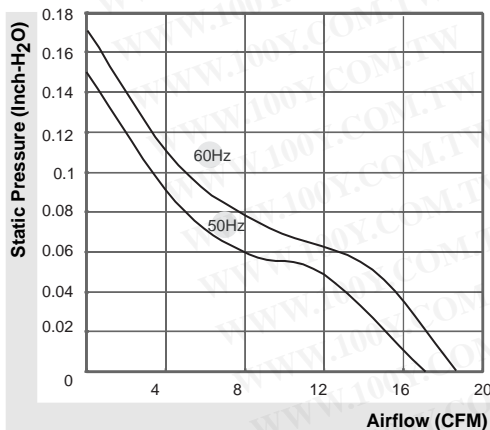
17 / 19 CFM



Model	P/N	Bearing ● VAPO ⊙ 2BALL	Rating Voltage (VAC)	Freq. (Hz)	Power Current (AMP)	Power Consumption (WATTS)	Speed (RPM)	Air Flow (CFM)	Static Pressure (Inch-H ₂ O)	Noise (dBA)	Weight (g)
MA1062-HVL	GN	●	115	50/60	0.12/0.12	3.6/3.6	3600/3700	17/19	0.15/0.17	25/27	80
MA2062-HVL	GN	●	230	50/60	0.10/0.10	3.8/3.8	3600/3700	17/19	0.15/0.17	25/27	80

Frame : PBT Plastic

勝特力材料 886-3-5753170
勝特力电子(上海) 86-21-54151736
勝特力电子(深圳) 86-755-83298787
[Http://www.100y.com.tw](http://www.100y.com.tw)



*The rated current is TRUE RMS current measured by BASE-450 (Autoranging Digital V-A-W METER).

*All model could be customized on voltage or any other requirements to fit your need.

*Specifications subject to change without notice. Please Visit SUNON web site at <http://www.sunon.com> for update information.