



勝特力材料 886-3-5753170  
 勝特力电子(上海) 86-21-54151736  
 勝特力电子(深圳) 86-755-83298787  
 Http://www.100y.com.tw

**SPECIFICATION FOR APPROVAL**

**CUSTOMER** :  
**DESCRIPTION** : DC BRUSHLESS FAN  
**DIMENSIONS** : 40X40X10 mm  
**MODEL** : KDE0504PFB2-8  
**APPROVED NO** :  
**APPROVED BY** :  
 (AUTHORIZED)

DAWN.	12/30	CHKD.		APPD.		SPEC. NO.	042456300
						ISSUE DATE	12. 30.1995
						EDITION	0
						REVISE DATE	

**DC BRUSHLESS FAN****MODEL: KDE0504PFB2-8**

勝特力材料 886-3-5753170  
勝特力电子(上海) 86-21-54151736  
勝特力电子(深圳) 86-755-83298787  
[Http://www.100y.com.tw](http://www.100y.com.tw)

**CHARACTERISTICS**

1. **Input power , Current & Speed** : Measured after continuous 30 minutes operation at rated voltage in clean air at ambient temperature of 25 degrees C.
2. **Noise Level** : Measured in an semi-anechoic chamber with background noise level below 15 dBA. The fan is running in free air with microphone at a distance of one meter from the fan intake.
3. **Dielectric Strength** : Applied AC 500V for one minute or AC 600V for 2 seconds between housing and lead wire(+)
4. **Motor Design** : Patented single-coil DC brushless 8 poles motor design.
5. **Insulation Resistance** : More than 500M ohm between internal stator and lead wire(+) measured by DC 500V.
6. **Tolerances** : +-15% on rated power and current
7. **Motor Protection** : Polarity protected & Locked rotor protected.
8. **Air Performance** : Measured by a double chamber. The value are recorded when the fan speed is stabilized at rated voltage.

勝特力材料 886-3-5753170  
勝特力电子(上海) 86-21-54151736  
勝特力电子(深圳) 86-755-83298787  
[Http://www.100y.com.tw](http://www.100y.com.tw)

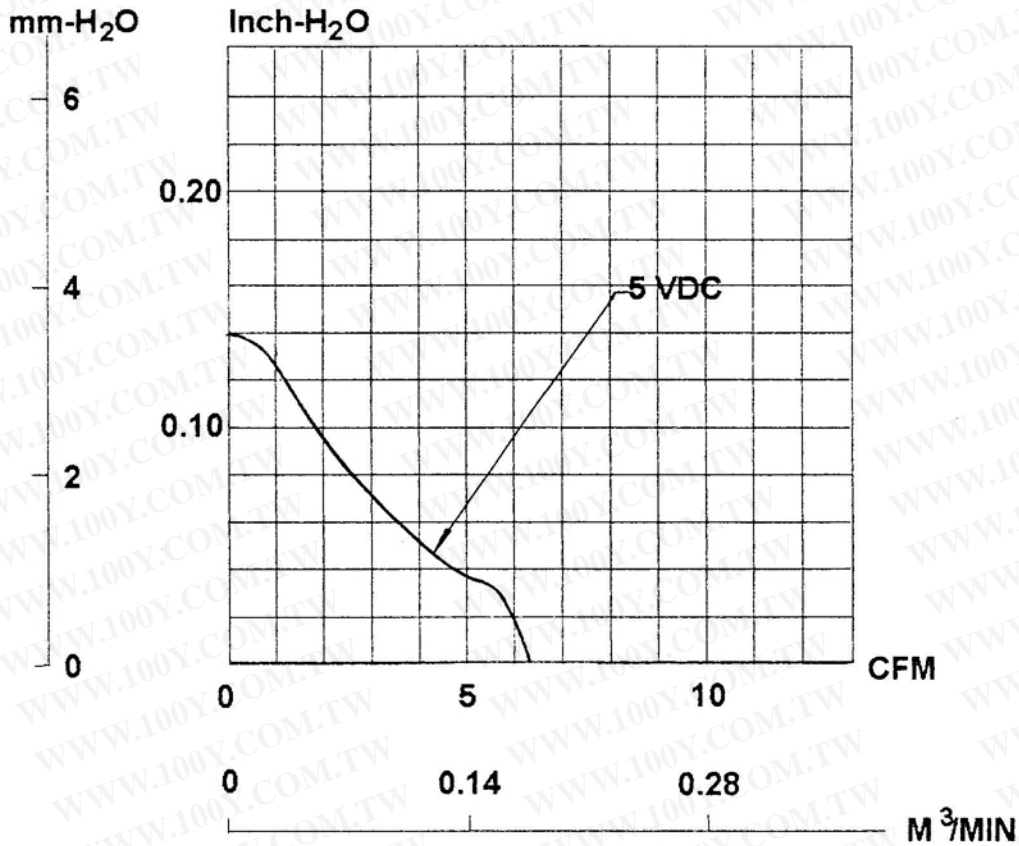
**SPECIFICATIONS****MODEL: KDE0504PFB2-8**

- |                              |   |                                  |
|------------------------------|---|----------------------------------|
| 1-1. Rated Voltage           | : | 5 VDC                            |
| 1-2. Operating Voltage Range | : | 4-6 VDC                          |
| 1-3. Starting Voltage        | : | 4 VDC                            |
| 1-4. Rated Speed             | : | 6500 RPM $\pm$ 1000 RPM          |
| 1-5. Air Delivery            | : | 6.2 CFM                          |
| 1-6. Static Pressure         | : | 0.14 Inch-H <sub>2</sub> O       |
| 1-7. Rated Current           | : | 0.11 AMP                         |
| 1-8. Rated Power             | : | 0.6 WATTS                        |
| 1-9. Noise Level             | : | 24.5 dB(A)                       |
| 1-10. Direction of Rotation  | : | Clockwies viewed from front face |
| 1-11. Operating Temperature  | : | <b>-10 to +70 Deg.C</b>          |
| 1-12. Storage Temperature    | : | <b>-40 to +70 Deg.C</b>          |
| 1-13. Bearing System         | : | Precise ball bearing system      |
| 1-14. Weight                 | : | 20g                              |
| 1-15. Safety                 | : | UL/CUR Approvals                 |

MODEL: KDE0504PFB2-8

PERFORMANCE CURVES

STATIC  
PRESSURE

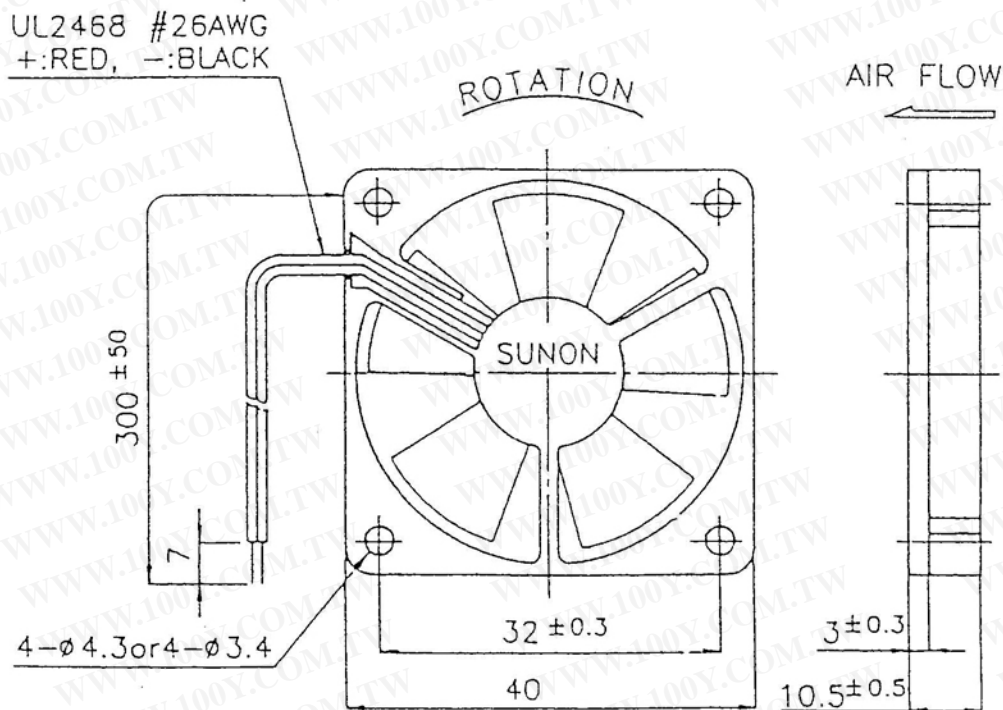


勝特力材料 886-3-5753170  
 勝特力电子(上海) 86-21-54151736  
 勝特力电子(深圳) 86-755-83298787  
[Http://www.100y.com.tw](http://www.100y.com.tw)

**MATERIAL**

- 2-1. Frame : Thermoplastic PBT of UL 94V-0
- 2-2. Impeller : Thermoplastic PBT of UL 94V-0
- 2-3. Bobbin : Thermoplastic PBT of UL 94V-0
- 2-4. Lead Wire : UL2468, 26AWG, +:RED ; -:BLACK

**DIMENSIONS**



UNIT : mm