

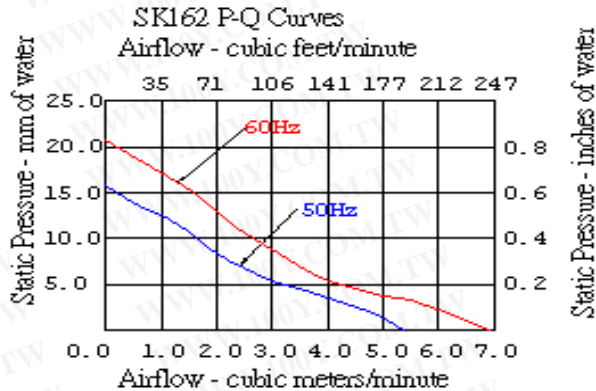
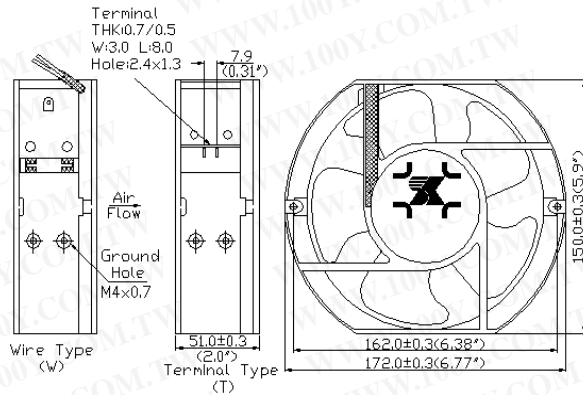


# AC FAN SK162AP

## Ø172x150x51mm(6")

### 230~100 CFM

勝特力材料 886-3-5753170  
 勝特力电子(上海) 86-21-34970699  
 勝特力电子(深圳) 86-755-83298787  
[Http://www.100y.com.tw](http://www.100y.com.tw)



- Motor** : Shaded pole, impedance protected or thermally protected
- Housing / Frame** : Die-cast aluminum, Painted black (AP) or Plated (AN)
- Impeller** : Glass reinforced thermoplastic, UL 94V-0
- Bearing Type** : Two-ball bearing
- Connecting** : T-Terminal push-on type or W-Lead wire type
- Dielectric Strength** : 1 min. at 1,500VAC, 50/60Hz
- Operating Temp** : Ambient -20°C ~+55°C
- Life Expectancy** : 50,000 hours at 25°C  
30,000 hours at 65°C
- Net Weight** : 1,050gm(2.31 pounds)
- Safety Approvals** : UL E202962 and cUL E202962 and CE and TUV R3-50007468



Model No.	Rated VAC	Voltage Range VAC	Freq. Hz	Rated Input Amp	Rated Input Watt	Rated Speed RPM	Max. Air Flow		Max. Static Pressure		Noise Level (dB)
							m <sup>3</sup> /min	CFM	mm-H <sub>2</sub> O	inch-H <sub>2</sub> O	
SK162AP-11-1	100 115	70-110 80-130	50/60	0.615/0.544	50.3/45.1	2600/2850	5.4/6.5	190/230	16/20	0.63/0.79	50±2
SK162AP-11-2		70-110 80-130		0.329/0.329	28/27.9	2400/2000	4.5/4.2	159/148	13/14	0.51/0.55	40±2
SK162AP-11-3		80-120 80-130		0.281/0.281	25.9/25	2170/1300	3.2/2.9	113/100	10/8	0.40/0.31	32±2
SK162AP-22-1	200 220 240	150-210 150-240 160-260	50/60	0.311/0.266	52/46	2600/2850	5.4/6.5	190/230	16/20	0.63/0.79	50±2
SK162AP-22-2		150-210 150-240 160-260		0.174/0.171	28.8/28.5	2400/2200	4.5/4.2	159/148	13/14	0.51/0.55	40±2
SK162AP-22-3		150-210 150-240 160-260		0.133/0.128	23.1/21.3	2170/1300	3.2/2.9	113/100	10/8	0.40/0.31	32±2