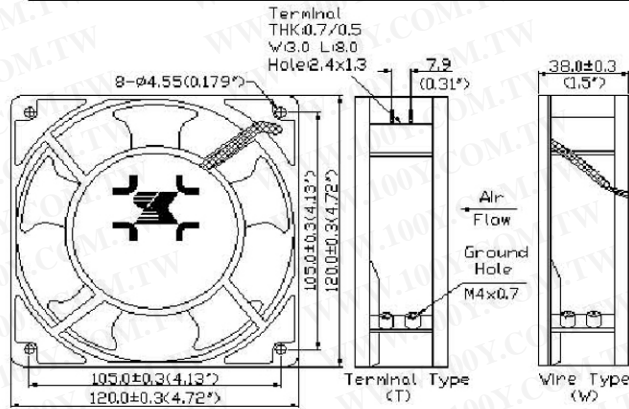




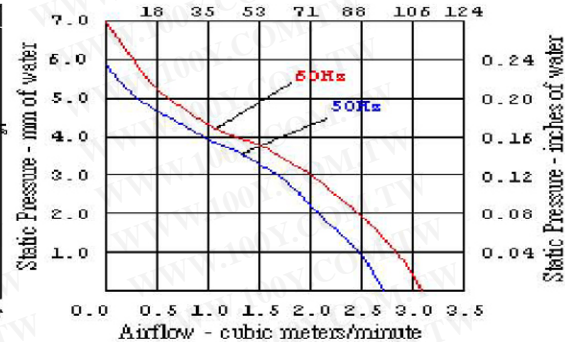
# AC FAN SK109AP

120x120x38mm(4.5")  
110~50 CFM

勝特力材料 886-3-5753170  
 勝特力电子(上海) 86-21-34970699  
 勝特力电子(深圳) 86-755-83298787  
[Http://www.100y.com.tw](http://www.100y.com.tw)



SK109 P-Q Curves  
Airflow - cubic feet/minute



- Motor** : Shaded pole, impedance protected
- Housing / Frame** : Die-cast aluminum, Painted black (AP) or Plated (AN)
- Impeller** : Glass reinforced thermoplastic, UL 94V-0
- Bearing Type** : Two-ball or sleeve available
- Connecting** : T-Terminal push-on type or W-Lead wire type
- Dielectric Strength** : 1 min. at 1,500VAC, 50/60Hz
- Operating Temp** : Ball bearing -20°C ~+80°C  
Sleeve bearing -10°C ~+55°C
- Life Expectancy** : Ball bearing 60,000 hours at 60°C  
Sleeve bearing 20,000 hours at 45°C
- Net Weight** : 550gm (1.2 pounds)
- Safety Approvals** : UL E202962 and cUL E202962 and CE and TUV R3-50007468



Model No.	Rated VAC	Voltage Range VAC	Freq. Hz	Rated Input Amp	Rated Input Watt	Rated Speed RPM	Max. Air Flow m <sup>3</sup> /min CFM	Max. Static Pressure mm-H <sub>2</sub> O inch-H <sub>2</sub> O	Noise Level (dB)
SK109AP-11-1	110 115	70-110 80-130	50/60	0.287/0.234	21.9/18.6	2650/3000	2.5/3.1 88/110	5.8/7.0 0.23/0.28	42±2
SK109AP-11-2		70-110 80-130		0.155/0.145	13/12.2	2500/2400	1.8/2.0 63/71	4.9/5.4 0.19/0.21	35±2
SK109AP-11-3		70-110 80-130		0.118/0.113	10.4/9.9	2300/1800	1.5/1.4 53/50	4.0/3.7 0.16/0.15	26±2
SK109AP-22-1	200 220 240	150-210 150-240 160-260	50/60	0.129/0.112	21.4/18.7	2650/3000	2.5/3.1 88/110	5.8/7.0 0.23/0.28	42±2
SK109AP-22-2		150-210 150-240 160-260		0.070/0.064	11.8/11.0	2500/2400	1.8/2.0 63/71	4.9/5.4 0.19/0.21	35±2
SK109AP-22-3		150-210 150-240 160-260		50	0.044	8.3	2050	1.5 53	4.0 0.16