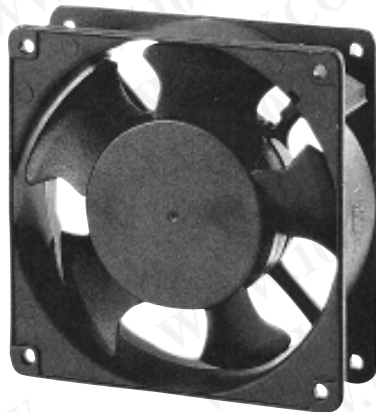
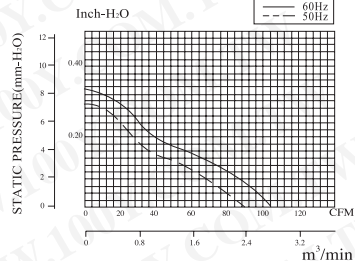
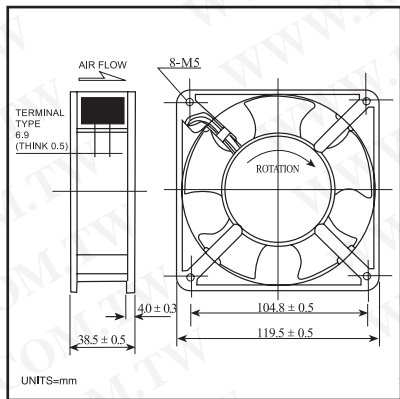


# 120 × 120 × 38mm

勝特力材料 886-3-5753170  
 勝特力电子(上海) 86-21-34970699  
 勝特力电子(深圳) 86-755-83298787  
[Http://www.100y.com.tw](http://www.100y.com.tw)



Model (型號)	Bearing System (培林)	Rated Voltage (V) (電壓)	Freq (Hz) (頻率)	Current (A) (電流)	Input Power (w) (功率)	Speed (rpm) (轉速)	Air Flow (CFM) (風量)	Static Pressure (mm-H <sub>2</sub> O) (靜壓)	Noise Level (dB-A) (噪音值)	Weight (g) (重量)
SJ1238HA1	Sleeve Ball	110/120	50/60	0.24/0.27	19/23	2700/3100	84/100	0.28/0.34	45/51	520
SJ1238HA2	Sleeve Ball	220/240	50/60	0.12/0.14	20/24	2700/3100	84/100	0.28/0.34	45/51	520