

勝特力材料 886-3-5753170
 勝特力电子(上海) 86-21-34970699
 勝特力电子(深圳) 86-755-83298787
 Http://www.100y.com.tw

60mm sq.

San Ace 60W

25mm thick (9WL type)
 25mm thick (9WP type)



DC
 Splash Proof Fan 40mm/60mm

General Specifications

- Material Frame: Aluminum (Black coating),
 Impeller: Plastics (Flammability: UL94V-1)
- Expected Life Refer to specifications (Indoor, L10:Survival rate:90% at 60°C ,
 rated voltage, and continuously run in a free air state)
- Lead Wire ⊕red ⊖black (Sensor) yellow (Control) brown
- Storage Temperature -30°C to +70°C (Non-condensing)

60×60×25mm (Mass : 110g) **IP 68** **9WL type** **High Airflow Long Life Fan**

Specifications

The following nos. have PWM controls and pulse sensors.

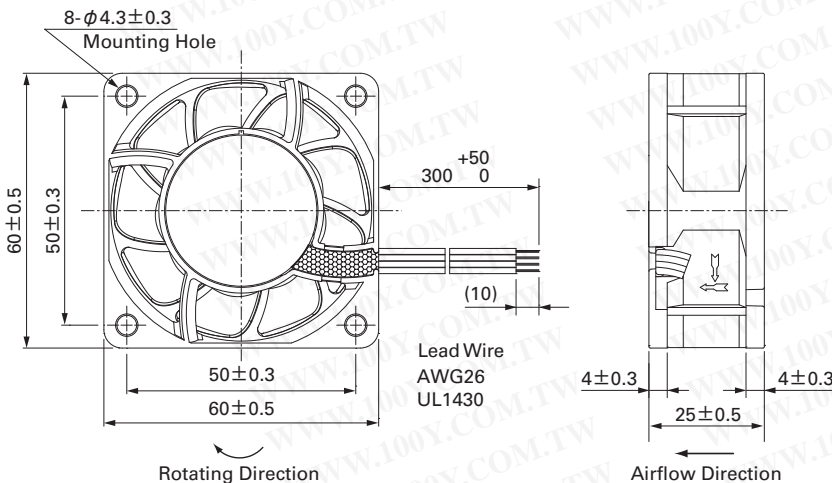
Model No.	Rated Voltage [V]	Operating Voltage Range [V]	PWM duty cycle (%)	Rated Current [A]	Rated Input [W]	Rated Speed [min ⁻¹]	Max. Airflow [m ³ /min] [CFM]	Max. Static Pressure [Pa] [inchH ₂ O]	SPL [dB(A)]	Operating Temperature [°C]	Expected Life [h]		
9WL0612P4S001	12	10.8 to 13.2	100	0.67	8.04	11,000	1.40 49.4	300 1.204	53	-20 to +70	180,000		
			20	0.06	0.72	2,900	0.36 12.7	20.8 0.083	20				
9WL0612P4J001			100	0.39	4.68	8,650	1.10 38.8	182 0.730	47				
			20	0.03	0.36	1,150	0.13 4.8	3.3 0.013	14				
9WL0612P4H001			100	0.17	2.04	6,150	0.78 27.5	97 0.389	36				
			20	0.03	0.36	1,350	0.17 6.0	4.7 0.018	14				
9WL0624P4S001			24	21.6 to 26.4	100	0.34	8.16	11,000	1.40 49.4			300 1.204	53
					20	0.03	0.72	2,900	0.36 12.7			20.8 0.083	20
9WL0624P4J001	100	0.19			4.56	8,650	1.10 38.8	182 0.730	47				
	20	0.02			0.48	2,200	0.28 9.8	12.0 0.048	17				
9WL0624P4H001	100	0.08			1.92	6,150	0.78 27.5	97 0.389	36				
	20	0.02			0.48	1,300	0.16 5.6	4.3 0.017	14				

Note: Fan does not rotate when PWM duty cycle is 0%.

※PWM Frequency : 25kHz

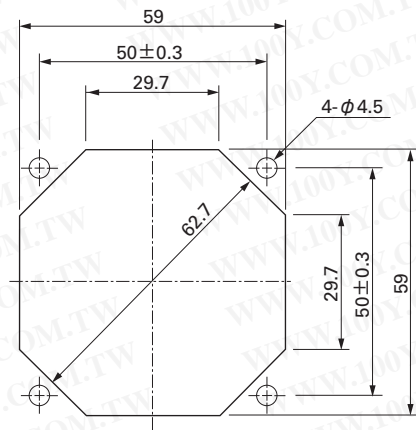
Some models can also be equipped without sensors as an option. Please refer to the index (pp. 417 to 437).

Dimensions (unit : mm)



Reference Dimension of Mounting Holes and Vent Opening (unit : mm)

Inlet side, Outlet side



Options (unit : mm)

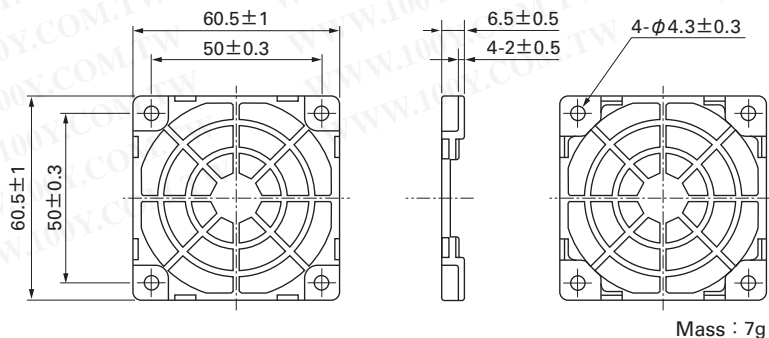
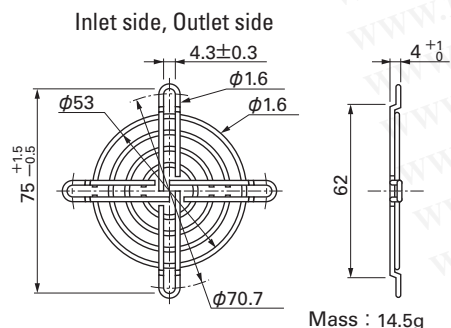
Finger Guards

Model : 109-139E Surface treatment : Nickel-chrome plating (silver)
 : 109-139H : Cation electropainting (black)

Color

Resin Finger Guards

Model : 109-1003G



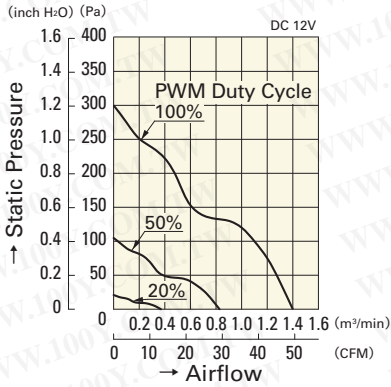
60mm sq.

San Ace 60W

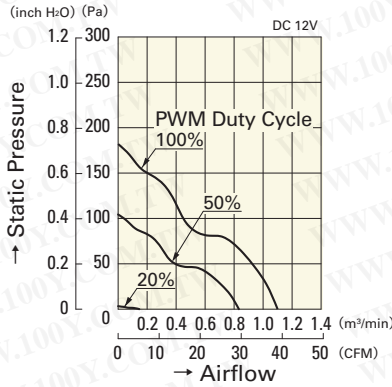
60×60×25mm [Mass : 120g]

Airflow - Static Pressure Characteristics

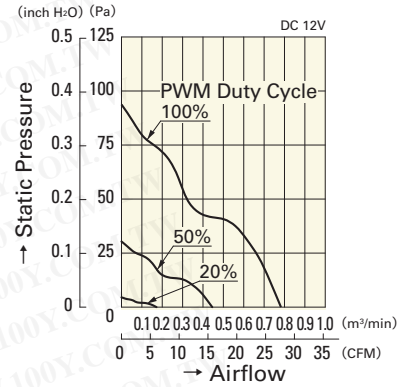
PWM Duty Cycle



9WL0612P4S001

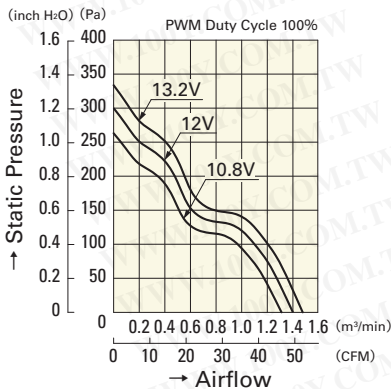


9WL0612P4J001

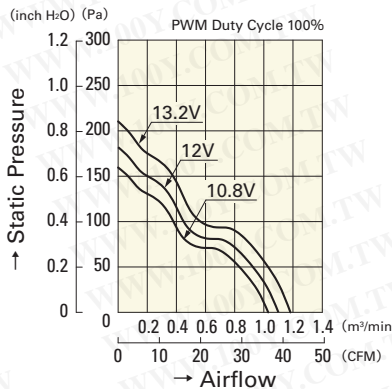


9WL0612P4H001

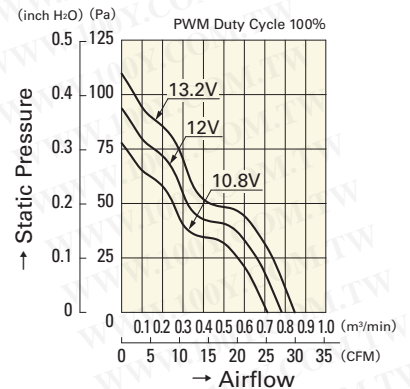
Operating Voltage Range



9WL0612P4S001

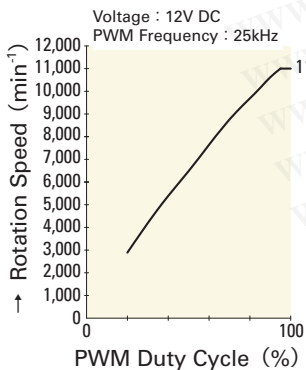


9WL0612P4J001

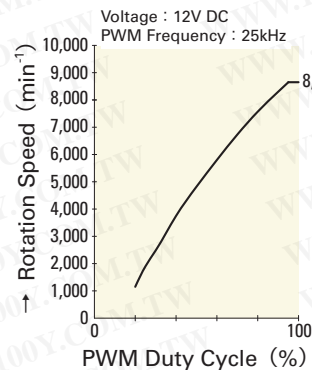


9WL0612P4H001

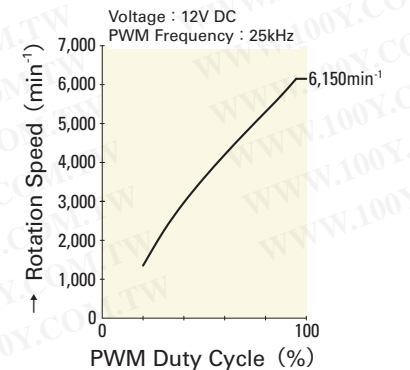
PWM Duty - Speed Characteristics Example



9WL0612P4S001

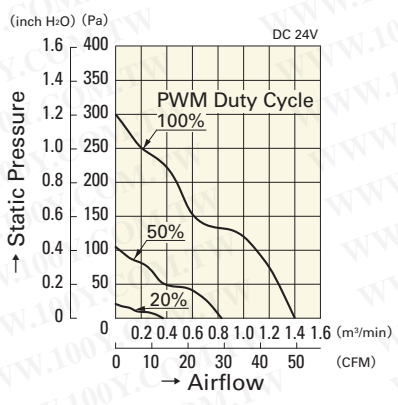


9WL0612P4J001

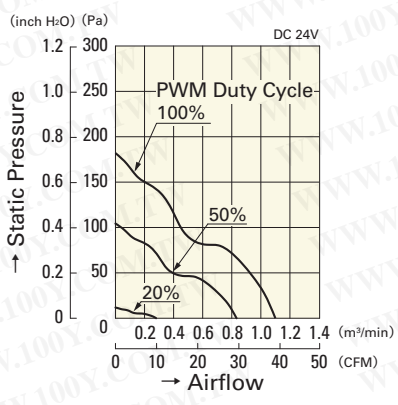


9WL0612P4H001

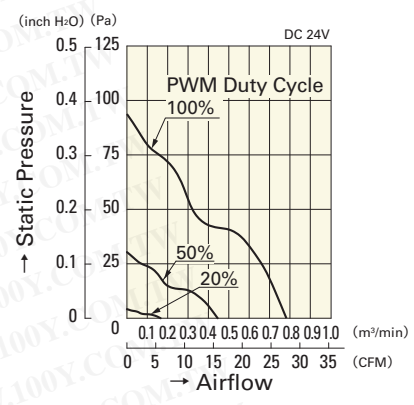
勝特力材料 886-3-5753170
 勝特力电子(上海) 86-21-34970699
 勝特力电子(深圳) 86-755-83298787
[Http://www.100y.com.tw](http://www.100y.com.tw)



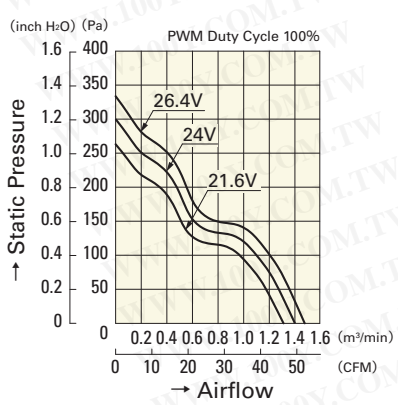
9WL0624P4S001



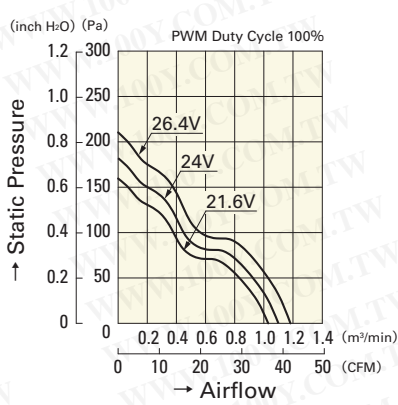
9WL0624P4J001



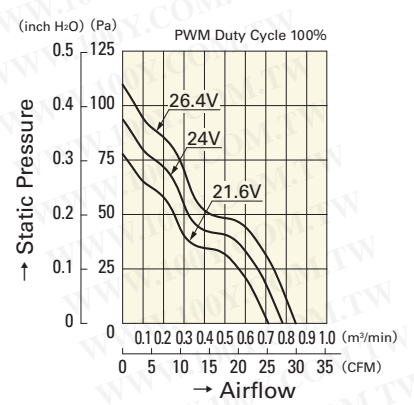
9WL0624P4H001



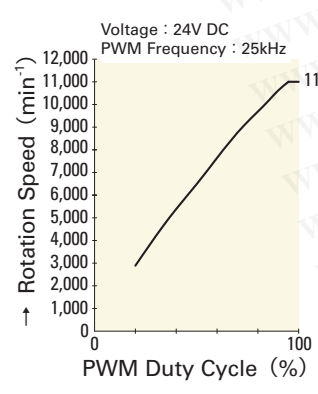
9WL0624P4S001



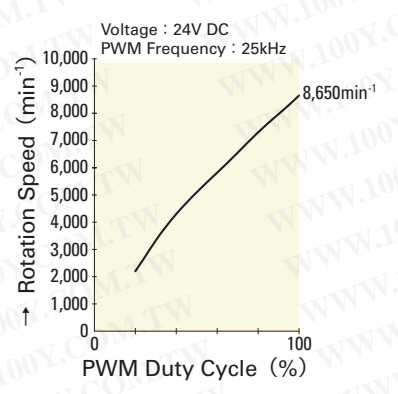
9WL0624P4J001



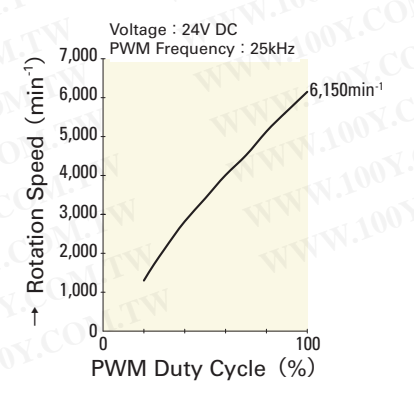
9WL0624P4H001



9WL0624P4S001



9WL0624P4J001



9WL0624P4H001