

80×80×42 mm

San Ace 80 

勝特力電材超市-龍山店 886-3-5773766
 勝特力電材超市-光復店 886-3-5729570
 勝特力电子(上海) 86-21-34970699
 勝特力电子(深圳) 86-755-83298787
<http://www.100y.com.tw>



General Specifications

- Material Frame: Aluminum (Black coating), Impeller: Plastic (Flammability: UL 94V-1)
- Expected life See the table below. (L10 life: 90% survival rate for continuous operation in free air at 60°C, rated voltage)
- Motor structure Shaded coil motor
- Motor protection function Locked rotor burnout protection, Reverse polarity protection
For details, please refer to p. 547.
- Dielectric strength 50/60 Hz, 1500 VAC, for 1 minute (between input terminal and frame)
- Insulation resistance 10 MΩ or more with a 500 VDC megger
- Sound pressure level (SPL) At 1 m away from the air inlet
- Operating voltage range Voltage of each model ±10%
- Storage temperature -30 to +70°C (Non-condensing)
- Mass 410 g

Specifications

| Model no. | Rated voltage [V] | Frequency [Hz] | Input [W] | Current [A] | Locked rotor current [A] | Rated speed [min ⁻¹] | Max. airflow [m ³ /min] [CFM] | Max. static pressure [Pa] [inchH ₂ O] | SPL [dB (A)] | Operating temperature [°C] | Expected life [h] | | | | | |
|------------|-------------------|----------------|-----------|-------------|--------------------------|----------------------------------|--|--|--------------|----------------------------|-------------------|-----------|-----------|---------------------|----------------------|-------|
| 109-040UL | 100 | 50/60 | 10/9 | 0.13/0.11 | 0.16/0.14 | 2650/3100 | 0.85/1.0 30.0/35.3 | 24.5/35.3 0.098/0.142 | 40/44 | -30 to +60 | 25000/60°C | | | | | |
| 109-043UL | 115 | | | 0.11/0.1 | 0.14/0.12 | | | | | | | | | | | |
| 109-041UL | 200 | | | 0.07/0.06 | 0.08/0.07 | | | | | | | | | | | |
| 109-044UL | 230 | | | 0.06/0.05 | 0.07/0.06 | | | | | | | | | | | |
| 109-047UL* | 100 | | | 4/3.5 | 0.05/0.05 | | | | | | | 0.05/0.05 | 1500/1500 | 0.43/0.43 15.2/15.2 | 8.8/ 8.8 0.035/0.035 | 24/24 |
| 109-033UL* | 115 | | | | 0.04/0.04 | | | | | | | 0.04/0.04 | | | | |

* These are low-speed models.

Set Models

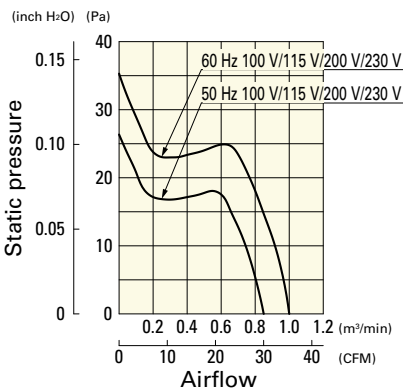
Fan, finger guard, plug cord, screws, etc. can be purchased in one package. For details, please refer to p. 594.

| Order no. | Set items | | | | | |
|---------------|-----------|---------|------------------|-------------|---------------|---------------------|
| | Fan | Voltage | Low-speed sensor | Plug cord* | Finger guards | Mounting screws |
| ST1-109-040UL | 109-040UL | 100 V | | 489-008-L10 | 109-049E | M4×55 mm (4 screws) |
| ST1-109-043UL | 109-043UL | 115 V | | 489-008-L10 | 109-049E | |
| ST1-109-041UL | 109-041UL | 200 V | | 489-008-L10 | 109-049E | |
| ST1-109-044UL | 109-044UL | 230 V | | 489-008-L10 | 109-049E | |
| ST1-109-047UL | 109-047UL | 100 V | | 489-008-L10 | 109-049E | |
| ST1-109-033UL | 109-033UL | 115 V | | 489-008-L10 | 109-049E | |

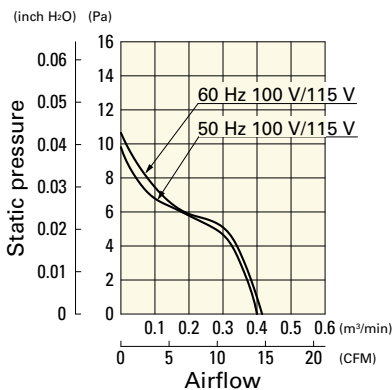
* PSE compatible.

Airflow - Static Pressure Characteristics

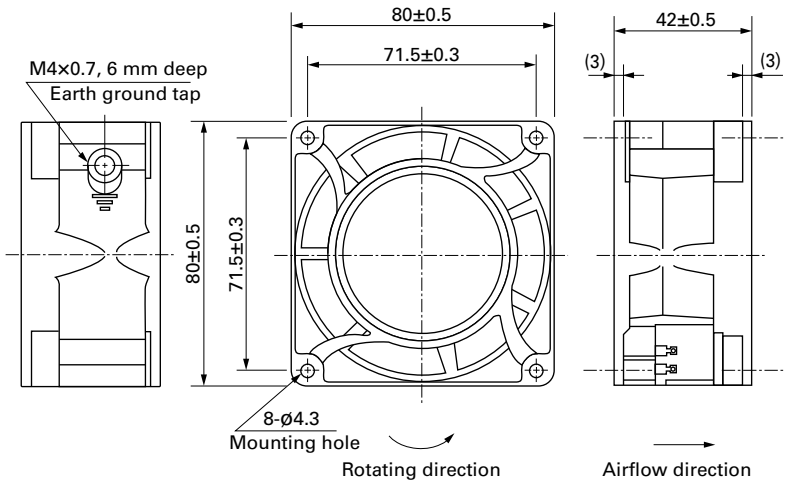
109-040UL, 109-043UL, 109-041UL, 109-044UL



109-047UL, 109-033UL

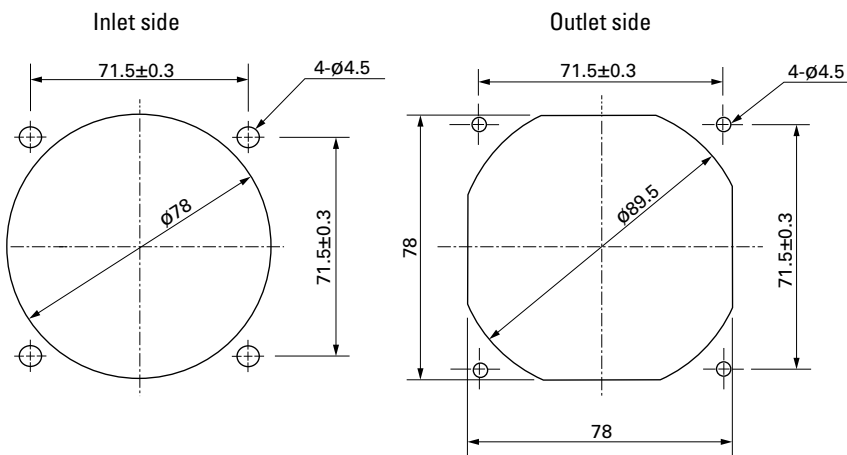


Dimensions (unit: mm)

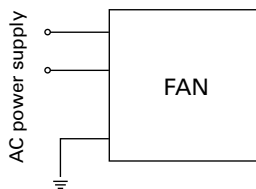


勝特力電材超市-龍山店 886-3-5773766
 勝特力電材超市-光復店 886-3-5729570
 勝特力電子(上海) 86-21-34970699
 勝特力電子(深圳) 86-755-83298787
<http://www.100y.com.tw>

Reference Dimensions of Mounting Holes and Vent Opening (unit: mm)



Wiring Diagram



Options

Finger guards

page: p. 532

Model no.: 109-049E, 109-049H, 109-049C

Resin finger guards

page: p. 539

Model no.: 109-1002G

Resin filter kits

page: p. 540

Model no.: 109-1002F13 (13PPI), 109-1002F20 (20PPI),
109-1002F30 (30PPI), 109-1002F40 (40PPI)

Plug cord

page: p. 542

Model no.: 489-008-L10, 489-008-L21, 489-008-L35