

92mm sq.

San Ace 92

25mm thick (9GA type), 25mm thick (9S type)
 25mm thick (9P type), 25mm thick (San Cooler) (9A type)
 32mm thick (9G type), 38mm thick (9GA type)
 38mm thick (9HV type), 38mm thick (9GV type)
 38mm thick (9G type)



勝特力電材超市-龍山店 886-3-5773766
 勝特力電材超市-光復店 886-3-5729570
 勝特力电子(上海) 86-21-34970699
 勝特力电子(深圳) 86-755-83298787
<http://www.100y.com.tw>

General Specifications

- Material Frame: Plastics (Flammability: UL94V-0),
 Impeller: Plastics (Flammability: UL94V-1)
- Expected Life Refer to specifications (L10:Survival rate:90% at 60°C ,
 rated voltage, and continuously run in a free air state)
- Lead Wire ⊕red ⊖black or blue (Sensor) yellow
- Storage Temperature -30°C to +70°C (Non-condensing)

92×92×25mm (Mass : 150g) **9P type**

Specifications

The following nos. **have pulse sensors and ribs**. For ribless, append "1" to the model no.

Model No.	Rated Voltage [V]	Operating Voltage Range [V]	Rated Current [A]	Rated Input [W]	Rated Speed [min ⁻¹]	Max. Airflow [m ³ /min] [CFM]	Max. Static Pressure [Pa] [inchH ₂ O]	SPL [dB(A)]	Operating Temperature [°C]	Expected Life [h]
109P0912J401	12	6 to 13.8	0.56	6.72	4,300	2.03 71.6	92.2 0.37	47	-20 to +60	40,000
109P0912W401		6 to 16	0.21	2.52	2,850	1.45 51.2	45 0.181	33		
109P0912H401		10.2 to 13.8	0.21	2.52	2,850	1.45 51.2	45 0.181	33		
109P0912F401			0.14	1.68	2,450	1.24 43.8	32.3 0.130	30		
109P0912M401			0.1	1.2	2,100	1.04 36.7	23.5 0.094	27		
109P0912L401			0.07	0.84	1,700	0.8 28.3	16.6 0.067	23		
109P0924W401	24	12 to 30	0.12	2.88	2,850	1.45 51.2	45 0.181	33	-20 to +70	
109P0924H401		20.4 to 27.6	0.12	2.88	2,850	1.45 51.2	45 0.181	33		
109P0924F401			0.08	1.92	2,450	1.24 43.8	32.3 0.130	30		
109P0924M401			0.06	1.44	2,100	1.04 36.7	23.5 0.094	27		
109P0924L401			0.05	1.2	1,700	0.8 28.3	16.6 0.067	23		
109P0948H401		48	43 to 53	0.06	2.88	2,850	1.45 51.2	45 0.181		

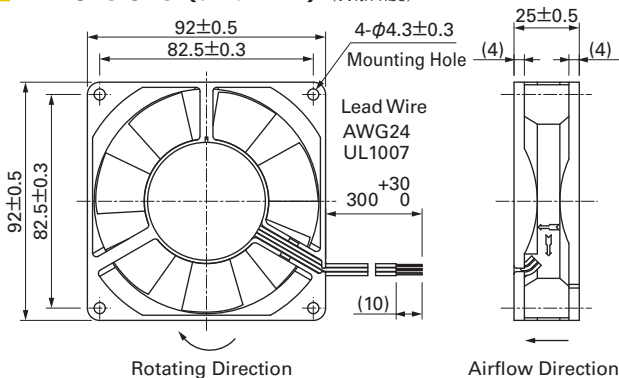
Some models can also be equipped without sensors as an option. Please refer to the index (pp. 417 to 437).

Set Models

- The set models listed below can be ordered as a single order.
- Set configuration items: Fan (without sensor), finger guard, screws (with flat washer and spring washer), hex nuts, operation manual

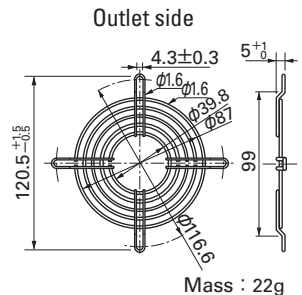
Model Number to Order	Fan Model	Sensor Specifications	Finger Guard Model	Mounting Screws
9U-109P0912H402	109P0912H402 (performs the same as the 109P0912H401)	Without sensor	109-099E	M4 screws (40 mm) x 4, Nuts x 4
9U-109P0924H402	109P0924H402 (performs the same as the 109P0924H401)			

Dimensions (unit : mm) (With ribs)

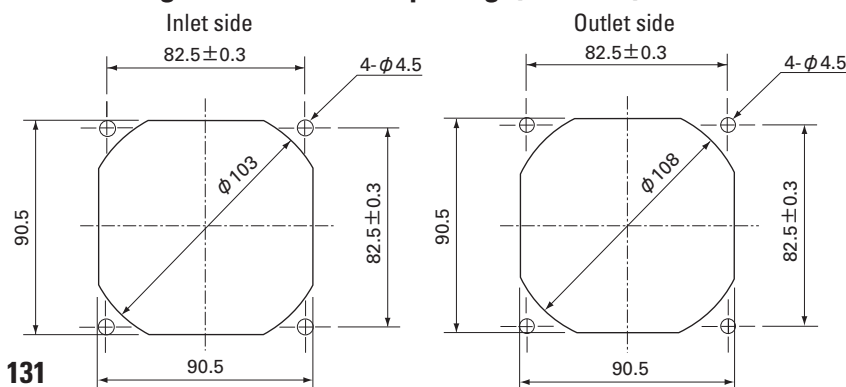


Options (unit : mm)

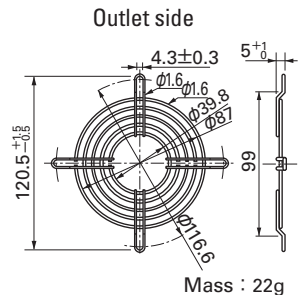
Finger Guards
 Model : 109-099C Surface treatment : Nickel-chrome plating (silver) Color



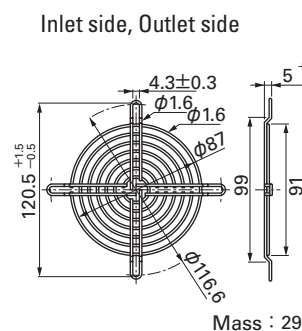
Reference Dimension of Mounting Holes and Vent Opening (unit : mm)



Model : 109-099E Surface treatment : Nickel-chrome plating (silver) Color
 : 109-099H : Cation electropainting (black)



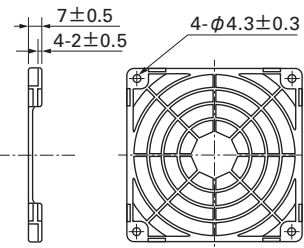
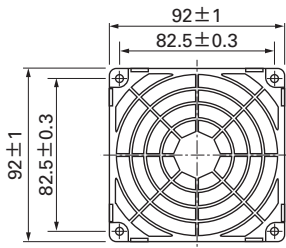
Model : 109-099E Surface treatment : Nickel-chrome plating (silver) Color
 : 109-099H : Cation electropainting (black)



Options (unit : mm)

Resin Finger Guards

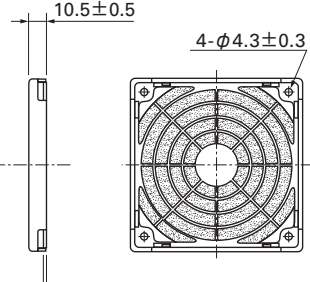
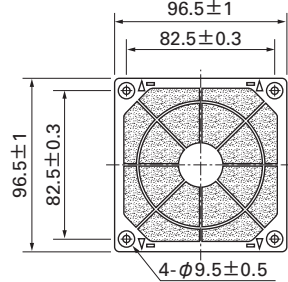
Model : 109-1001G



Mass : 12g

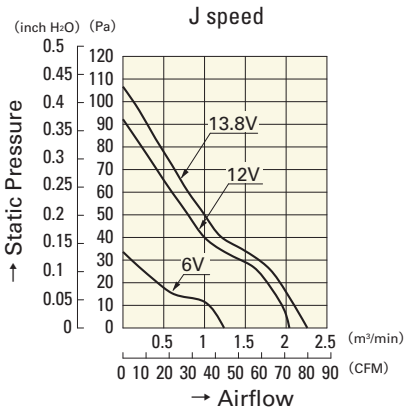
Resin Filter Kits

Model : 109-1001F13 (13PPI), 109-1001F20 (20PPI)
 : 109-1001F30 (30PPI), 109-1001F40 (40PPI)

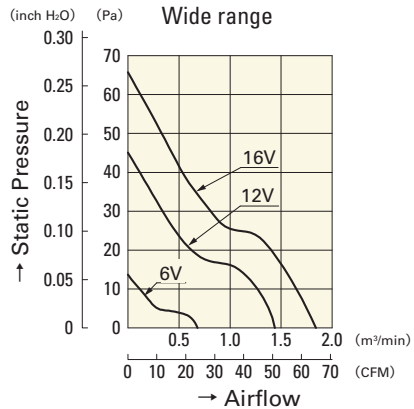


Mass : 25g

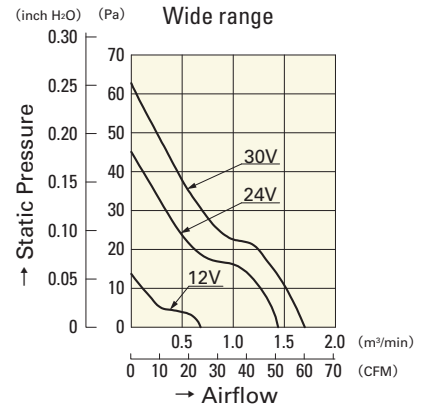
Airflow - Static Pressure Characteristics



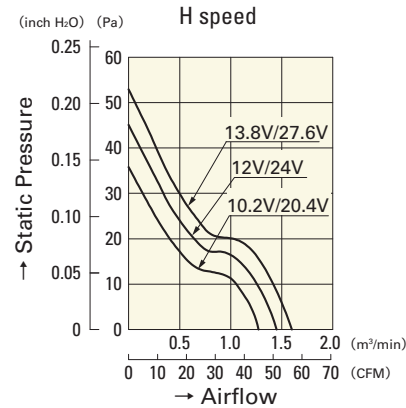
109P0912J401



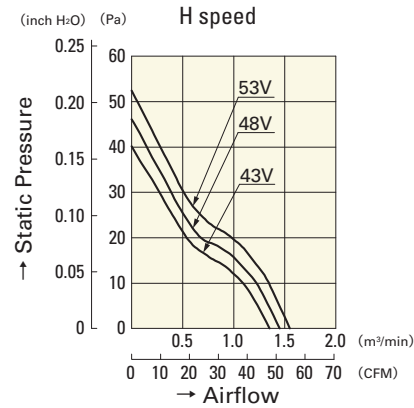
109P0912W401



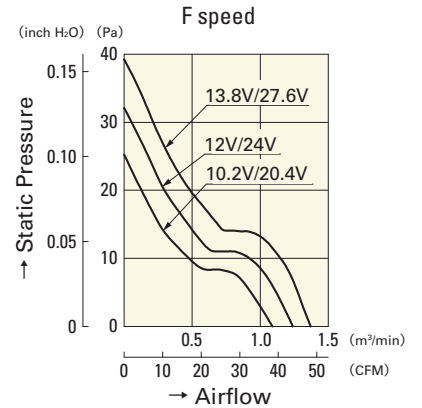
109P0924W401



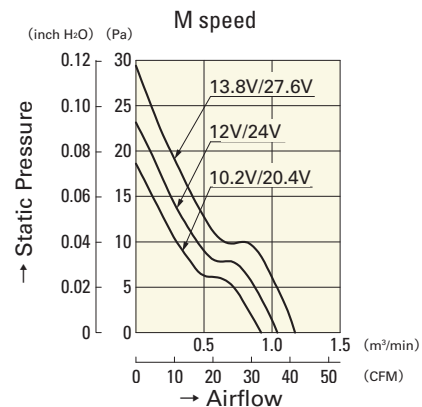
109P0912H401
109P0924H401



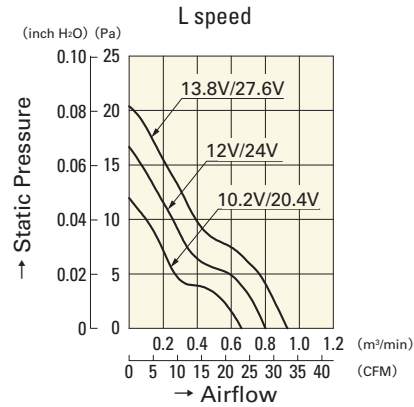
109P0948H401



109P0912F401
109P0924F401



109P0912M401
109P0924M401



109P0912L401
109P0924L401