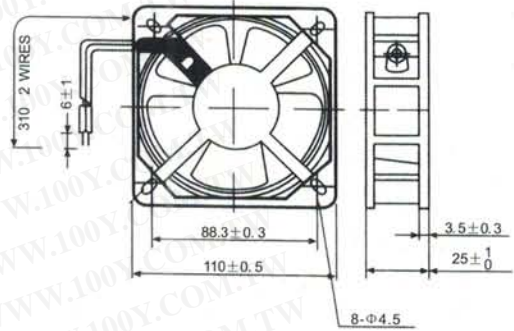


勝特力材料 886-3-5753170
勝特力电子(上海) 86-21-34970699
勝特力电子(深圳) 86-755-83298787
[Http://www.100y.com.tw](http://www.100y.com.tw)

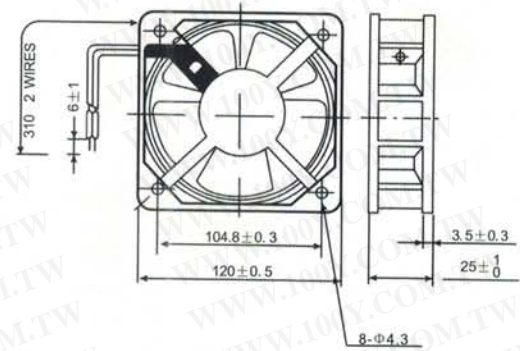
SAKAGUCHI®



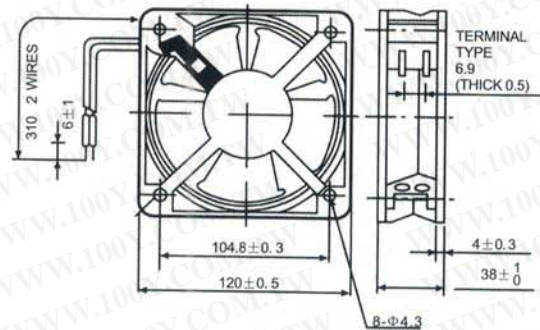
AC DC FANS COOLING FANS...



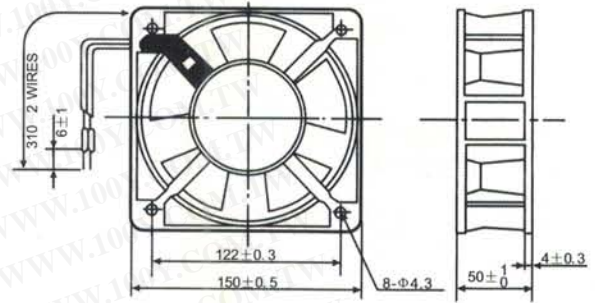
Model	Bearing System	Voltage VAC	Freq. Hz	Current A	Power W	Speed RPM	Noise dBA	Air Flow m ³ /min	pa
GH(S)11025HA1SL	S	110/120	50/60	0.2/0.18	17/15	2200/2500	47/49	1.25/1.45	
GH(S)11025HA1BL	B								
GH(S)11025HA2SL	S	220/240	50/60	0.1/0.09	17/15	2200/2500	47/49	1.25/1.45	
GH(S)11025HA2BL	B								



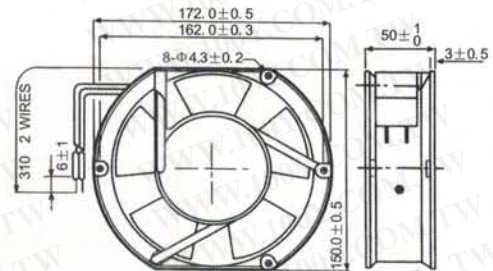
Model	Bearing System	Voltage VAC	Freq. Hz	Current A	Power W	Speed RPM	Noise dBA	Air Flow m ³ /min	pa
GH(S)12025HA1SL	S	110/120	50/60	0.2/0.18	17/15	2200/2500	47/49	1.6/1.8	
GH(S)12025HA1BL	B								
GH(S)12025HA2SL	S	220/240	50/60	0.1/0.09	17/15	2200/2500	47/49	1.6/1.8	
GH(S)12025HA2BL	B								



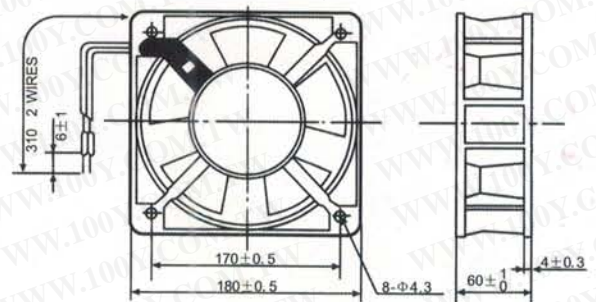
Model	Bearing System	Voltage VAC	Freq. Hz	Current A	Power W	Speed RPM	Noise dBA	Air Flow m ³ /min	pa
GH(S)12038HA1SL	S	110/120	50/60	0.28/0.26	20/18	2600/3000	48/50	2.3/2.7	
GH(S)12038HA1BL	B								
GH(S)12038HA2SL	S	220/240	50/60	0.14/0.13	20/18	2600/3000	48/50	2.3/2.7	
GH(S)12038HA2BL	B								



Model	Bearing System	Voltage VAC	Freq. Hz	Current A	Power W	Speed RPM	Noise dBA	Air Flow m ³ /min	pa
GH(S)15050HA1SL	S	110/120	50/60	0.4/0.45	35/38	2400/2800	55	5/6	
GH(S)15050HA1BL	B								
GH(S)15050HA2SL	S	220/240	50/60	0.22/0.21	35/38	2400/2800	55	5/6	
GH(S)15050HA2BL	B								



Model	Bearing System	Voltage VAC	Freq. Hz	Current A	Power W	Speed RPM	Noise dBA	Air Flow m ³ /min	pa
GH(S)17250HA1SL	S	110/120	50/60	0.4/0.45	35/38	2400/2800	55	5/6	
GH(S)17250HA1BL	B								
GH(S)17250HA2SL	S	220/240	50/60	0.22/0.21	35/38	2400/2800	55	5/6	
GH(S)17250HA2BL	B								



Model	Bearing System	Voltage VAC	Freq. Hz	Current A	Power W	Speed RPM	Noise dBA	Air Flow m ³ /min	pa
GH(S)18060HA1BL	B	110/120	50/60	0.7	50	2600	65	8.5	
GH(S)18060HA2BL	B	220/240	50/60	0.35	50	2600	65	8.5	

勝特力材料 886-3-5753170
 勝特力电子(上海) 86-21-34970699
 勝特力电子(深圳) 86-755-83298787
[Http://www.100y.com.tw](http://www.100y.com.tw)