



勝特力材料 886-3-5753170
勝特力电子(上海) 86-21-34970699
勝特力电子(深圳) 86-755-83298787
Http://www.100y.com.tw

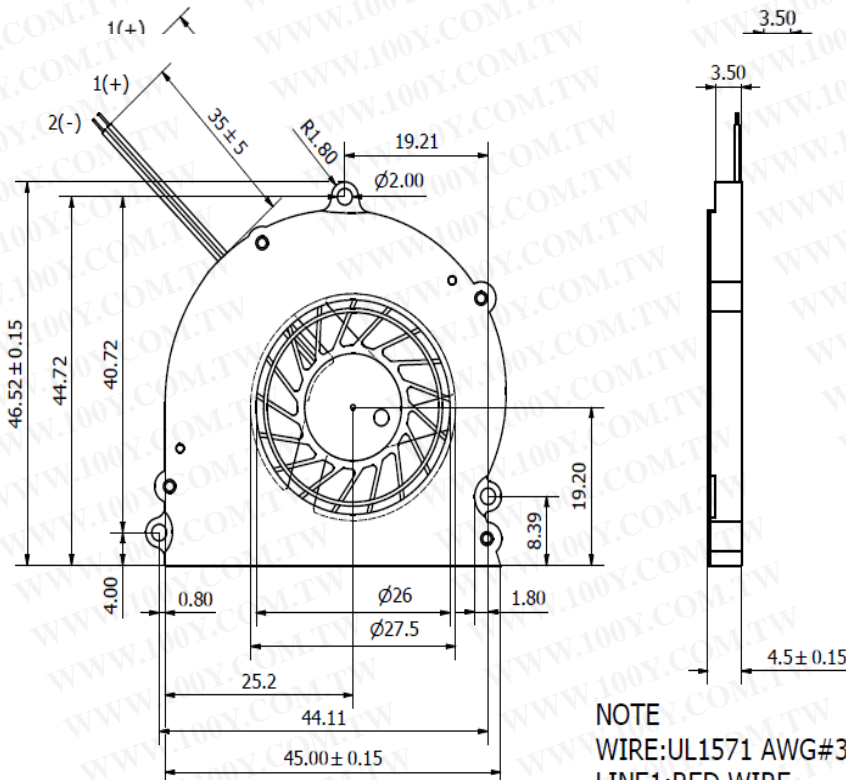
一、產品圖面/尺寸 (Drawings and Dimensions)

尺寸 DIMENSIONS

(單位 UNIT : mm)



ROTATION DIRECTION: COUNTER-CLOCKWISE



NOTE
WIRE:UL1571 AWG#30
LINE1:RED WIRE----- (+) +)
LINE2:BLACK WIRE----- (-) ·)



9001 : 2015

二、產品規格/特性 (Specification and Features)

規格 SPECIFICATIONS

| | | |
|------------------------------|--|---------------|
| 型號 Model Number | RFB4504 | |
| 品名 Product Name | 薄側流扇 Slim Blower | |
| 額定電壓 Rated Voltage (VDC) | 3.3 | 5.0 |
| 運轉電壓 Operating Voltage (VDC) | 2.8 ~ 3.6 | 4.5 ~ 5.5 |
| 額定電流 Rated Current (mA) | 95 (max:115) | 145 (max:165) |
| 轉速 Rotation Speed (RPM) | 4,500±20% | 6,000±20% |
| 風量 Air Flow (CFM) | 1.04 | 1.42 |
| 靜壓 Static Pressure (mmAq) | 5.66 | 10.3 |
| 噪音 Noise (dB(A)) at 1m | 21.2 | 30 |
| 絕緣強度 Insulation Resistance | 10MEGA. Ω Min. at 500VDC (between frame and (+) terminal) | |
| 耐壓強度 Dielectric Strength | 5mA Max. at 500VAC、60Hz、One Minute (between frame and (+) terminal) | |
| 壽命 Life Expectancy (hours) | 20,000 at 45°C | |
| 認證 Compliance | CE、RoHS | |
| 重量 Weight (g) | 7.83 | |
| 保護 Protection | <input checked="" type="checkbox"/> 鎖住保護 Lock rotor <input checked="" type="checkbox"/> 自動重啟 Auto Restart <input checked="" type="checkbox"/> 極性保護 Polarity | |

*規格視實際情況更動不作另行通知。Specifications subject to changes without notice.

**運作環境溫度 Operating Temperature : -10°C ~ +60°C

***儲存溫度 Storage Temperature : -20°C ~ +70°C

風量—靜壓圖 PERFORMANCE CURVE

